

**RNConsult WS - PersonInfoGroupService  
Cookbook  
Version 1.3**

This document is provided to you free of charge by the

**eHealth platform**

**Willebroekkaai 38 – 1000 Brussel  
38, Quai de Willebroeck – 1000 Bruxelles**

All are free to circulate this document with reference to the URL source.

# Table of contents

<b>Table of contents</b> .....	<b>2</b>
<b>1. Document management</b> .....	<b>4</b>
1.1 Document history .....	4
<b>2. Introduction</b> .....	<b>5</b>
2.1 Goal of the service .....	5
2.2 Goal of the document .....	5
2.3 External document references.....	5
<b>3. Support</b> .....	<b>6</b>
3.1 Helpdesk eHealth platform .....	6
3.1.1 Certificates.....	6
3.1.2 For issues in production .....	6
3.1.3 For issues in acceptance .....	6
3.1.4 For business issues .....	6
3.2 Status .....	6
3.3 Authorization from sectoral committee .....	6
<b>4. Global overview</b> .....	<b>7</b>
<b>5. Requirements</b> .....	<b>8</b>
5.1 WS-I Basic Profile 1.1 .....	8
5.2 Tracing.....	8
<b>6. Description of xml messages</b> .....	<b>9</b>
6.1 SearchPersonInformationHistory.....	9
6.1.1 Request.....	9
6.1.2 Response .....	11
6.2 Generic structure .....	13
6.2.1 PersonInformationHistoryResponseType.....	13
6.2.2 NamesInfoHistoryType .....	15
6.2.3 NationalitiesHistoryType .....	16
6.2.4 BirthsHistoryType .....	17
6.2.5 DeceasesHistoryType.....	17
6.2.6 GendersHistoryType .....	18
6.2.7 CivilStatesHistoryType .....	19
6.2.8 AddressesHistoryType .....	20
6.2.9 ResidentialAddressHistoryType .....	21
6.2.10 PlainAddressHistoryType.....	23
6.2.11 PlainAddressType .....	24
6.2.12 DiplomaticPostType.....	25
6.2.13 ContactAddressesHistoryType.....	26
6.2.14 AdministratorsHistoryType.....	28
6.2.15 SubregistersHistoryType.....	29
6.2.16 LocationType .....	30



6.2.17	PartnerType .....	31
6.2.18	JudgmentType .....	31
6.2.19	TranscriptionType .....	32
6.2.20	ActType .....	32
6.2.21	AnomaliesType .....	32
<b>7.</b>	<b>Risks and security.....</b>	<b>34</b>
7.1	Risks & safety .....	34
7.2	Security .....	34
7.2.1	Business security .....	34
7.2.2	Web service .....	34
7.2.3	The use of username, password and token.....	34
<b>8.</b>	<b>Status.....</b>	<b>35</b>
8.1	Success response .....	35
8.2	Business errors.....	35
8.3	Technical errors.....	36
<b>9.</b>	<b>Test and release procedure.....</b>	<b>38</b>
9.1	Procedure.....	38
9.1.1	Initiation .....	38
9.1.2	Development and test procedure .....	38
9.1.3	Release procedure.....	38
9.1.4	Operational follow-up .....	38
<b>10.</b>	<b>Example .....</b>	<b>39</b>
10.1.1	Request.....	39
10.1.2	Success response .....	39
10.1.3	Business error response .....	40
10.1.4	Technical error response .....	40
<b>11.</b>	<b>Test cases.....</b>	<b>42</b>
11.1	Historical data about a cancelled person cancelled.....	42
11.2	Historical data about a replaced person .....	43
11.2.1	Historical data about a person that does NOT exist in CBSS register .....	45
11.2.2	Historical data about a person with an invalid identifier .....	46

To the attention of: “IT expert” willing to integrate this web service.



# 1. Document management

## 1.1 Document history

Version	Date	Author	Description of changes / remarks
1.0	08/06/2020	eHealth platform	Initial version
1.1	20/08/2020	eHealth platform	Schema have been updated to be compliant with the last version of xsd deployed
1.2	15/10/2020	eHealth platform	Add new section: test cases
1.3	20/07/2022	eHealth platform	§ 3.2 Status (added) § 5.1.3 Tracing (updated)



## 2. Introduction

### 2.1 Goal of the service

The service PersonInfoGroupService aims at retrieving specific information about a person, such as historical information for the name, nationality, civil state, gender, address, contact address (only for a person registered in BIS registry), administrator, sub registry (only for a person registered in National Registry (RN) and current information about birth and decease.

### 2.2 Goal of the document

This document is not a development or programming guide for internal applications. Instead, it provides functional and technical information and allows an organization to integrate and use the eHealth platform service.

However, in order to interact in a smooth, homogeneous and risk controlled way with a maximum of partners, these partners must commit to comply with the requirements of specifications, data format and release processes of the eHealth platform as described in this document.

Technical and business requirements must be met in order to allow the integration and validation of the eHealth platform service in the client application.

### 2.3 External document references

All documents can be found through the internet. They are available to the public, but not supported by the eHealth platform.

ID	Title	Source	Date	Author
1	Basic Profile Version 1.1	<a href="http://www.ws-i.org/Profiles/BasicProfile-1.1-2004-08-24.html">http://www.ws-i.org/Profiles/BasicProfile-1.1-2004-08-24.html</a>	24/08/2004	Web Services Interoperability Organization



## 3. Support

### 3.1 Helpdesk eHealth platform

#### 3.1.1 Certificates

In order to access the secured eHealth platform environment you have to obtain an eHealth platform certificate, used to identify the initiator of the request. In case you do not have one, please consult the chapter about the eHealth Certificates on the portal of the eHealth platform

- <https://www.ehealth.fgov.be/ehealthplatform/nl/ehealth-certificaten>
- <https://www.ehealth.fgov.be/ehealthplatform/fr/certificats-ehealth>

For technical issues regarding eHealth platform certificates

- Acceptance: [acceptance-certificates@ehealth.fgov.be](mailto:acceptance-certificates@ehealth.fgov.be)
- Production: [support@ehealth.fgov.be](mailto:support@ehealth.fgov.be)

#### 3.1.2 For issues in production

eHealth platform contact centre:

- Phone: 02 788 51 55 (on working days from 7 am till 8 pm)
- Mail: [support@ehealth.fgov.be](mailto:support@ehealth.fgov.be)
- Contact Form :
  - <https://www.ehealth.fgov.be/ehealthplatform/nl/contact> (Dutch)
  - <https://www.ehealth.fgov.be/ehealthplatform/fr/contact> (French)

#### 3.1.3 For issues in acceptance

[Integration-support@ehealth.fgov.be](mailto:Integration-support@ehealth.fgov.be)

#### 3.1.4 For business issues

- regarding an existing project: the project manager in charge of the application or service
- regarding a new project or other business issues: [info@ehealth.fgov.be](mailto:info@ehealth.fgov.be)

### 3.2 Status

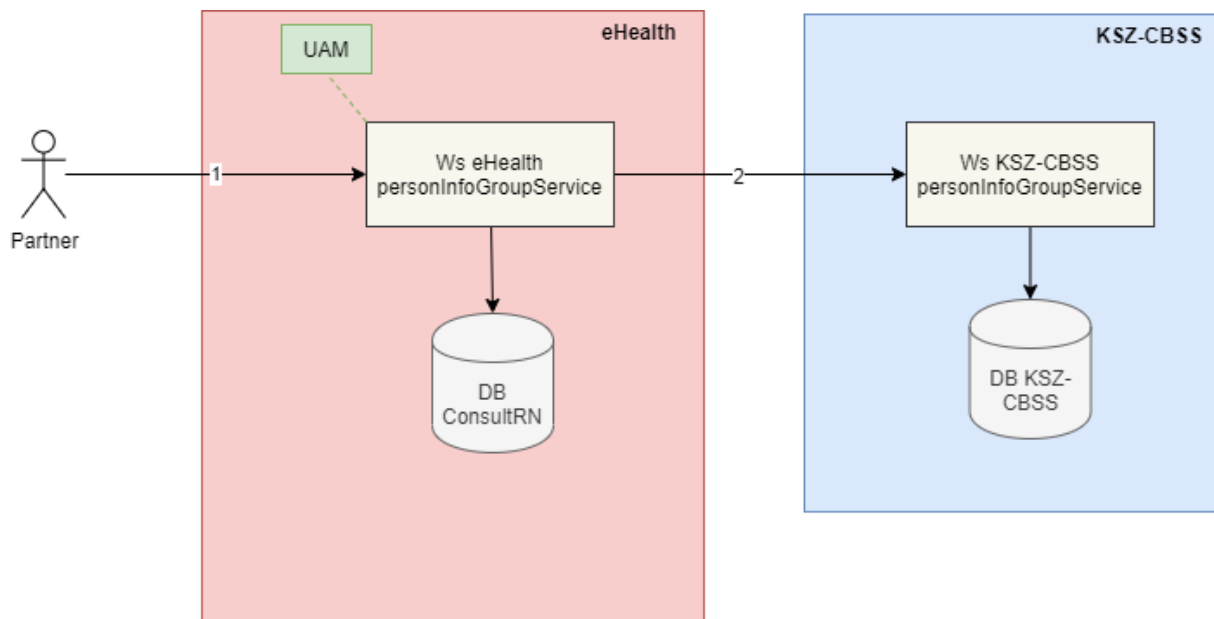
The website <https://status.ehealth.fgov.be> is the monitoring and information tool for the ICT functioning of the eHealth services that are partners of the Belgian eHealth system.

### 3.3 Authorization from sectoral committee

The use of ConsultRN requires authorisation from the sectorial committee. Only then you will receive an applicationID that will be used to access with specific rights to this service.



## 4. Global overview



- 1) The institution (identified by a CBE number, INAMI or EHP number) uses its own software to authenticate itself to the eHealth platform and sends a request to the eHealth PersonInfoGroupService service.

To be able to access the service, the eHealth platform performs several checks:

- Authentication of the applicant via their eHealth certificate
- The applicationID is well configured in the ConsultRN database and linked to the organization

**Note:** the ApplicationID is configured via the Webapp authorization manager by a member of the Security service.

- 2) Once the verification has been performed, the eHealth request is transformed into a CBSS request and sent to the KSZ-BCSS PersonInfoGroupService service.
- 3) eHealth returns information about the individual to the institution.



## 5. Requirements

The call to the service *PersonInfoGroupService* is subject to several conditions:

- An authorization of the sectoral committee and the compliance with the integration procedure. By applying this procedure, the eHealth platform will provide you with your **applicationID** used by the eHealth platform to grant specific rights.
- An eHealth certificate, used to identify the initiator of the request. If you do not have one, please refer to the section “Basisdiensten” (NL) or “Services de base” (F) on the portal of the eHealth platform at <https://www.ehealth.fgov.be/ehealthplatform/>
- Time synchronisation: the servers of the eHealth platform are synchronized to a pool of global servers using NTP protocol. Partner’s clock cannot be offsetted by more than 60 seconds against eHealth’s or the request could be discarded.

### 5.1 WS-I Basic Profile 1.1

Your request must be WS-I compliant (See Chap 2.3 - External Document Ref).

### 5.2 Tracing

To use this service, the request SHOULD contain the following two http header values (see RFC <https://datatracker.ietf.org/doc/html/rfc7231#section-5.5.3>):

1. User-Agent: information identifying the software product and underlying technical stack/platform. It MUST include the minimal identification information of the software such that the emergency contact (see below) can uniquely identify the component.
  - a. Pattern: {minimal software information}/{version} {minimal connector information}/{connector-package-version}
  - b. Regular expression for each subset (separated by a space) of the pattern: `[[a-zA-Z0-9-√]*√[0-9azA-Z-_*]]*`
  - c. Examples:  
User-Agent: myProduct/62.310.4 Technical/3.19.0  
User-Agent: Topaz-XXXX/123.23.X freeconnector/XXXXX.XXX
2. From: email-address that can be used for emergency contact in case of an operational problem.  
Examples:  
From: [info@mycompany.be](mailto:info@mycompany.be)



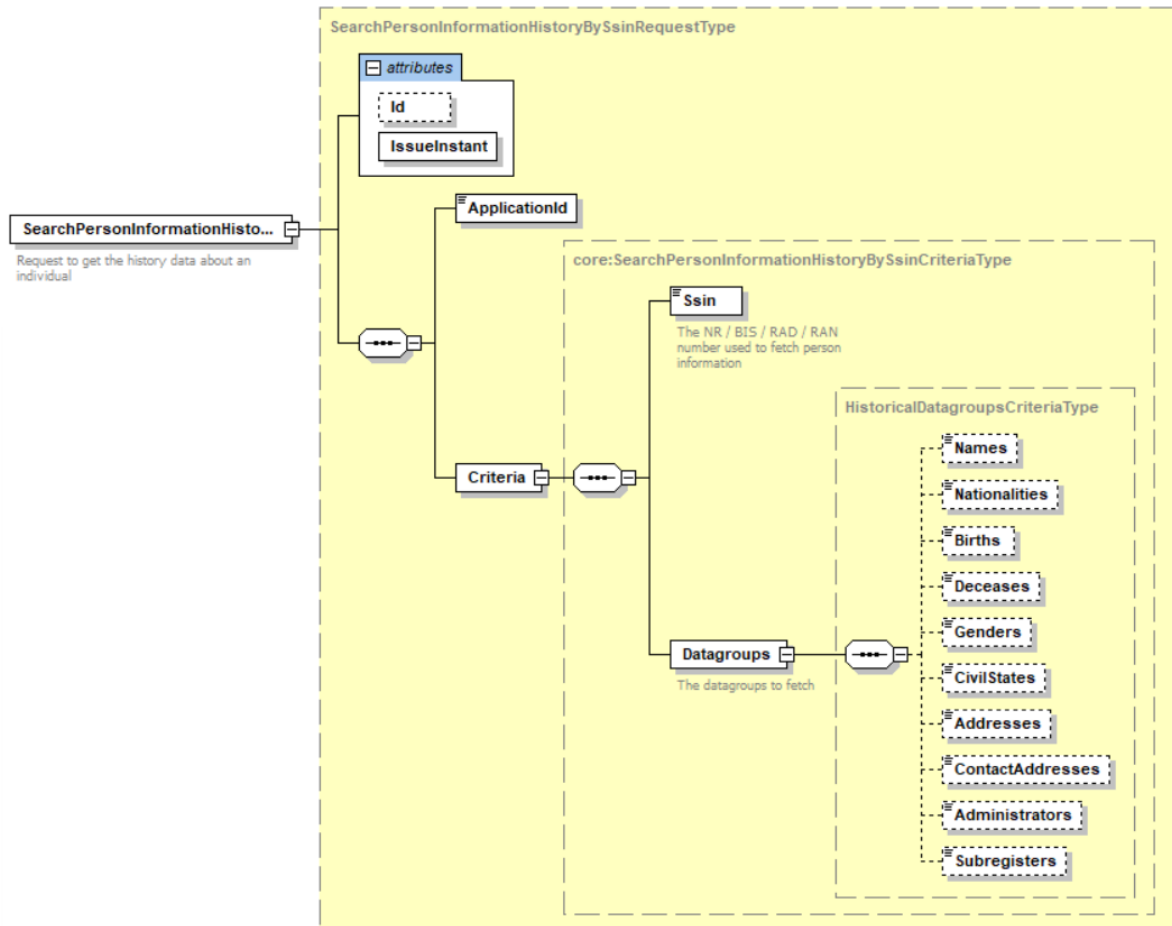


## 6. Description of xml messages

### 6.1 SearchPersonInformationHistory

This method is used to get current and/or historical information about a person

#### 6.1.1 Request



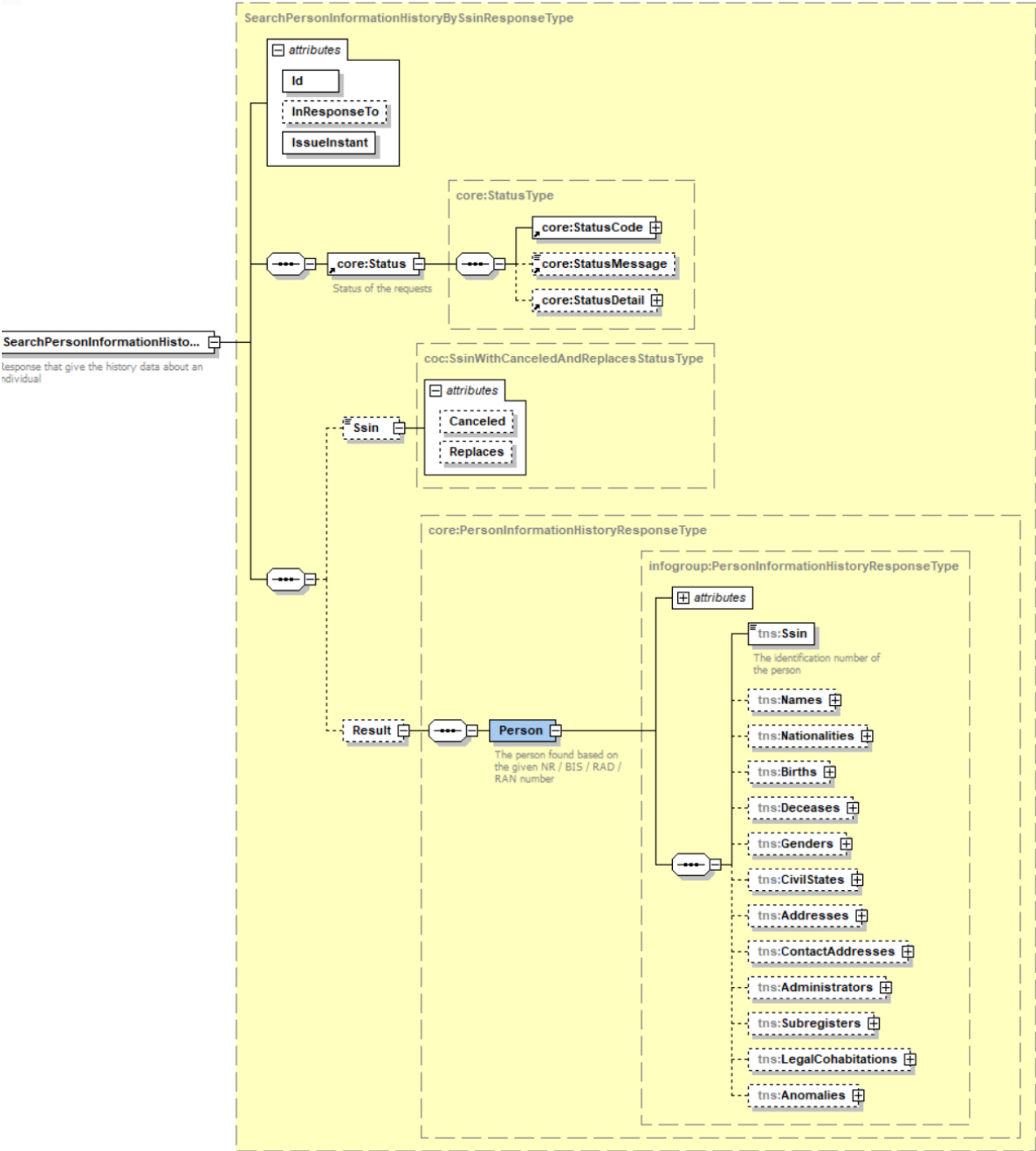
Field name	Description
@Id	This attribute contains the number identifying the request. <u>Remark</u> : this field is optional but we recommend adding a identifier to facilitate the follow-up in case of business/technical issue.
@issue Instant	This attribute contains the timestamp of the request.
ApplicationID	The ApplicationID contains a number given by eHealth identifying the organization and the authorization to this organization for a certain purpose. (Same format as an SSIN).

Criteria/Ssin	<p>This field contains the SSIN number of the person to request information.</p> <p>Structure which must be respected</p> <pre>&lt;xsd:pattern value="[0-9][0-9](((0[0-9]) ([1][0-2]))((0-2)[0-9]) ([3][0-1]))((0-9){2}[1-9]) ([0-9][1-9][0-9]) ([1-9][0-9]{2}))((0-8)[0-9]) ([9][0-7]))"&gt;   &lt;xsd:annotation&gt;     &lt;xsd:documentation xml:lang="FR"&gt;Registre National&lt;/xsd:documentation&gt;   &lt;/xsd:annotation&gt;   &lt;xsd:documentation xml:lang="NL"&gt;Rijksregister&lt;/xsd:documentation&gt; &lt;/xsd:annotation&gt; &lt;/xsd:pattern&gt; &lt;xsd:pattern value="[0-9][0-9](((2[0-9]) ([3][0-2]))((0-2)[0-9]) ([3][0-1]))[0-9]{3}((0-8)[0-9]) ([9][0-7]))"&gt;   &lt;xsd:annotation&gt;     &lt;xsd:documentation xml:lang="FR"&gt;Registre Bis : numero Bis&lt;/xsd:documentation&gt;     &lt;xsd:documentation xml:lang="NL"&gt;Bis register : Bisnummer&lt;/xsd:documentation&gt;   &lt;/xsd:annotation&gt; &lt;/xsd:pattern&gt; &lt;xsd:pattern value="[0-9][0-9](((4[0-9]) ([5][0-2]))((0-2)[0-9]) ([3][0-1]))[0-9]{3}((0-8)[0-9]) ([9][0-7]))"&gt;   &lt;xsd:annotation&gt;     &lt;xsd:documentation xml:lang="FR"&gt;Registre Bis : numero TER&lt;/xsd:documentation&gt;     &lt;xsd:documentation xml:lang="NL"&gt;Bisregister : Ternummer&lt;/xsd:documentation&gt;   &lt;/xsd:annotation&gt; &lt;/xsd:pattern&gt;</pre>
Criteria/Datagroups/Names	This field specifies whether you want to retrieve the history about the name.
Criteria/Datagroups/Nationalities	This field specifies whether you want to retrieve the history about the nationality.
Criteria/Datagroups/Births	This field specifies whether if you want ti retrieve the current information about the birth.
Criteria/Datagroups/Deceases	This field specifies whether you want to retrieve the current information about the decease.
Criteria/Datagroups/Genders	This field specifies whether you want to retrieve the history about the gender.
Criteria/Datagroups/CivilStates	This field specifies whether you want to retrieve the history about the civil state.
Criteria/Datagroups/Addresses	This field specifies whether you want to retrieve the history about the address.
Criteria/Datagroups/ContactAddresses	<p>This field specifies whether you want to retrieve the history about the foreign address history.</p> <p>Remark: only for a person present in the BIS registry</p>
Criteria/Datagroups/Administrators	This field specifies whether you want to retrieve the history about the data manager (municipality or country).



Criteria/Datagroups/Subregisters	This field specifies whether you want to retrieve the history about a sub-registry of RN. <b>Remark:</b> only for a person present in the RN.
----------------------------------	--

### 6.1.2 Response



Field name	Description
@Id	This attribute contains the number identifying the response.

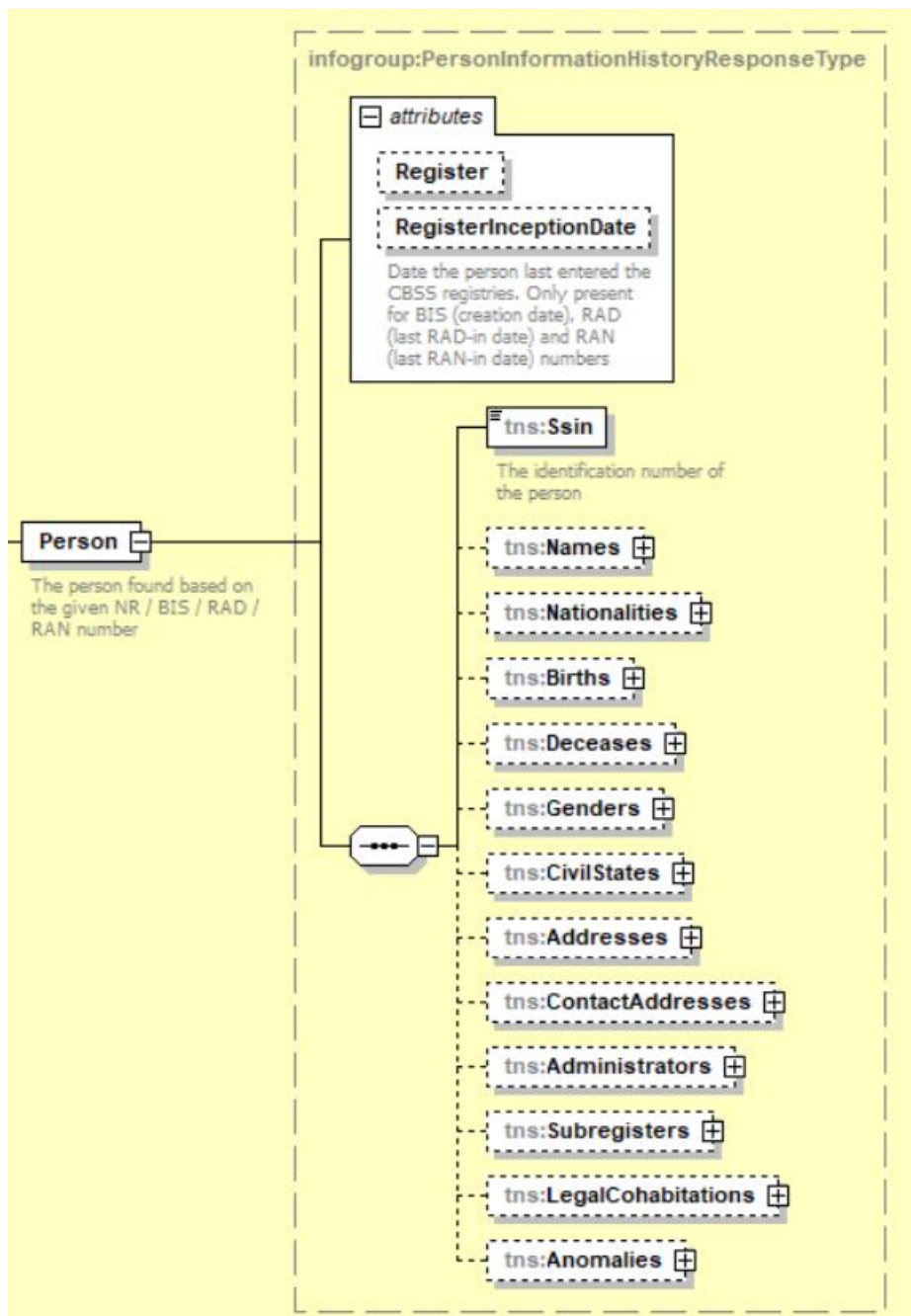


@InResponseTo	This attribute contains the number identifying the request.
@IssueInstant	This attribute contains the timestamp of the response.
Status	This block contains information about the status of the response returned (See section 8).
Ssin	This field contains the current SSIN number of the person: <ul style="list-style-type: none"> <li>• If a SSIN <b>is not</b> replaced by another one, the value will be the SSIN requested</li> <li>• If a SSIN <b>is</b> replaced by another one, the value will be the current SSIN. The previous SSIN number will be present in the attribute <i>Ssin/@Replaces</i></li> </ul>
Ssin/@Canceled	This field contains the value TRUE if the SSIN number has been cancelled. Otherwise, it has the value FALSE.
Ssin/@Replaces	This field contains the previous SSIN number of the person if this one has been replaced.



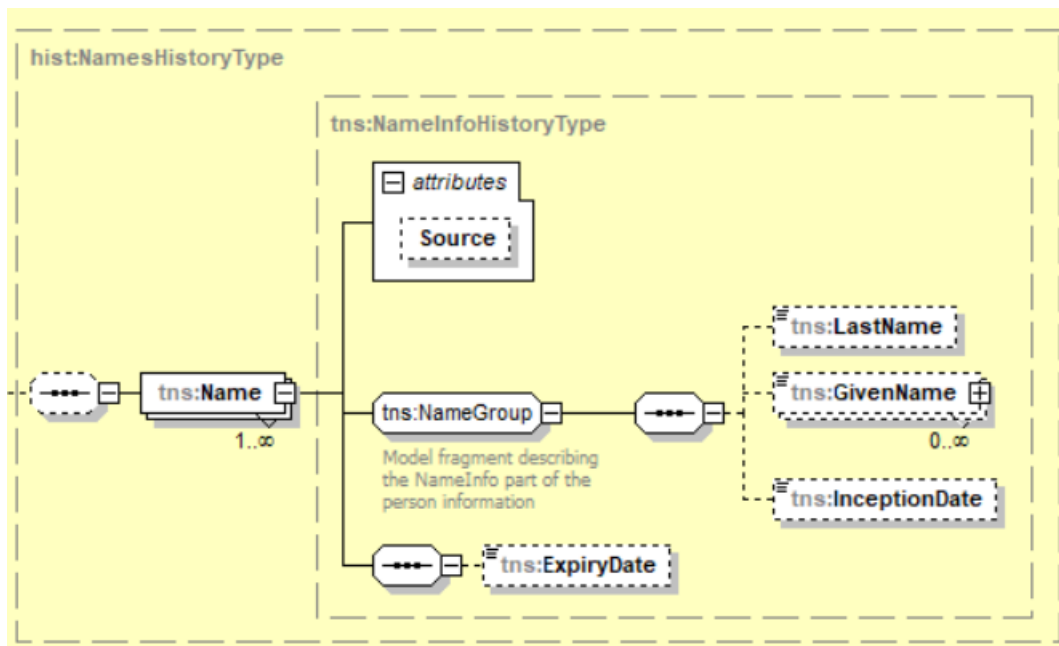
## 6.2 Generic structure

### 6.2.1 PersonInformationHistoryResponseType



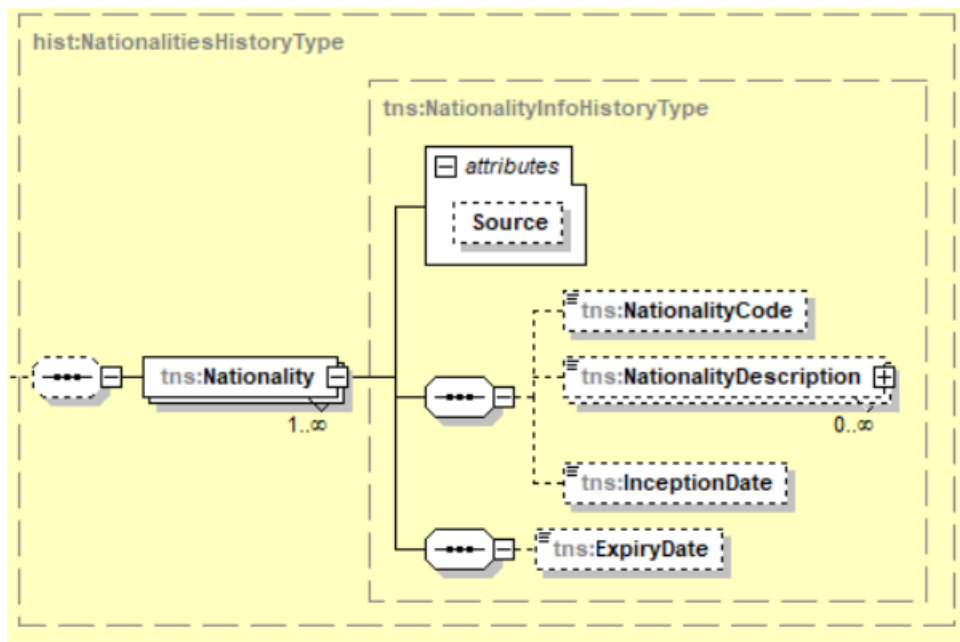
Field name	Description
@Register	This attribute contains the identifier of the registry which is the authentic source of the legal data of the person. Possible values are <ul style="list-style-type: none"> <li>• 'RN' : National registry</li> <li>• 'RAD' : Radiated registry</li> <li>• 'BIS' : Bis registry</li> <li>• 'RAN' : Cancelled registry</li> </ul>
@RegisterInceptionDate	This attribute contains the registration date in BCSS registry. Remark: This field is not present for RN numbers
Ssin	This field contains the current SSIN number.
Names	This block contains information about last name, first names. (See section: 6.2.2)
Nationalities	This block contains information about nationalities. (See section: 6.2.3)
Births	This block contains information about the birth. (See section: 6.2.4)
Deceases	This block contains information about the decease. (See section: 6.2.5)
Genders	This block contains information about the gender. (See section: 6.2.6)
CivilStates	This block contains information about the civil state. (See section: 6.2.7)
Addresses	This block contains information about the address. (See section: 6.2.8)
ContactAddresses	This block contains information about the contact address. Remark: This field is present only for person known in BCSS registry (See section: 6.2.13)
Administrators	This block contains information about the data manager (municipality or country) (See section: 6.2.14)
Subregisters	This block contains information about the sub-registry of RN. <u>Remark:</u> This field is shown when the person is present in the RN (See section: 6.2.15)
Anomalies	This block contains information about data inconsistency returned by KSZ-BCSS. (See section: 6.2.21)

## 6.2.2 NamesInfoHistoryType



Field name	Description
@Source	This attribute contains the identifier of the registry which is the authentic source of the legal data of the person. Possible values are <ul style="list-style-type: none"> <li>• 'RN' : National registry</li> <li>• 'RAD' : Radiated registry</li> <li>• 'BIS' : Bis registry</li> </ul> 'KAN' : Cancelled registry
Name/Lastname	This field contains the last name.
Name/GivenName[@sequence]	This field contains the first name and the middle name(s).
InceptionDate	This field contains the inception date of the information.
ExpiryDate	This field contains the expiry date of the information.

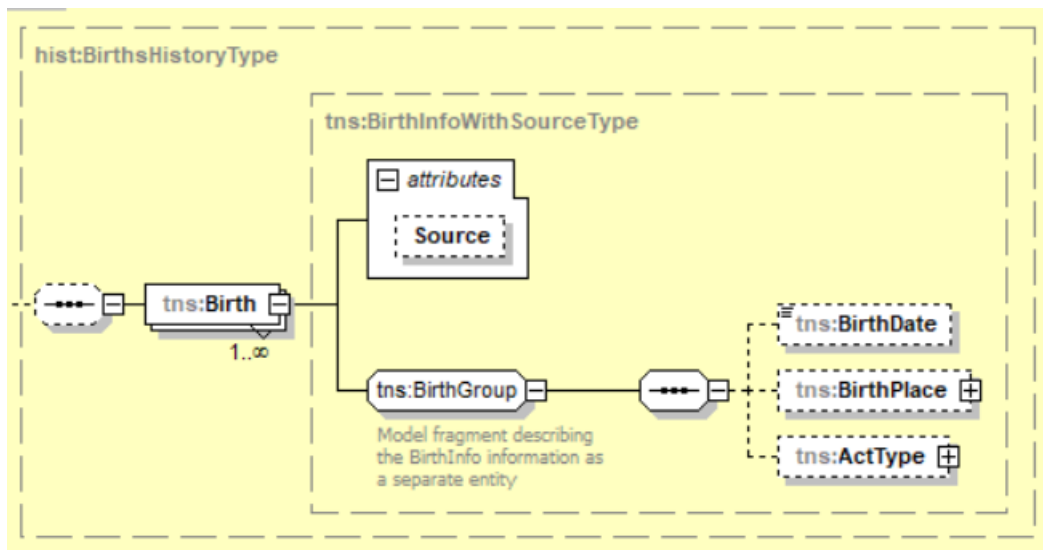
### 6.2.3 NationalitiesHistoryType



Field name	Description
@Source	This attribute contains the identifier of the registry which is the authentic source of the legal data of the person. Possible values are <ul style="list-style-type: none"> <li>• 'RN' : National registry</li> <li>• 'RAD' : Radiated registry</li> <li>• 'BIS' : Bis registry</li> </ul> 'RAN' : Cancelled registry
NationalityCode	This field contains the NIS nationality code.
NationalityDescription	This field contains the nationality description in different languages.
InceptionDate	This field contains the inception date of the information.
ExpiryDate	This field contains the expiration date of the information.

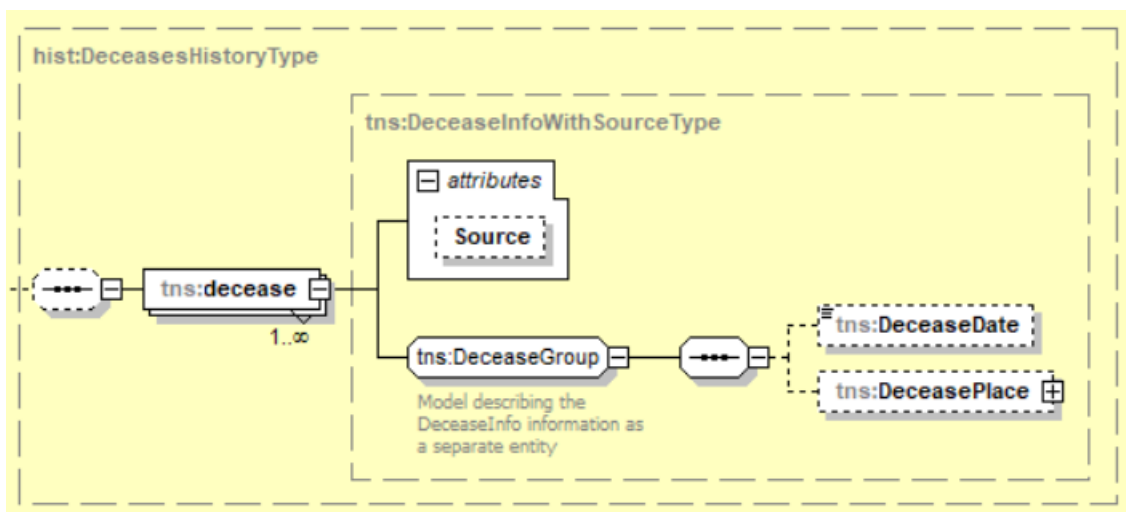


## 6.2.4 BirthsHistoryType



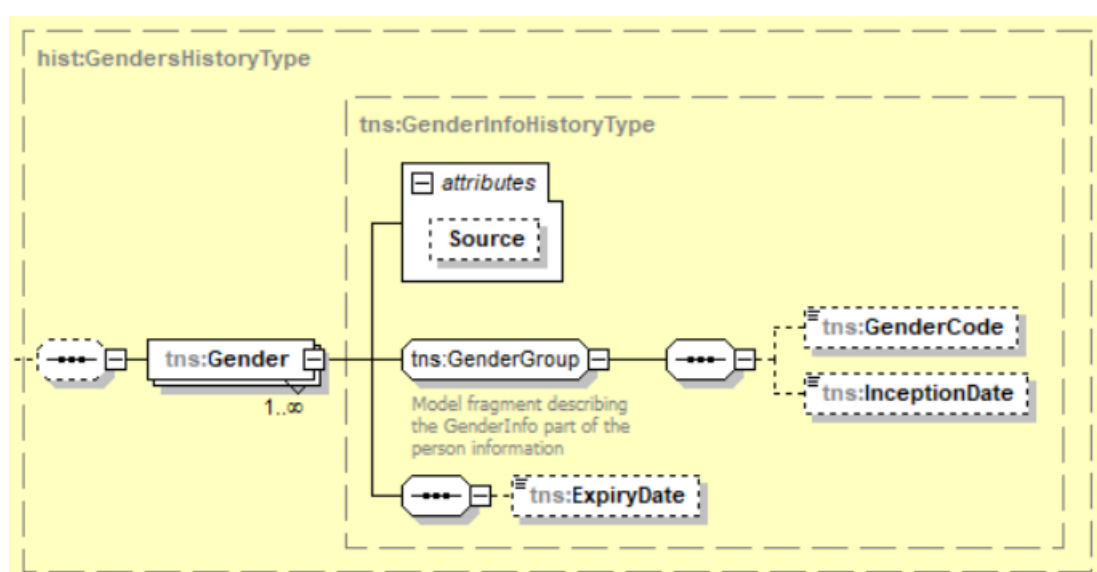
Field name	Description
@Source	This attribute contains the identifier of the registry which is the authentic source of the legal data of the person. Possible values are <ul style="list-style-type: none"> <li>• 'RN' : National registry</li> <li>• 'RAD' : Radiated registry</li> <li>• 'BIS' : Bis registry</li> </ul> 'KAN' : Cancelled registry
Birthdate	This field contains the birth date.
Birthplace	This block contains the information about the birth place. (See section: 6.2.16)
ActType	This block contains the type of evidence. (See section: 6.2.20)

## 6.2.5 DeceasesHistoryType



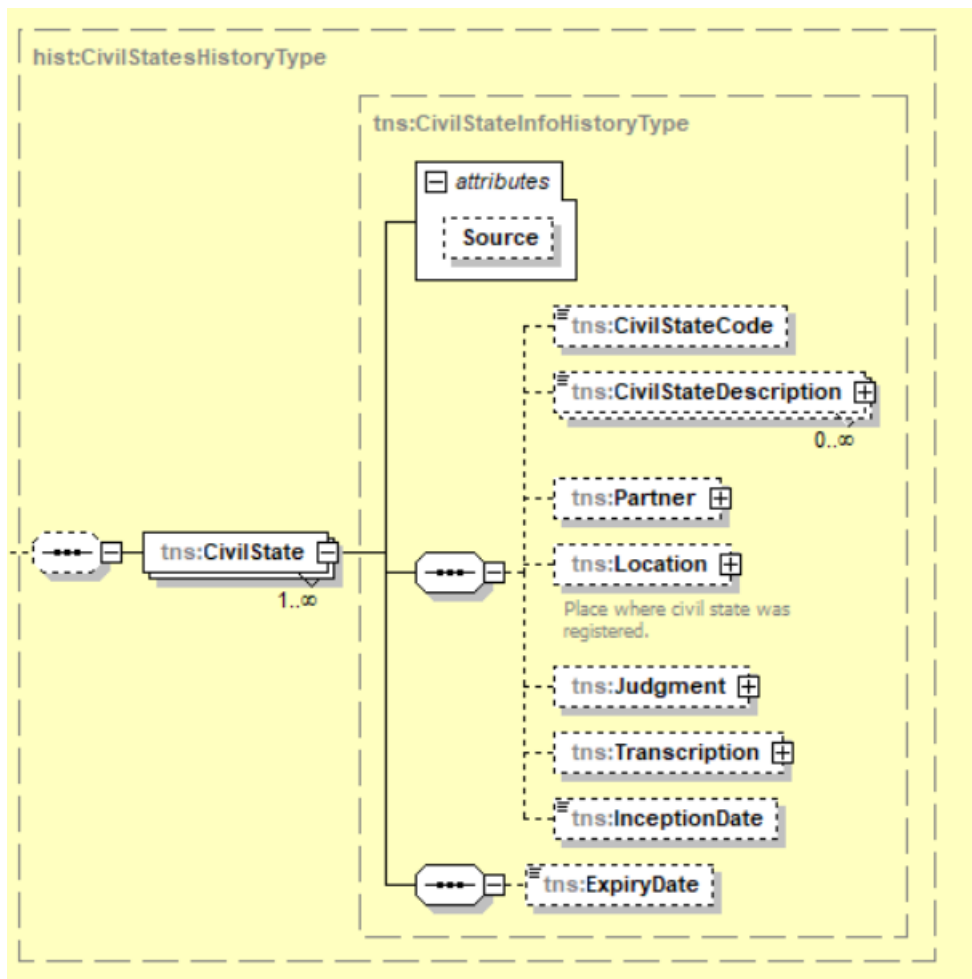
Field name	Description
@Source	This attribute contains the identifier of the registry which is the authentic source of the legal data of the person. Possible values are <ul style="list-style-type: none"> <li>'RN' : National registry</li> <li>'RAD' : Radiated registry</li> <li>'BIS' : Bis registry</li> </ul> 'KAN' : Cancelled registry
DeceaseDate	This field contains the decease date.
DeceasePlace	This field contains the decease place. (See section: 6.2.16)

### 6.2.6 GendersHistoryType



Field name	Description
@Source	This attribute contains the identifier of the registry which is the authentic source of the legal data of the person. Possible values are <ul style="list-style-type: none"> <li>'RN' : National registry</li> <li>'RAD' : Radiated registry</li> <li>'BIS' : Bis registry</li> </ul> 'KAN' : Cancelled registry
GenderCode	This field contains the sex of the person. Values are: <ul style="list-style-type: none"> <li>'M': Male</li> <li>'F': Female</li> </ul>
InceptionDate	This field contains the inception date of the information.
ExpiryDate	This field contains the expiration date of the information.

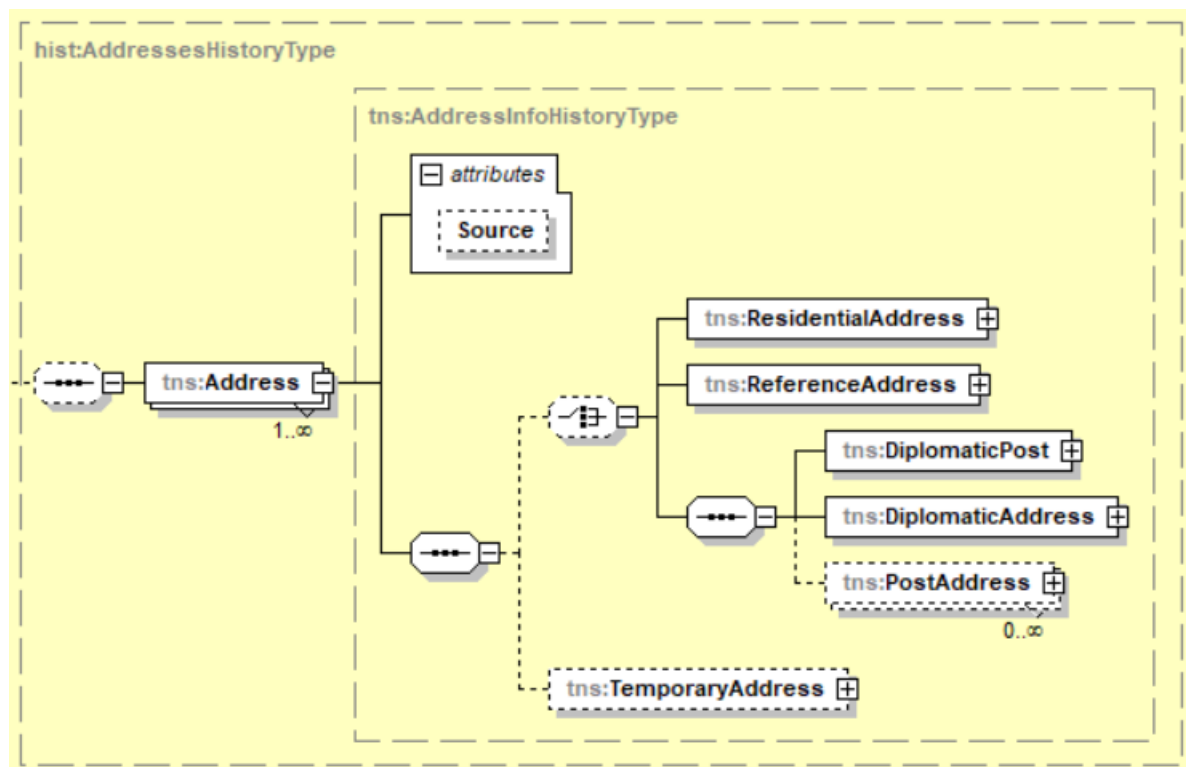
## 6.2.7 CivilStatesHistoryType



Field name	Description
@Source	This attribute contains the identifier of the registry which is the authentic source of the legal data of the person. Possible values are <ul style="list-style-type: none"> <li>• 'RN' : National registry</li> <li>• 'RAD' : Radiated registry</li> <li>• 'BIS' : Bis registry</li> </ul> 'RAN' : Cancelled registry
CivilstateCode	This field contains the civil state code.
Partner	This block contains information about the partner (marriage, divorce,...). (See section: 6.2.17)
Location	This block contains the place of the civil state. (See section: 6.2.16)
Judgment	This block contains the data relating to the judgment. (See section: 6.2.18)
Transcription	This block contains the date relating to the transcription of the judgment. (See section: 6.2.19)

InceptionDate	This field contains the inception date of the information.
ExpiryDate	This field contains the expiration date of the information.

## 6.2.8 AddressesHistoryType

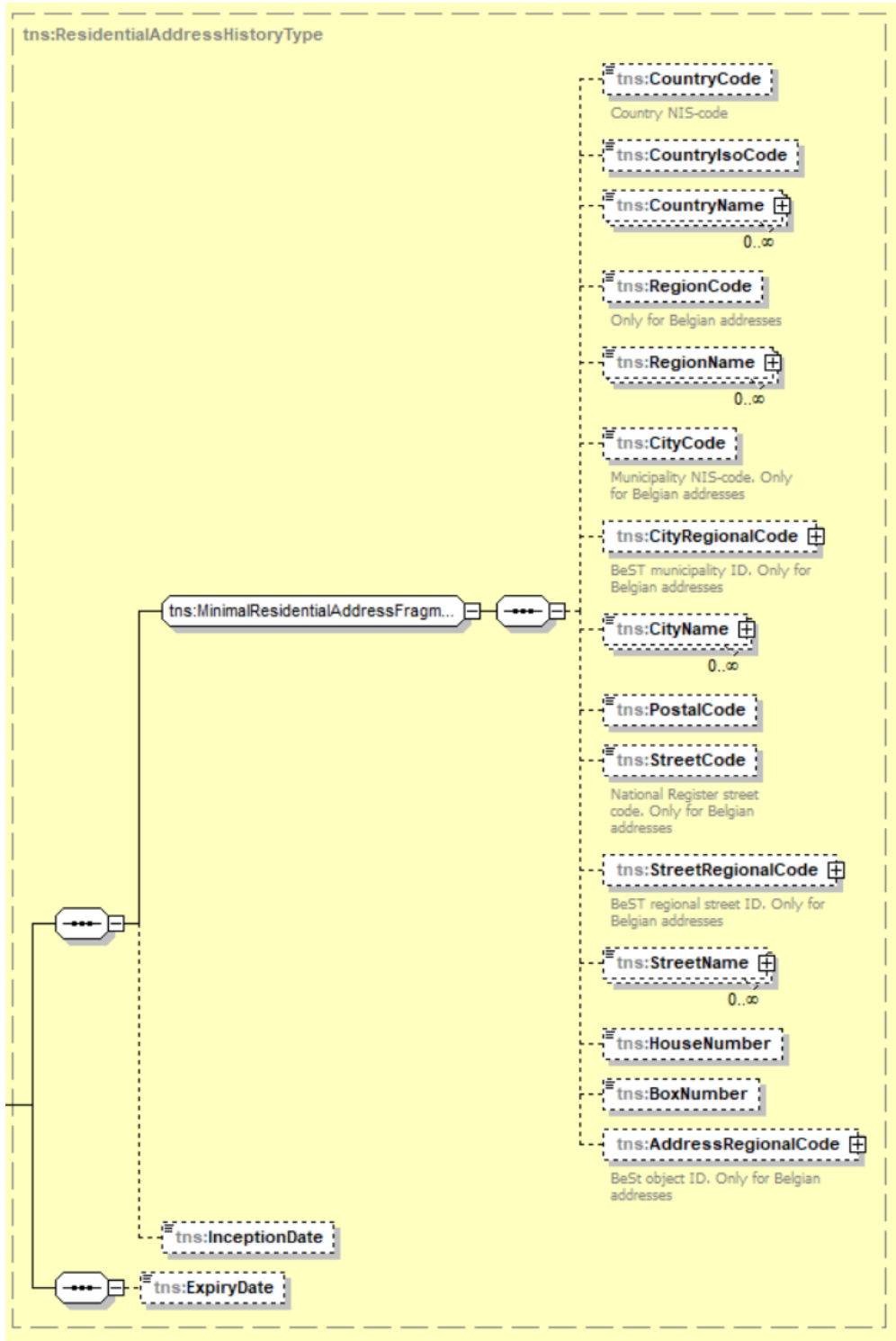


Field name	Description
@Source	This attribute contains the identifier of the registry which is the authentic source of the legal data of the person. Possible values are <ul style="list-style-type: none"> <li>• 'RN' : National registry</li> <li>• 'RAD' : Radiated registry</li> <li>• 'BIS' : Bis registry</li> </ul> 'KAN' : Cancelled registry
ResidentialAddress	This block contains the residential address in Belgium or abroad. (See section 6.2.9)
ReferenceAddress	This block contains the reference address in Belgium or abroad. (See section 6.2.9)
DiplomaticPost	This block contains the data of the diplomatic address registered abroad. (See section 6.2.12)
DiplomaticAddress	This block contains the address registered via the diplomatic post. (See section 6.2.11)
PostAddress	This block contains the postal address provided for people residing abroad. (See section 6.2.11)

TemporaryAddress

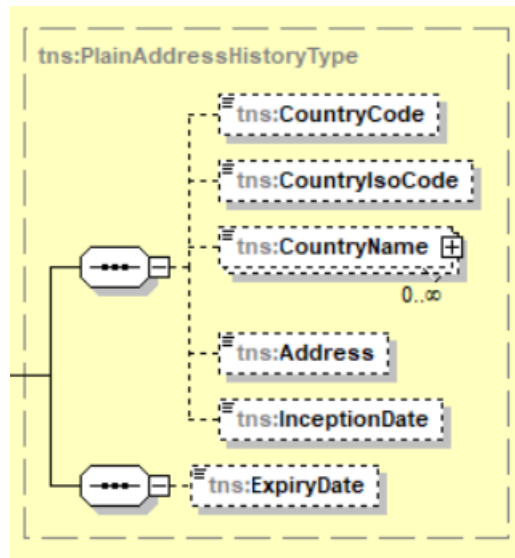
This block contains the temporary address in Belgium or abroad. (See section 6.2.11)

## 6.2.9 ResidentialAddressHistoryType



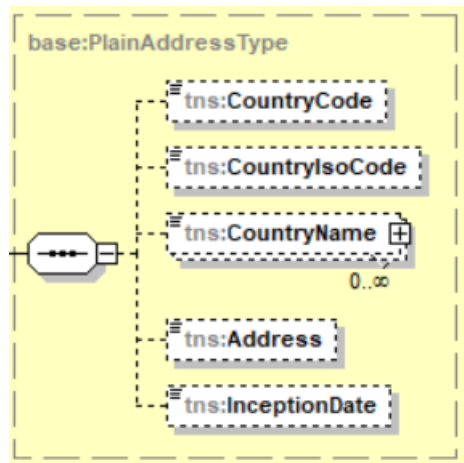
Field name	Description	Abroad	Belgian Current	Belgian BeST
CountryCode	Country code of the country (NIS code)	✓	150	150
CountryIsoCode	The 2-letter ISO code of the country (ISO 3166 alpha-2)	✓	✓	✓
CountryName	Country name	✓	✓	✓
RegionCode	Region code of the region			✓
RegionName	Region name			✓
CityCode	Municipality code (NIS code)		✓	
CityRegionalCode	Municipality name			✓
CityName	City name	✓	✓	✓
PostalCode	Postal code	✓	✓	✓
StreetCode	Street code		✓	
StreetRegionalCode	Street code assigned by National Registry			✓
StreetName	Street name	✓	✓	✓
HouseNumber	House number	✓	✓	✓
BoxNumber	Box number	✓	✓	✓
AddressRegionalCode	Unique identification number of the address			✓
InceptionDate	Data inception date	✓	✓	✓
ExpiryDate	Data expiration date	✓	✓	✓

## 6.2.10 PlainAddressHistoryType



Field name	Description	Abroad	Belgian Current	Belgian BeST
CountryCode	Country code of the country (NIS code)	✓	150	150
CountryIsoCode	The 2-letter ISO code of the country. (ISO 3166 alpha-2)	✓	✓	✓
CountryName	Country name	✓	✓	✓
Address(unstructured)	Address unstructured	✓	✓	✓
InceptionDate	Data inception date	✓	✓	✓
ExpiryDate	Data expiration date	✓	✓	✓

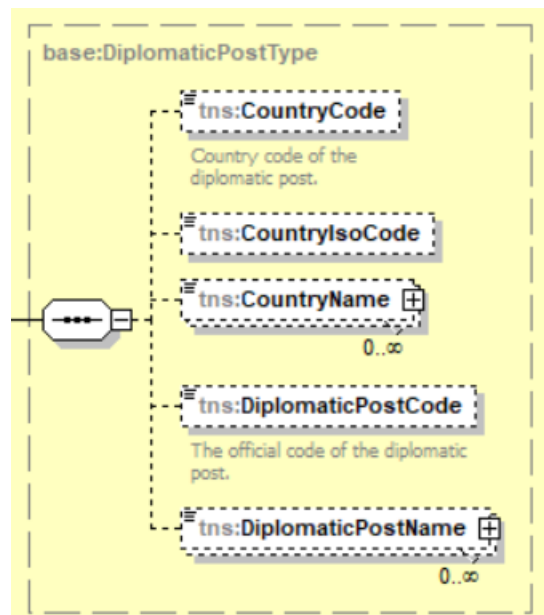
## 6.2.11 PlainAddressType



Field name	Description	Abroad	Belgian Current	Belgian BeST
CountryCode	Country code of the country (NIS code)	✓	150	150
CountryIsoCode	The 2-letter ISO code of the country (ISO 3166 alpha-2)	✓	✓	✓
CountryName	Country name	✓	✓	✓
Address(unstructured)	Address unstructured	✓	✓	✓
InceptionDate	Data inception date	✓	✓	✓

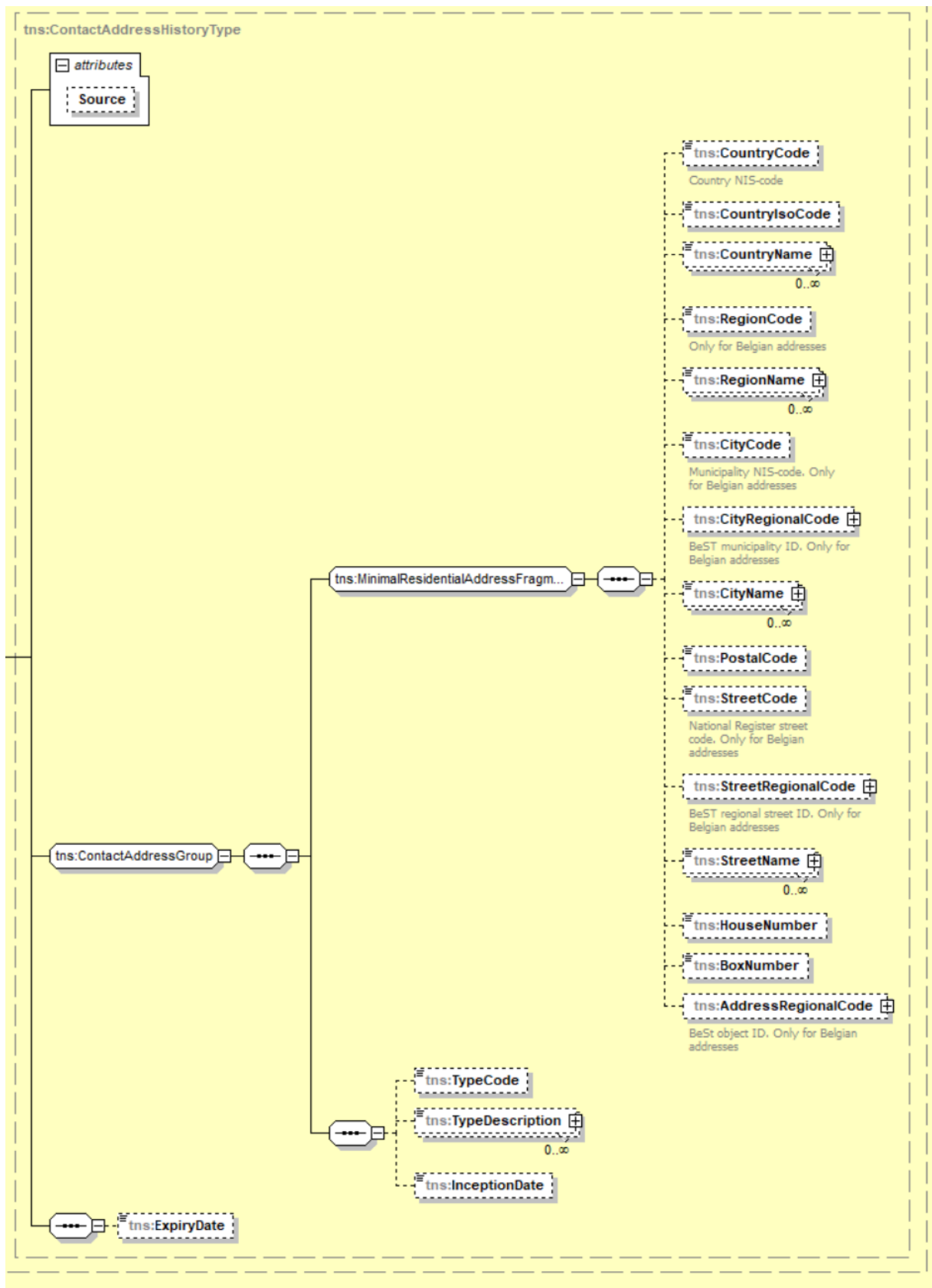


## 6.2.12 DiplomaticPostType



Field name	Description	Abroad	Belgian Current	Belgian BeST
countryCode	Country code of the country (NIS code)	✓	150	150
countryIsoCode	The 2-letter ISO code of the country (ISO 3166 alpha-2)	✓	✓	✓
countryName	Country name	✓	✓	✓
diplomaticPostCode	NIS diplomatic post code	✓	✓	✓
diplomaticPostName	Description diplomatic post code	✓	✓	✓

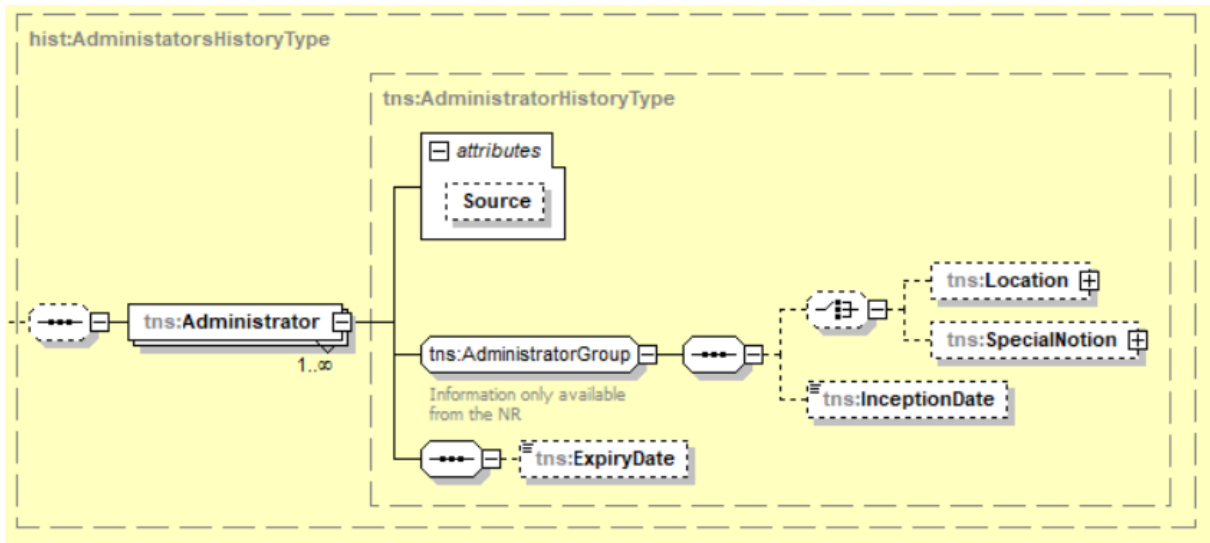
## 6.2.13 ContactAddressesHistoryType



Field name	Description	Abroad	Belgian Current	Belgian BeST
CountryCode	Country code of the country (NIS code)	✓	150	150
CountryIsoCode	The 2-letter ISO code of the country (ISO 3166 alpha-2)	✓	✓	✓
CountryName	Country name	✓	✓	✓
RegionCode	Region code of the region			✓
RegionName	Region name			✓
CityCode	Municipality code (NIS code)		✓	
CityRegionalCode	Municipality name			✓
CityName	City name	✓	✓	✓
PostalCode	Postal code	✓	✓	✓
StreetCode	Street code		✓	
StreetRegionalCode	Street code assigned by National Registry			✓
StreetName	Street name	✓	✓	✓
HouseNumber	House number	✓	✓	✓
BoxNumber	Box number	✓	✓	✓
AddressRegionalCode	Unique identification number of the address			✓
TypeCode	Type code contact address	N.A	N.A	N.A
TypeDescription	Type code description	N.A	N.A	N.A
InceptionDate	Data inception date	✓	✓	✓
ExpiryDate	This field contains the expiration date of the information	✓	✓	✓

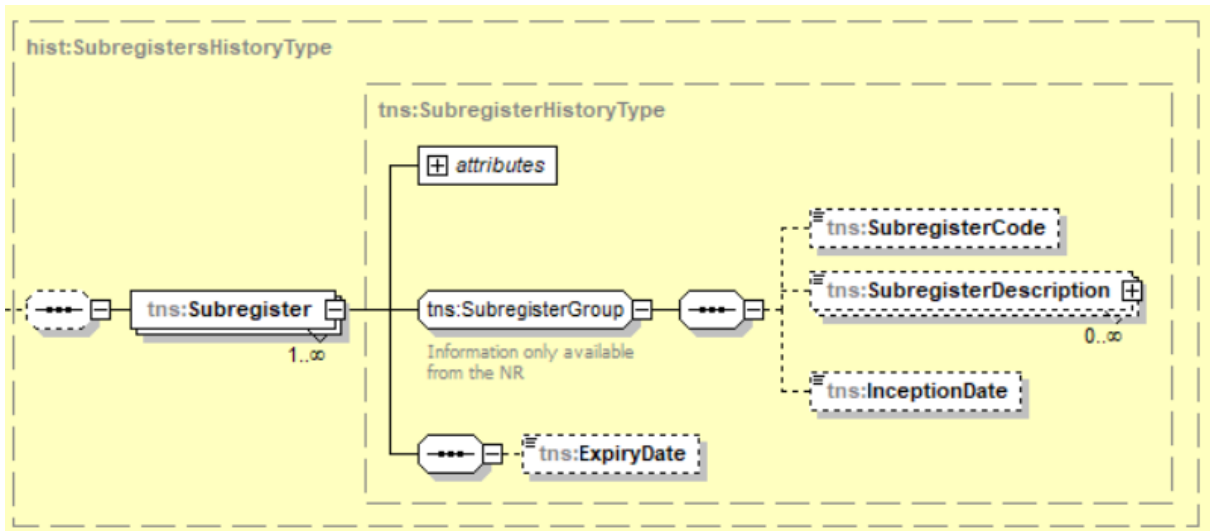


## 6.2.14 AdministratorsHistoryType



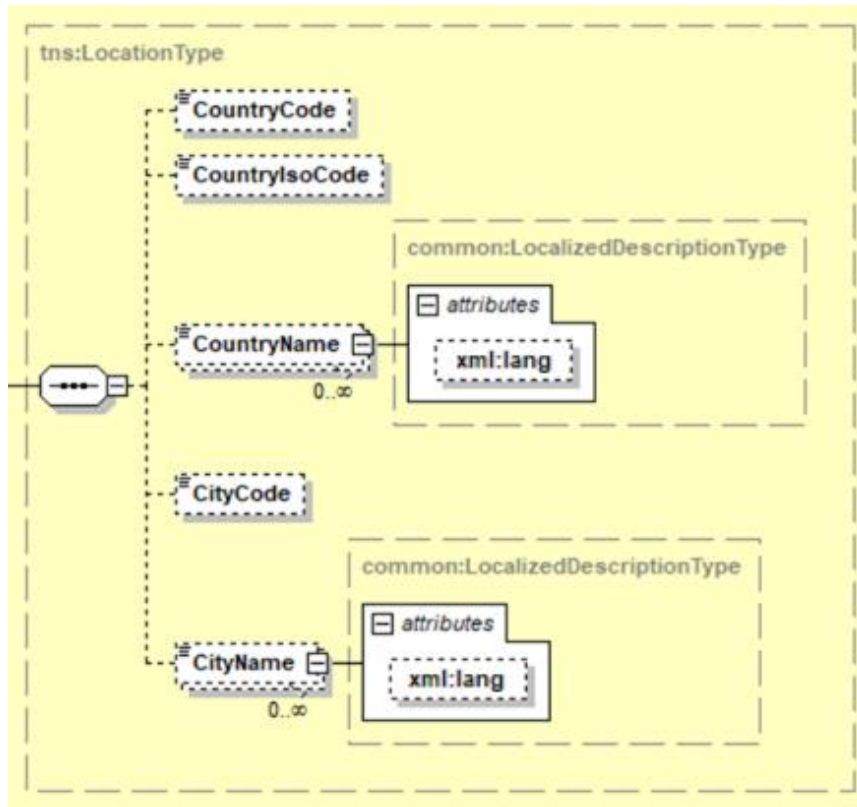
Field name	Description
@Source	This attribute contains the identifier of the registry which is the authentic source of the legal data of the person. Possible values are <ul style="list-style-type: none"> <li>• 'RN' : National registry</li> <li>• 'RAD' : Radiated registry</li> <li>• 'BIS' : Bis registry</li> </ul> 'RN' : Cancelled registry
Location	This block contains the municipality or country location. (See section: 6.2.16)
SpecialNotion	This field contains a special code if it is not a "normal" manager. This is usually a code of radiation from the National Registry.
InceptionDate	This field contains the inception date of the information.
ExpiryDate	This field contains the expiration date of the information.

## 6.2.15 SubregistersHistoryType



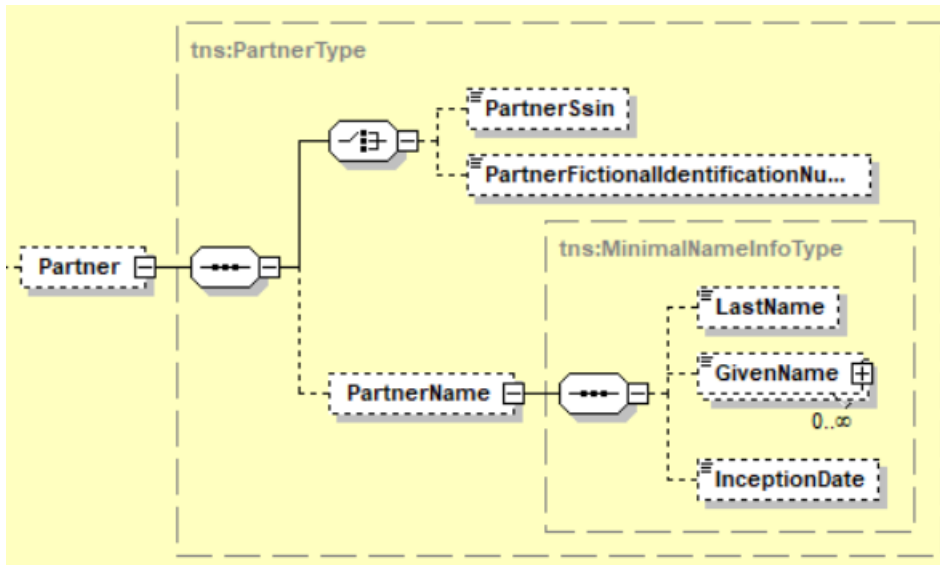
Field name	Description
@Source	This attribute contains the identifier of the registry which is the authentic source of the legal data of the person. Possible values are <ul style="list-style-type: none"> <li>• 'RN' : National registry</li> <li>• 'RAD' : Radiated registry</li> <li>• 'BIS' : Bis registry</li> </ul> 'KAN' : Cancelled registry
SubregisterCode	This field contains the sub register code.
SubregisterDescription	This field contains the description of sub register in different languages.
InceptionDate	This field contains the inception date of the information.
ExpiryDate	This field contains the expiration date of the information.

## 6.2.16 LocationType



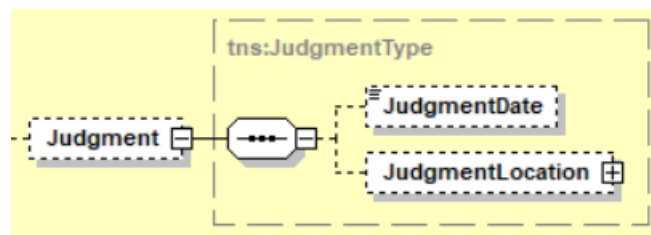
Field name	Description
CountryCode	This field contains the country code of the country. (NIS code)
CountryIsoCode	This field contains the 2-letter ISO code of the country. (ISO 3166 alpha-2)
CountryName	This field contains the name of the country in different languages.
CityCode	This field contains the municipality code. (NIS code)
CityName	This field contains Municipality name in different languages.

### 6.2.17 PartnerType



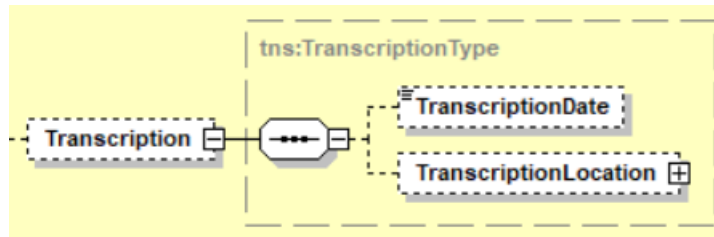
Field name	Description
PartnerSsin	This field contains the SSIN number of the partner.
PartnerFictionalIdentificationNumber	This field contains the partner fictional identification number. <u>Remark:</u> if partner has no identification number in the RN
PartnerName/LastName	This field contains the last name of the partner.
PartnerName/GivenName[@sequence]	This field contains the first names of the partner (3 maximum first names). The attribute <i>sequence</i> has a value from 1 to 3.
InceptionDate	This field contains the inception date of the information.

### 6.2.18 JudgmentType



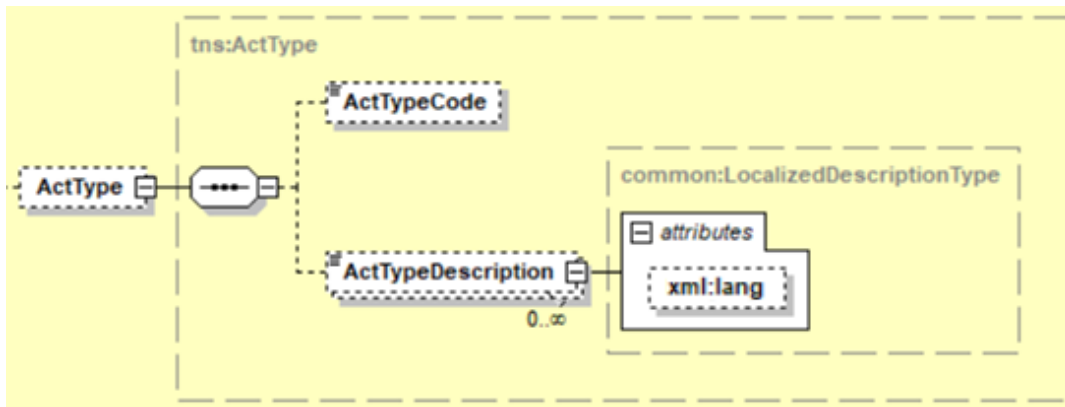
Field name	Description
JudgmentDate	This field contains the judgment date.
JudgmentLocation	This block contains the judgment location. (See section: 6.2.16)

### 6.2.19 TranscriptionType



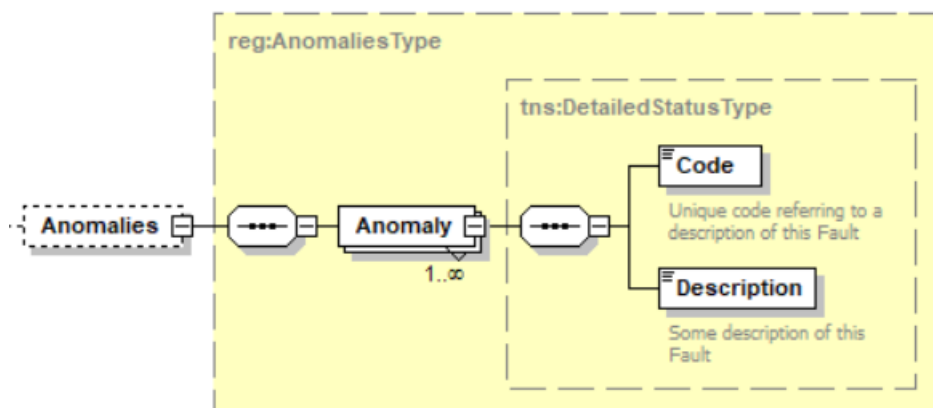
Field name	Description
TranscriptionDate	This field contains the judgment transcription date.
TranscriptionLocation	This block contains the judgment transcription location. (See section: 6.2.16)

### 6.2.20 ActType



Field name	Description
ActTypeCode	This field contains the act type code.
ActTypeDescription	This field contains the act type description in different languages.

### 6.2.21 AnomaliesType





Field name	Description
Anomaly/Code	This field contains the anomaly code.
Anomaly/Description	This field contains the anomaly code description.



# 7. Risks and security

## 7.1 Risks & safety

## 7.2 Security

### 7.2.1 Business security

In case the development adds an additional use case based on an existing integration, the eHealth platform must be informed at least one month in advance with a detailed estimate of the expected load. This will ensure an effective capacity management.

In case of technical issues on the WS, the partner may obtain support from the Contact center. (See Chap 3)

**In case the eHealth platform finds a bug or vulnerability in its software, we advise the partner to update his application with the newest version of the software within 10 business days.**

**In case the partner finds a bug or vulnerability in the software or web service that the eHealth platform delivered, he is obliged to contact and inform us immediately. He is not allowed to publish this bug or vulnerability in any case.**

### 7.2.2 Web service

WS security used in this manner is in accordance with the common standards. Your call will provide:

- SSL one way
- Time-to-live of the message: one minute.
- Signature of the timestamp, body and binary security token. This will allow the eHealth platform to verify the integrity of the message and the identity of the message author.
- No encryption on the message.

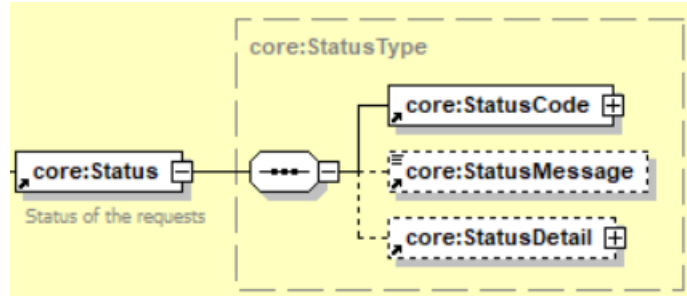
### 7.2.3 The use of username, password and token

The username, password and token are strictly personal. Partners and clients are not allowed to transfer them. Every user takes care of his username, password and token and he is forced to confidentiality of it. Moreover, every user is responsible of every use, which includes the use by a third party, until the inactivation.



## 8. Status

When you call the service, the information about the success or error following the request is contained in a Status element.



Field name	Description
StatusCode	This field contains the status code.
StatusMessage	This field contains the description of the status code.
StatusDetail	This field contains additional information about the status.

### 8.1 Success response

In case of success response, the element status will contained the following information:

```

<ns2:Status>
  <ns2:StatusCode Value="urn:be:fgov:ehhealth:2.0:status:Success"/>
</ns2:Status>
  
```

### 8.2 Business errors

In the case of a business error, the element status will contained the following information:

Error Description	Element eHealth	Solution
ApplicationID is malformed	<pre> &lt;Status&gt; &lt;StatusCode Value="urn:be:fgov:ehhealth:2.0:status:Requester"&gt; &lt;StatusCode Value="urn:be:fgov:ehhealth:2.0:status:InvalidInput"&gt; &lt;/StatusCode&gt; &lt;StatusMessage&gt;The applicationId is malformed&lt;/StatusMessage&gt; &lt;/Status&gt;           </pre>	<p>The applicationID is not valid.</p> <p>Please use a correct application Id in your request.</p>
Ssin is malformed	<pre> &lt;Status&gt; &lt;StatusCode Value="urn:be:fgov:ehhealth:2.0:status:Requester"&gt; &lt;StatusCode Value="urn:be:fgov:ehhealth:2.0:status:InvalidInput"&gt; &lt;/StatusCode&gt; &lt;StatusMessage&gt;The ssin is malformed&lt;/StatusMessage&gt; &lt;/Status&gt;           </pre>	<p>The SSIN number is not valid. Please check the structure of SSIN number.</p>
No right configured to call the web service	<pre> &lt;Status&gt; &lt;StatusCode Value="urn:be:fgov:ehhealth:2.0:status:Requester"&gt; &lt;StatusCode Value="urn:be:fgov:ehhealth:2.0:status:RequestDenied"&gt;           </pre>	<p>The applicationID is not allowed to call the web service.</p>



	<pre> &lt;/StatusCode&gt; &lt;StatusMessage&gt;No right configured to call the web service &lt;/StatusMessage&gt; &lt;/Status&gt; </pre>	Please refer to the contact center.
Access to this operation is not allowed with the given legal context and credentials	<pre> &lt;Status&gt; &lt;StatusCode Value="urn:be:fgov:ehhealth:2.0:status:Requester"&gt; &lt;StatusCode Value="urn:be:fgov:ehhealth:2.0:status:InvalidInput"&gt; &lt;/StatusCode&gt; &lt;StatusMessage&gt;Access to this operation is not allowed with the given legal context and credentials&lt;/StatusMessage&gt; &lt;/Status&gt; </pre>	Request to service is forbidden. Please refer to the contact center.
Cause unknown	<pre> &lt;Status&gt; &lt;StatusCode Value="urn:be:fgov:ehhealth:2.0:status:Requester "&gt; &lt;StatusCode Value="urn:be:fgov:ehhealth:2.0:status:Indeterminate"&gt; &lt;/StatusCode&gt; &lt;StatusMessage&gt;Cause unknown&lt;/StatusMessage&gt; &lt;/Status&gt; </pre>	Please refer to the contact center.

### 8.3 Technical errors

In the case of a technical error, a SOAP fault exception is returned (See table below) with the following status:

```

<ns2:Status>
  <ns2:StatusCode Value="urn:be:fgov:ehhealth:2.0:status:Responder"/>
</ns2:Status>

```

If an error occurs, first please verify your request. Following table contains a list of common system error codes for the eHealth Service Bus.

Error code	Component	Description	Solution
SOA-00001	Not determined	Service error	This is the default error sent to the consumer in case no more details are known.
SOA-01001	Consumer	Service call not authenticated	From the security information provided: <ul style="list-style-type: none"> <li>• or the consumer could not be identified</li> <li>• or the credentials provided are not correct</li> </ul>
SOA-01002	Consumer	Service call not authorized	•The consumer is identified and authenticated, but is not allowed to call the given service.
SOA-02001	Provider	Service not available. Please contact service desk	An unexpected error has occurred: <ul style="list-style-type: none"> <li>• Retries will not work</li> <li>• Service desk may help with root cause analysis</li> </ul>



SOA-02002	Provider	Service temporarily not available. Please try later	An unexpected error has occurred: <ul style="list-style-type: none"> <li>• Retries should work</li> <li>• If the problem persists service desk may help</li> </ul>
SOA-03001	Consumer	Malformed message	This is default error for content related errors in case details are missing.
SOA-03002	Consumer	Message must be SOAP	Message does not respect the SOAP standard.
SOA-03003	Consumer	Message must contain SOAP body	Message respects the SOAP standard, but body is missing.
SOA-03004	Consumer	WS-I compliance failure	Message does not respect the WS-I standard.
SOA-03005	Consumer	WSDL compliance failure	Message is not compliant with WSDL in Registry/Repository.
SOA-03006	Consumer	XSD compliance failure	Message is not compliant with XSD in Registry/Repository.
SOA-03007	Consumer	Message content validation failure	From the message content (conform XSD): <ul style="list-style-type: none"> <li>• Extended checks on the element format failed</li> <li>• Cross-checks between fields failed</li> </ul>

## 9. Test and release procedure

### 9.1 Procedure

This chapter explains the procedures for testing and releasing an application in acceptance or production.

#### 9.1.1 Initiation

If you intend to use the eHealth platform service, please contact [info@ehealth.fgov.be](mailto:info@ehealth.fgov.be). The project department will provide you with the necessary information and mandatory documents.

#### 9.1.2 Development and test procedure

You have to develop a client in order to connect to our WS. Most of the required integration info to integrate is published on the portal of the eHealth platform.

Upon request, the eHealth platform provides you in some cases, with a mock-up service or test cases in order for you to test your client before releasing it in the acceptance environment.

#### 9.1.3 Release procedure

When development tests are successful, you can request to access the acceptance environment of the eHealth platform. From this moment, you start the integration and acceptance tests. The eHealth platform suggests testing during minimum one month.

After successful acceptance tests, the partner sends his test and performance results with a sample of “eHealth request” and “eHealth answer” by email to his point of contact at the eHealth platform.

Then the eHealth platform and the partner agree on a release date. The eHealth platform prepares the connection to the production environment and provides the partner with the necessary information. During the release day, the partner provides the eHealth platform with feedback on the test and performance tests.

For further information and instructions, please contact: [integration-support@ehealth.fgov.be](mailto:integration-support@ehealth.fgov.be).

#### 9.1.4 Operational follow-up

Once in production, the partner using the eHealth platform service for one of his applications will FIRST test in the acceptance environment before releasing any adaptations of his application in production. In addition, he will inform the eHealth platform on the progress and test period.



## 10. Example

### 10.1.1 Request

```
<urn:SearchPersonInformationHistoryBySsinRequest Id="idRequest" IssueInstant="2020-03-09T16:13:37.887+01:00">
  <urn:ApplicationId>XXXXXXXXXXXX</urn:ApplicationId>
  <urn:Criteria>
    <urn1:Ssin>12345678910</urn1:Ssin>
    <urn1:Datagroups>
      <urn1:Names>true</urn1:Names>
      <urn1:Nationalities>false</urn1:Nationalities>
      <urn1:Births>false</urn1:Births>
      <urn1:Deceases>false</urn1:Deceases>
      <urn1:Genders>false</urn1:Genders>
      <urn1:CivilStates>false</urn1:CivilStates>
      <urn1:Addresses>false</urn1:Addresses>
      <urn1>ContactAddresses>false</urn1>ContactAddresses>
      <urn1:Administrators>false</urn1:Administrators>
      <urn1:Subregisters>false</urn1:Subregisters>
    </urn1:Datagroups>
  </urn:Criteria>
</urn:SearchPersonInformationHistoryBySsinRequest>
```

### 10.1.2 Success response

```
<ns3:SearchPersonInformationHistoryBySsinResponse Id="Id-XXXXXX" InResponseTo="idRequest" IssueInstant="2020-06-08T14:40:33.446+02:00" xmlns:ns11="urn:be:fgov:ehealth:errors:soa:v1" xmlns:ns12="urn:be:fgov:ehealth:errors:service:v1" xmlns:ns2="urn:be:fgov:ehealth:commons:core:v2" xmlns:ns3="urn:be:fgov:ehealth:rn:personinfogroupservice:protocol:v1" xmlns:ns4="urn:be:fgov:ehealth:rn:personinfogrouplegaldata:v1" xmlns:ns5="urn:be:fgov:ehealth:rn:baselegaldata:v1" xmlns:ns6="urn:be:fgov:ehealth:rn:basehistorylegaldata:v1" xmlns:ns7="urn:be:fgov:ehealth:rn:registries:commons:v1" xmlns:ns8="urn:be:fgov:ehealth:rn:personinfogroupservice:core:v1" xmlns:ns9="urn:be:fgov:ehealth:rn:commons:business:v1">
  <ns2:Status>
    <ns2:StatusCode Value="urn:be:fgov:ehealth:2.0:status:Success"/>
  </ns2:Status>
  <ns3:Ssin>12345678910</ns3:Ssin>
  <ns3:Result>
    <ns8:Person Register="NR">
      <ns4:Ssin>12345678910</ns4:Ssin>
      <ns4:Names>
        <ns6:Name Source="NR">
          <ns5:LastName>XXXXXX</ns5:LastName>
        </ns6:Name>
      </ns4:Names>
    </ns8:Person>
  </ns3:Result>
</ns3:SearchPersonInformationHistoryBySsinResponse>
```



```

        <ns5:GivenName Sequence="1">XXXXXX</ns5:GivenName>
        <ns5:InceptionDate>XXXX-XX-XX</ns5:InceptionDate>
    </ns6:Name>
</ns4:Names>
</ns8:Person>
</ns3:Result>
</ns3:SearchPersonInformationHistoryBySsinResponse>

```

### 10.1.3 Business error response

```

<ns3:SearchPersonInformationHistoryBySsinResponse Id="Id-
XXXXXX" InResponseTo="idRequest" IssueInstant="2020-06-
08T14:40:31.238+02:00" xmlns:ns11="urn:be:fgov:health:errors:soa:v1" xmlns:ns12="urn:be:
fgov:health:errors:service:v1" xmlns:ns2="urn:be:fgov:health:commons:core:v2" xmlns:ns3
="urn:be:fgov:health:rn:personinfogroupservice:protocol:v1" xmlns:ns4="urn:be:fgov:heal
th:rn:personinfogrouplegaldata:v1" xmlns:ns5="urn:be:fgov:health:rn:baselegaldata:v1" xm
lns:ns6="urn:be:fgov:health:rn:basehistorylegaldata:v1" xmlns:ns7="urn:be:fgov:health:r
n:registries:commons:v1" xmlns:ns8="urn:be:fgov:health:rn:personinfogroupservice:core:v1
" xmlns:ns9="urn:be:fgov:health:rn:commons:business:v1">
  <ns2:Status>
    <ns2:StatusCode Value="urn:be:fgov:health:2.0:status:Requester">
      <ns2:StatusCode Value="urn:be:fgov:health:2.0:status:InvalidInput"/>
    </ns2:StatusCode>
    <ns2:StatusMessage>The structure of the SSIN given in request is invalid</ns2:Sta
tusMessage>
  </ns2:Status>
</ns3:SearchPersonInformationHistoryBySsinResponse>

```

### 10.1.4 Technical error response

```

<ns5:SearchPersonInformationHistoryBySsinResponse Id="Id-
XXXXXX" InResponseTo="idRequest" IssueInstant="2020-03-
09T16:18:41.339+01:00" xmlns:ns2="urn:be:fgov:health:commons:core:v2"
xmlns:ns4="urn:be:fgov:health:rn:personinfogroupservice:core:v1" xmlns:ns5="urn:be:fgov:
health:rn:personinfogroupservice:protocol:v1" xmlns:ns6="urn:be:fgov:health:rn:registri
es:commons:v1" xmlns:ns7="urn:be:fgov:health:rn:commons:business:v1" xmlns:ns8="urn:be:f
gov:health:errors:soa:v1" xmlns:ns9="urn:be:fgov:health:errors:service:v1">
  <ns2:Status>
    <ns2:StatusCode Value="urn:be:fgov:health:2.0:status:Requester">
      <ns2:StatusCode Value="urn:be:fgov:health:2.0:status:InvalidInput"/>
    </ns2:StatusCode>
    <ns2:StatusMessage>Business validation error</ns2:StatusMessage>
    <ns2:StatusDetail>
      <ns6:ValidationErrors>
        <ValidationError>
          <Code>400236</Code>
        </ValidationError>
      </ns6:ValidationErrors>
    </ns2:StatusDetail>
  </ns2:Status>
</ns5:SearchPersonInformationHistoryBySsinResponse>

```





```
        <Description>Foreign address can't have a Belgian country code (150)
</Description>
        </ValidationError>
    </ns6:ValidationErrors>
    </ns2:StatusDetail>
</ns2:Status>
</ns5:RegisterPersonResponse>
```



# 11. Test cases

In this section, you will find test cases to verify the implementation of your service. The response's data received may not be as exhaustive as the response below. It depends on the data that you have the right to consult.

## 11.1 Historical data about a cancelled person cancelled

<i>Description</i>	The user receives the historical data about a cancelled person.
<i>Input</i>	<ul style="list-style-type: none"> <li>• SSIN: 56000308828</li> <li>• The following elements have the value TRUE :             <ul style="list-style-type: none"> <li>○ <i>Names</i></li> <li>○ <i>Nationalities</i></li> <li>○ <i>Births</i></li> <li>○ <i>Deceases</i></li> <li>○ <i>Genders</i></li> <li>○ <i>CivilStates</i></li> <li>○ <i>Addresses</i></li> <li>○ <i>ContactAddresses</i></li> <li>○ <i>Subregisters</i></li> </ul> </li> </ul>
<i>Expected outputs</i>	<p>The service returns a business error with the status: <i>data not found</i>.</p> <pre> &lt;SOAP-ENV:Envelope xmlns:SOAP-ENV="http://schemas.xmlsoap.org/soap/envelope/"&gt;   &lt;SOAP-ENV:Header/&gt;   &lt;SOAP-ENV:Body&gt;     &lt;ns3:SearchPersonInformationHistoryBySsinResponse Id="Id-716a845f16426059caae0bef" InResponseTo="id1" IssueInstant="2020-10-12T16:38:41.630+02:00" xmlns:ns11="urn:be:fgov:ehealth:errors:soa:v1" xmlns:ns12="urn:be:fgov:ehealth:errors:service:v1" xmlns:ns2="urn:be:fgov:ehealth:commons:core:v2" xmlns:ns3="urn:be:fgov:ehealth:rn:personinfogroupservice:protocol:v1" xmlns:ns4="urn:be:fgov:ehealth:rn:personinfogrouplegaldata:v1" xmlns:ns5="urn:be:fgov:ehealth:rn:baselegaldata:v1" xmlns:ns6="urn:be:fgov:ehealth:rn:basehistorylegaldata:v1" xmlns:ns7="urn:be:fgov:ehealth:rn:registries:commons:v1" xmlns:ns8="urn:be:fgov:ehealth:rn:personinfogroupservice:core:v1" xmlns:ns9="urn:be:fgov:ehealth:rn:commons:business:v1"&gt;       &lt;ns2:Status&gt;         &lt;ns2:StatusCode Value="urn:be:fgov:ehealth:2.0:status:Requester"&gt;           &lt;ns2:StatusCode Value="urn:be:fgov:ehealth:2.0:status:DataNotFound"/&gt;         &lt;/ns2:StatusCode&gt;         &lt;ns2:StatusMessage&gt;The SSIN given in request is canceled&lt;/ns2:StatusMessage&gt;       &lt;/ns2:Status&gt;       &lt;ns30:Ssin Canceled="true"&gt;56000308828&lt;/ns3:Ssin&gt;     &lt;/ns3:SearchPersonInformationHistoryBySsinResponse&gt;   &lt;/SOAP-ENV:Body&gt; &lt;/SOAP-ENV:Envelope&gt; </pre>



## 11.2 Historical data about a replaced person

<i>Description</i>	The user receives the historical data about a person where SSIN has been replaced by another SSIN.
<i>Input</i>	<ul style="list-style-type: none"> <li>• SSIN: 49242300517</li> <li>• The following elements have the value TRUE :             <ul style="list-style-type: none"> <li>○ <i>Names</i></li> <li>○ <i>Nationalities</i></li> <li>○ <i>Births</i></li> <li>○ <i>Deceases</i></li> <li>○ <i>Genders</i></li> <li>○ <i>CivilStates</i></li> <li>○ <i>Addresses</i></li> <li>○ <i>ContactAddresses</i></li> <li>○ <i>Subregisters</i></li> </ul> </li> </ul>
<i>Expected outputs</i>	<p>The service returns the previous and the current person identifier with the information about the person.</p> <pre data-bbox="411 801 1528 1930"> &lt;SOAP-ENV:Envelope xmlns:SOAP-ENV="http://schemas.xmlsoap.org/soap/envelope/"&gt;   &lt;SOAP-ENV:Header/&gt;   &lt;SOAP-ENV:Body&gt;     &lt;ns3:SearchPersonInformationHistoryBySsinResponse Id="Id-744f855f59087754240071af" InResponseTo="id1" IssueInstant="2020-10-13T08:55:49.416+02:00" xmlns:ns11="urn:be:fgov:health:errors:soa:v1" xmlns:ns12="urn:be:fgov:health:errors:service:v1" xmlns:ns2="urn:be:fgov:health:commons:core:v2" xmlns:ns3="urn:be:fgov:health:rn:personinfogroupservice:protocol:v1" xmlns:ns4="urn:be:fgov:health:rn:personinfogrouplegaldata:v1" xmlns:ns5="urn:be:fgov:health:rn:baselegaldata:v1" xmlns:ns6="urn:be:fgov:health:rn:basehistorylegaldata:v1" xmlns:ns7="urn:be:fgov:health:rn:registries:commons:v1" xmlns:ns8="urn:be:fgov:health:rn:personinfogroupservice:core:v1" xmlns:ns9="urn:be:fgov:health:rn:commons:business:v1"&gt;       &lt;ns2:Status&gt;         &lt;ns2:StatusCode Value="urn:be:fgov:health:2.0:status:Success"/&gt;       &lt;/ns2:Status&gt;       &lt;ns3:Ssin Replaces="49242300517"&gt;49442002236&lt;/ns3:Ssin&gt;       &lt;ns3:Result&gt;         &lt;ns8:Person RegisterInceptionDate="2009-09-07"&gt;           &lt;ns4:Ssin&gt;49442002236&lt;/ns4:Ssin&gt;           &lt;ns4:Names&gt;             &lt;ns6:Name Source="CBSS"&gt;               &lt;ns5:LastName&gt;POLJAC&lt;/ns5:LastName&gt;               &lt;ns5:GivenName Sequence="1"&gt;MARIE&lt;/ns5:GivenName&gt;               &lt;ns5:InceptionDate&gt;1949-04-20&lt;/ns5:InceptionDate&gt;             &lt;/ns6:Name&gt;           &lt;/ns4:Names&gt;           &lt;ns4:Nationalities&gt;             &lt;ns6:Nationality Source="CBSS"&gt;               &lt;ns5:NationalityCode&gt;111&lt;/ns5:NationalityCode&gt;             &lt;/ns6:Nationality&gt;           &lt;/ns4:Nationalities&gt;         &lt;/ns8:Person&gt;       &lt;/ns3:Result&gt;     &lt;/ns3:SearchPersonInformationHistoryBySsinResponse&gt;   &lt;/SOAP-ENV:Body&gt; &lt;/SOAP-ENV:Envelope&gt; </pre>



```

        <ns5:NationalityDescription xml:lang="fr">France</ns5:NationalityDescription>
        <ns5:NationalityDescription xml:lang="nl">Frankrijk</ns5:NationalityDescription>
        <ns5:NationalityDescription xml:lang="de">Frankreich</ns5:NationalityDescription>
        <ns5:InceptionDate>1949-04-20</ns5:InceptionDate>
    </ns6:Nationality>
</ns4:Nationalities>
<ns4:Births>
    <ns6:Birth Source="CBSS">
        <ns5:BirthDate>1949-04-20</ns5:BirthDate>
        <ns5:BirthPlace>
            <ns5:CountryCode>146</ns5:CountryCode>
            <ns5:CountryName xml:lang="fr">Croatie</ns5:CountryName>
            <ns5:CountryName xml:lang="nl">Kroatië</ns5:CountryName>
            <ns5:CountryName xml:lang="de">Kroatien</ns5:CountryName>
            <ns5:CityName>RUPE</ns5:CityName>
        </ns5:BirthPlace>
    </ns6:Birth>
</ns4:Births>
<ns4:Deceases/>
<ns4:Genders>
    <ns6:Gender Source="CBSS">
        <ns5:GenderCode>F</ns5:GenderCode>
        <ns5:InceptionDate>1949-04-20</ns5:InceptionDate>
    </ns6:Gender>
</ns4:Genders>
<ns4:CivilStates/>
<ns4:Addresses>
    <ns6:Address Source="CBSS">
        <ns6:ResidentialAddress>
            <ns5:CountryCode>111</ns5:CountryCode>
            <ns5:CountryName xml:lang="fr">France</ns5:CountryName>
            <ns5:CountryName xml:lang="nl">Frankrijk</ns5:CountryName>
            <ns5:CountryName xml:lang="de">Frankreich</ns5:CountryName>
            <ns5:CityName>NICE</ns5:CityName>
            <ns5:PostalCode>06100</ns5:PostalCode>
            <ns5:StreetName>AVENUE DE GRIGNAN</ns5:StreetName>
            <ns5:HouseNumber>8</ns5:HouseNumber>
            <ns5:BoxNumber>BIS</ns5:BoxNumber>
            <ns5:InceptionDate>2012-04-24</ns5:InceptionDate>
        </ns6:ResidentialAddress>
    </ns6:Address>
</ns4:Addresses>
<ns4>ContactAddresses/>

```



```

        <ns4:Administrators/>
        <ns4:Subregisters/>
    </ns8:Person>
</ns3:Result>
</ns3:SearchPersonInformationHistoryBySsinResponse>
</SOAP-ENV:Body>
</SOAP-ENV:Envelope>

```

### 11.2.1 Historical data about a person that does NOT exist in CBSS register

<i>Description</i>	The user receives the historical data about a person that does not exist in CBSS register
<i>Input</i>	<ul style="list-style-type: none"> <li>• SSIN: 81490230530</li> <li>• The following elements have the value TRUE :             <ul style="list-style-type: none"> <li>○ <i>Names</i></li> <li>○ <i>Nationalities</i></li> <li>○ <i>Births</i></li> <li>○ <i>Deceases</i></li> <li>○ <i>Genders</i></li> <li>○ <i>CivilStates</i></li> <li>○ <i>Addresses</i></li> <li>○ <i>ContactAddresses</i></li> <li>○ <i>Subregisters</i></li> </ul> </li> </ul>
<i>Expected outputs</i>	<p>The service returns a business error with the status : <i>data not found</i></p> <pre> &lt;SOAP-ENV:Envelope xmlns:SOAP-ENV="http://schemas.xmlsoap.org/soap/envelope/"&gt;   &lt;SOAP-ENV:Header/&gt;   &lt;SOAP-ENV:Body&gt;     &lt;ns3:SearchPersonInformationHistoryBySsinResponse Id="Id-1850855f391543afac5a322a" InResponseTo="id1" IssueInstant="2020-10-13T08:58:33.327+02:00" xmlns:ns11="urn:be:fgov:ehealth:errors:soa:v1" xmlns:ns12="urn:be:fgov:ehealth:errors:service:v1" xmlns:ns2="urn:be:fgov:ehealth:commons:core:v2" xmlns:ns3="urn:be:fgov:ehealth:rn:personinfogroupservice:protocol:v1" xmlns:ns4="urn:be:fgov:ehealth:rn:personinfogrouplegaldata:v1" xmlns:ns5="urn:be:fgov:ehealth:rn:baselegaldata:v1" xmlns:ns6="urn:be:fgov:ehealth:rn:basehistorylegaldata:v1" xmlns:ns7="urn:be:fgov:ehealth:rn:registries:commons:v1" xmlns:ns8="urn:be:fgov:ehealth:rn:personinfogroupservice:core:v1" xmlns:ns9="urn:be:fgov:ehealth:rn:commons:business:v1"&gt;       &lt;ns2:Status&gt;         &lt;ns2:StatusCode Value="urn:be:fgov:ehealth:2.0:status:Requester"&gt;           &lt;ns2:StatusCode Value="urn:be:fgov:ehealth:2.0:status:DataNotFound"/&gt;         &lt;/ns2:StatusCode&gt;         &lt;ns2:StatusMessage&gt;The SSIN given in request does not exist&lt;/ns2:StatusMessage&gt;       &lt;/ns2:Status&gt;     &lt;/ns3:SearchPersonInformationHistoryBySsinResponse&gt;   &lt;/SOAP-ENV:Body&gt; &lt;/SOAP-ENV:Envelope&gt; </pre>



## 11.2.2 Historical data about a person with an invalid identifier

<p><i>Description</i></p>	<p>The user receives the historical data about a person with an invalid identifier.</p>
<p><i>Input</i></p>	<ul style="list-style-type: none"> <li>• SSIN: 56000308818 <ul style="list-style-type: none"> <li>○ <i>Names</i></li> <li>○ <i>Nationalities</i></li> <li>○ <i>Births</i></li> <li>○ <i>Deceases</i></li> <li>○ <i>Genders</i></li> <li>○ <i>CivilStates</i></li> <li>○ <i>Addresses</i></li> <li>○ <i>ContactAddresses</i></li> <li>○ <i>Subregisters</i></li> </ul> </li> </ul>
<p><i>Expected outputs</i></p>	<p>The service returns a business error with the status: <i>Invalid Input</i>.</p> <pre> &lt;SOAP-ENV:Envelope xmlns:SOAP-ENV="http://schemas.xmlsoap.org/soap/envelope/"&gt;   &lt;SOAP-ENV:Header/&gt;   &lt;SOAP-ENV:Body&gt;     &lt;ns3:SearchPersonInformationHistoryBySsinResponse Id="Id-b550855f0f07b7d2c6204b83" InResponseTo="id1" IssueInstant="2020-10-13T09:01:10.411+02:00" xmlns:ns11="urn:be:fgov:ehhealth:errors:soa:v1" xmlns:ns12="urn:be:fgov:ehhealth:errors:service:v1" xmlns:ns2="urn:be:fgov:ehhealth:commons:core:v2" xmlns:ns3="urn:be:fgov:ehhealth:rn:personinfogroupservice:protocol:v1" xmlns:ns4="urn:be:fgov:ehhealth:rn:personinfogrouplegaldata:v1" xmlns:ns5="urn:be:fgov:ehhealth:rn:baselegaldata:v1" xmlns:ns6="urn:be:fgov:ehhealth:rn:basehistorylegaldata:v1" xmlns:ns7="urn:be:fgov:ehhealth:rn:registries:commons:v1" xmlns:ns8="urn:be:fgov:ehhealth:rn:personinfogroupservice:core:v1" xmlns:ns9="urn:be:fgov:ehhealth:rn:commons:business:v1"&gt;       &lt;ns2:Status&gt;         &lt;ns2:StatusCode Value="urn:be:fgov:ehhealth:2.0:status:Requester"&gt;           &lt;ns2:StatusCode Value="urn:be:fgov:ehhealth:2.0:status:InvalidInput"/&gt;         &lt;/ns2:StatusCode&gt;         &lt;ns2:StatusMessage&gt;The structure of the SSIN given in request is invalid&lt;/ns2:StatusMessage&gt;       &lt;/ns2:Status&gt;     &lt;/ns3:SearchPersonInformationHistoryBySsinResponse&gt;   &lt;/SOAP-ENV:Body&gt; &lt;/SOAP-ENV:Envelope&gt; </pre>

