



**Therapeutic Link WS  
Cookbook  
Version 1.9**

This document is provided to you free of charge by the

**eHealth platform**

**Willebroekkaai 38  
38, Quai de Willebroeck  
1000 BRUSSELS**

All are free to circulate this document with reference to the URL source.

# Table of contents

<b>Table of contents</b> .....	<b>2</b>
<b>1. Document management</b> .....	<b>4</b>
1.1 Document history.....	4
<b>2. Introduction</b> .....	<b>5</b>
2.1 Goal of the service .....	5
2.2 Goal of the document .....	6
2.3 eHealth platform document references .....	6
2.4 External document references.....	7
2.5 Use of keywords.....	7
<b>3. Support</b> .....	<b>8</b>
3.1 Helpdesk eHealth platform .....	8
3.1.1 Certificates.....	8
3.1.2 For issues in production .....	8
3.1.3 For issues in acceptance .....	8
3.1.4 For business issues .....	8
3.2 Status .....	8
<b>4. Global overview</b> .....	<b>9</b>
<b>5. Step-by-step</b> .....	<b>10</b>
5.1 Technical requirements.....	10
5.1.1 Use of the eHealth SSO solution.....	10
5.1.2 Security policies to apply.....	23
5.1.3 WS-I Basic Profile 1.1 .....	23
5.1.4 Tracing .....	23
5.2 Process overview.....	24
5.2.1 KMEHR structure .....	24
5.2.2 The end-users .....	24
5.2.3 Therapeutic links with a third actor.....	31
5.2.4 Method PutTherapeuticLink.....	32
5.2.5 Method RevokeTherapeuticLink .....	41
5.2.6 Method GetTherapeuticLink .....	51
5.2.7 Method HasTherapeuticLink .....	75
5.2.8 Proof .....	83
<b>6. Risks and security</b> .....	<b>88</b>
6.1 Security .....	88
6.1.1 Business security .....	88
6.1.2 Web service .....	88
6.1.3 The use of username, password and token.....	88
<b>7. Test and release procedure</b> .....	<b>89</b>
7.1 Procedure.....	89



7.1.1	Initiation .....	89
7.1.2	Development and test procedure .....	89
7.1.3	Release procedure .....	89
7.1.4	Operational follow-up .....	89
7.2	Test cases .....	89
<b>8.</b>	<b>Error and failure messages .....</b>	<b>90</b>
8.1	Business errors .....	90
8.2	Technical errors.....	97

To the attention of: "IT expert" willing to integrate this web service.



# 1. Document management

## 1.1 Document history

Version	Date	Author	Description of changes / remarks
1.0	31/10/2012	eHealth platform	First public version
1.1	28/08/2014	eHealth platform	<ul style="list-style-type: none"> <li>- New type of proof : ISI+ Card</li> <li>- New user profiles and healthcare party (HC party) categories : dentist and midwife</li> <li>- Additional error codes</li> </ul>
1.2	07/01/2015	eHealth platform	Migration therapeutic links targeting pharmacy-holders to pharmacies
1.3	10/08/2015	eHealth platform	<ul style="list-style-type: none"> <li>- Additional end-user: Patient</li> <li>- Non-referral therapeutic relations - Extended default period of validity from six to fifteen months.</li> </ul>
1.4	29/09/2016 Release 2016.2	eHealth platform	<ul style="list-style-type: none"> <li>- Update ehealth contact url</li> <li>- Overlapped period of validity</li> <li>- Update Overview schema</li> <li>- New authors (Mandatory , Parent)</li> <li>- Update period of validity - Start date and end-date</li> <li>- Update Proof</li> <li>- Update xsd definition and related examples</li> <li>- Update error codes and messages</li> </ul>
1.5	17/11/2016 Release 2016.2.1	eHealth platform	New born consent management : <ul style="list-style-type: none"> <li>- SSIN support card number is NOT required</li> <li>- Non-referral relations only</li> </ul>
1.6	22/05/2019	eHealth platform	<ul style="list-style-type: none"> <li>- New user profiles and healthcare party (HC party) - AR78</li> <li>- The eID number of the patient is NOT required for hubs.</li> <li>- New method: HasTherapeuticLink</li> </ul>
1.7	01/10/2019 (R2019.2)	eHealth platform	<ul style="list-style-type: none"> <li>- Anonymization of data</li> <li>- Add new HC parties (AR78)</li> <li>- Removing SIS Card</li> <li>- Removing WA eHealth Consent (replace by PHV MyHealth)</li> </ul>
1.8	28/07/2022	eHealth platform	§ 2.3 eHealth platform document references (updated) § 3.2 Status (added) § 5.1.3 WS-I Basic Profile (added) § 5.1.4 Tracing (added)
1.9	29/04/2024	eHealth platform	Add new HC parties (AR78)

## 2. Introduction

### 2.1 Goal of the service

The existence of a therapeutic relationship is one of the fundamental prerequisites for the HC providers to access a patient's medical data. Therefore, the eHealth platform makes available to the actors, involved in the exchange, storage or referencing personal data, a relay service to manage those therapeutic relationships and associated means of evidence<sup>1</sup>.

This relay service is obviously limited to therapeutic links, made available at the eHealth platform level by the 'owner' of this therapeutic link (such as the HC party declaring a therapeutic link or the actor responsible of a recognized specific database, e.g. for Global Medical File relationship).

A therapeutic link is a relationship between a patient and a HC party for a certain type of therapeutic relationship over a period of validity depending on the given evidence. It is not possible to update an existing the therapeutic link; to update information one first needs to revoke the existing therapeutic link.

However, the period of validity of an active therapeutic link could be extended on the condition that

- the start -date of the new period is greater or equal to the start date of the period to be extended  
and
- the end-date of the new period is greater than the end-date of the period to be extended (overlap of period of validity)

The following operations (request-response operation type) will support the management of these links<sup>2</sup>:

<b>PutTherapeuticLink</b>	Used to declare the therapeutic links. Its main purpose is to allow one to declare a therapeutic link.
<b>RevokeTherapeuticLink</b>	Used to revoke the therapeutic links. Its main purpose is to allow one to "end" the (declaration of a) therapeutic link.
<b>GetTherapeuticLink</b>	Used to consult therapeutic links according to basic search parameters. Its main purpose is to allow one to check the existence of the therapeutic links when executing a consultation process.
<b>HasTherapeuticLink</b>	Used to check the existence of a therapeutic link.

The therapeutic links are managed, according to the rules corresponding to the type of therapeutic link, through:

- specific **WS** by HC professionals as end-users through their usual software or through an authorized organization<sup>3</sup>,
- a dedicated web application, currently called **PHV MyHealth**<sup>4</sup> with following end-users:
  - patients;

---

<sup>1</sup> Supported evidences are described in the paragraph 5.2.7

<sup>2</sup> Global Medical File (gmd) does support neither declaration nor revocation. Only physicians are allowed to consult 'gmd'

<sup>3</sup> Only the consultation service is available for healthcare professionals through authorized organizations.

<sup>4</sup> PHV MyHealth Web Application manages also patient consent and healthcare party exclusions.



## General comments

- The proposed interfaces are **extensions** of the interfaces defined for the same purpose in the context of the Hub & MetaHub project (see <https://www.ehealth.fgov.be/standards/kmehr/nl/>). At the time of writing, those services are **not yet** integrated in this project.

Those interfaces are quite “generic” meaning they support various combinations of the input parameters. The service does not support all the possible combinations at the interface level. The rationale for this is mainly to preserve the privacy of the patient, but sometimes for technical reasons.

Please consult the associated deliberations of the “Comité Sectoriel Section Santé” for more information about the rules and principles of utilization of this service.

## 2.2 Goal of the document

This document describes the use of the therapeutic link service as provided by the eHealth platform. In this cookbook, we explain the structure and content aspects of the possible requests and the replies of a therapeutic link WS. An example illustrates each of those messages. In addition, a list of possible errors can be found in this document.

This information should allow (the IT department of) an organization to develop and use the WS call.

Some technical and legal requirements must be met in order to allow the integration of the eHealth WSs in client applications.

This document is neither a development nor a programming guide for internal applications: eHealth partners always keep a total freedom within those fields. Nevertheless, in order to interact in a smooth, homogeneous and risk controlled way with a maximum of partners, eHealth partners must commit to comply with specifications, data format, and release processes described within this document. In addition, our partners in the health sector must also comply with the business rules of validation and integration of data within their own applications in order to minimize errors and incidents.

## 2.3 eHealth platform document references

All the document references can be found on the eHealth portal<sup>5</sup>. These versions or any following versions can be used for the eHealth service.

ID	Title	Version	Date	Author
1	Glossary.pdf	1.0	1.1.2010	eHealth
2	Secure token service (STS) HolderofKey - Cookbook	1.6	25/01/2023	eHealth

---

<sup>5</sup> <https://ehealth.fgov.be/ehealthplatform>

## 2.4 External document references

All documents can be found through the internet. They are available to the public, but not supported by eHealth.

ID	Title	Source	Date	Author
1	OASIS – Web services security – SAML Token Profile	<a href="http://www.oasis-open.org/committees/download.php/16768/wssv1.1-spec-os-SAMLTokenProfile.pdf">http://www.oasis-open.org/committees/download.php/16768/wssv1.1-spec-os-SAMLTokenProfile.pdf</a>	NA	NA
2	The Internet Engineering Task Force (IETF)	<a href="https://www.ietf.org/rfc/rfc2119.txt">https://www.ietf.org/rfc/rfc2119.txt</a>	NA	NA
3	BouncyCastle	<a href="http://www.bouncycastle.org/">http://www.bouncycastle.org/</a>	NA	NA

## 2.5 Use of keywords

The key words "MUST", "MUST NOT", "REQUIRED", "SHALL", "SHALL NOT", "SHOULD", "SHOULD NOT", "RECOMMENDED", "MAY", and "OPTIONAL" in this document are to be interpreted as described in IETF RFC 2119.

## 3. Support

### 3.1 Helpdesk eHealth platform

#### 3.1.1 Certificates

In order to access the secured eHealth platform environment you have to obtain an eHealth platform certificate, used to identify the initiator of the request. In case you do not have one, please consult the chapter about the eHealth Certificates on the portal of the eHealth platform

- <https://www.ehealth.fgov.be/ehealthplatform/nl/ehealth-certificaten>
- <https://www.ehealth.fgov.be/ehealthplatform/fr/certificats-ehealth>

For technical issues regarding eHealth platform certificates

- Acceptance: [acceptance-certificates@ehealth.fgov.be](mailto:acceptance-certificates@ehealth.fgov.be)
- Production: [support@ehealth.fgov.be](mailto:support@ehealth.fgov.be)

#### 3.1.2 For issues in production

eHealth platform contact centre:

- Phone: 02 788 51 55 (on working days from 7 am till 8 pm)
- Mail: [support@ehealth.fgov.be](mailto:support@ehealth.fgov.be)
- Contact Form :
  - <https://www.ehealth.fgov.be/ehealthplatform/nl/contact> (Dutch)
  - <https://www.ehealth.fgov.be/ehealthplatform/fr/contact> (French)

#### 3.1.3 For issues in acceptance

[Integration-support@ehealth.fgov.be](mailto:Integration-support@ehealth.fgov.be)

#### 3.1.4 For business issues

- regarding an existing project: the project manager in charge of the application or service
- regarding a new project or other business issues: [info@ehealth.fgov.be](mailto:info@ehealth.fgov.be)

### 3.2 Status

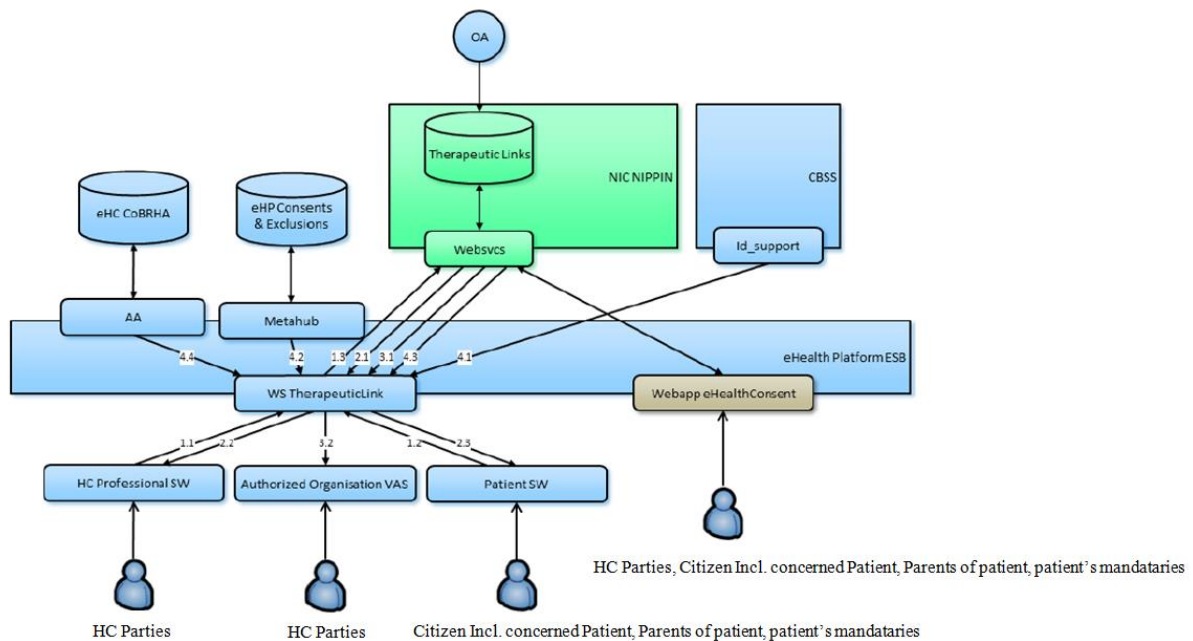
The website <https://status.ehealth.fgov.be> is the monitoring and information tool for the ICT functioning of the eHealth services that are partners of the Belgian eHealth system.





## 4. Global overview

Schéma



The schema gives the users of this cookbook the overview of the management of the therapeutic links.

- The eHealth Consent WA will allow both patients (incl. patient's parents or mandataries) and authorized HC parties to manage the therapeutic links (declaration, revocation, and consultation).
  - ⇒ **Legacy : The eHealth Consent WA is replaced by PHV MyHealth WA**  
(<https://www.myhealth.belgium.be>)
- The authorized HC parties, citizen (incl. concerned patients, parents of patients or patient's mandataries) are also able to perform the same operations throughout their usual software by calling the eHealth Therapeutic Links WS.
- The authorized HC organizations are only authorized to verify the existence of the therapeutic links before allowing the HC parties to access the medical data of the patients by calling the Therapeutic Link consultation WS through their application.

## 5. Step-by-step

### 5.1 Technical requirements

#### 5.1.1 Use of the eHealth SSO solution

This section specifies how to obtain a SAML token from the Secure Token Service (STS) in order to have access to the Therapeutic Link WS. There are different types of users each requiring a different type of token to access the service. Therefore, this section will be updated each time a new type of user has been added. The remainder of this section describes the needed attributes for each type of user. For more details on how STS works, see

<https://www.ehealth.fgov.be/ehealthplatform/fr/service-iam-identity-access-management>

##### 5.1.1.1 HC Parties

###### 5.1.1.1.1 Physician

The request for the SAML token is secured with the eID<sup>6</sup> of the physician. The certificate used by the Holder-Of-Key (HOK) verification mechanism is an eHealth certificate<sup>7</sup>. The needed attributes are the following (AttributeNamespace: "urn:be:fgov:identification-namespace"):

- The social security identification number of the physician:  
*urn:be:fgov:ehealth:1.0:certificateholder:person:ssin* and *urn:be:fgov:person:ssin*

Physician must also specify which information must be asserted by the eHealth platform:

- The social security identification number of the physician: (AttributeNamespace: "urn:be:fgov:identification-namespace")  
*urn:be:fgov:ehealth:1.0:certificateholder:person:ssin* and *urn:be:fgov:person:ssin*
- To have access to the Therapeutic Link WS, the person must be a physician: (AttributeNamespace: *urn:be:fgov:certifiednamespace:ehealth*) *urn:be:fgov:person:ssin:ehealth:1.0:fpsph:doctor:boolean*
- Physician uses his/her personal certificate (AttributeNamespace: "urn:be:fgov:certified-namespace:ehealth")  
*urn:be:fgov:ehealth:1.0:certificateholder:person:ssin:usersession:boolean*

###### 5.1.1.1.2 Nurse

The request for the SAML token is secured with the eID<sup>6</sup> of the nurse. The certificate used by the HOK verification mechanism is an eHealth certificate. The required attributes are the following (AttributeNamespace: "urn:be:fgov:identification-namespace"):

- The social security identification number of the nurse:  
*urn:be:fgov:ehealth:1.0:certificateholder:person:ssin* and *urn:be:fgov:person:ssin*

Nurse must also specify which information must be asserted by the eHealth platform:

- The social security identification number of the nurse: (AttributeNamespace: "urn:be:fgov:identification-namespace")  
*urn:be:fgov:ehealth:1.0:certificateholder:person:ssin* and *urn:be:fgov:person:ssin*

---

<sup>6</sup> As fallback, in absence of the eID, the personal eHealth certificate can be used for authentication instead

- To have access to the Therapeutic Link WS, the person must be a nurse: (AttributeNamespace: *urn:be:fgov:certifiednamespace:ehealth*)  
*urn:be:fgov:person:ssin:ehealth:1.0:fpsph:nurse:boolean*
- Nurse uses his/her personal certificate (AttributeNamespace: "*urn:be:fgov:certified-namespace:ehealth*")  
*urn:be:fgov:ehealth:1.0:certificateholder:person:ssin:usersession:boolean*

#### 5.1.1.1.3 Dentist

The request for the SAML token is secured with the eID of the dentist. The certificate used by the HOK verification mechanism is an eHealth certificate. The required attributes are the following (AttributeNamespace: "*urn:be:fgov:identification-namespace*"):

- The social security identification number of the dentist:  
*urn:be:fgov:ehealth:1.0:certificateholder:person:ssin* and *urn:be:fgov:person:ssin*

Dentist must also specify which information must be asserted by the eHealth platform:

- The social security identification number of the dentist: (AttributeNamespace: "*urn:be:fgov:identification-namespace*")  
*urn:be:fgov:ehealth:1.0:certificateholder:person:ssin* and *urn:be:fgov:person:ssin*
- To have access to the Therapeutic Link WS, the person must be a dentist: (AttributeNamespace: *urn:be:fgov:certifiednamespace:ehealth*)  
*urn:be:fgov:person:ssin:ehealth:1.0:fpsph:dentist:boolean*
- Dentist uses his/her personal certificate (AttributeNamespace: "*urn:be:fgov:certified-namespace:ehealth*")  
*urn:be:fgov:ehealth:1.0:certificateholder:person:ssin:usersession:boolean*

#### 5.1.1.1.4 Midwife

The request for the SAML token is secured with the eID of the midwife. The certificate used by the HOK verification mechanism is an eHealth certificate. The required attributes are the following (AttributeNamespace: "*urn:be:fgov:identification-namespace*"):

- The social security identification number of the midwife:  
*urn:be:fgov:ehealth:1.0:certificateholder:person:ssin* and *urn:be:fgov:person:ssin*

Midwife must also specify which information must be asserted by the eHealth platform:

- The social security identification number of the midwife: (AttributeNamespace: "*urn:be:fgov:identification-namespace*")  
*urn:be:fgov:ehealth:1.0:certificateholder:person:ssin* and *urn:be:fgov:person:ssin*
- To have access to the Therapeutic Link WS, the person must be a midwife: (AttributeNamespace: *urn:be:fgov:certifiednamespace:ehealth*)  
*urn:be:fgov:person:ssin:ehealth:1.0:fpsph:midwife:boolean*
- Midwife uses his/her personal certificate (AttributeNamespace: "*urn:be:fgov:certified-namespace:ehealth*")  
*urn:be:fgov:ehealth:1.0:certificateholder:person:ssin:usersession:boolean*



#### 5.1.1.1.5 Audician

The request for the SAML token is secured with the eID of the audician. The certificate used by the HOK verification mechanism is an eHealth certificate. The required attributes are the following (AttributeNamespace: "urn:be:fgov:identification-namespace"):

- The SSIN of the audician:
  - *urn:be:fgov:ehealth:1.0:certificateholder:person:ssin*
  - *urn:be:fgov:person:ssin*

Audician must also specify which information must be asserted by the eHealth platform:

- The SSIN of the audician (AttributeNamespace: "urn:be:fgov:identification-namespace"):
  - *urn:be:fgov:ehealth:1.0:certificateholder:person:ssin*
  - *urn:be:fgov:person:ssin*
- The audician uses his/her personal certificate (AttributeNamespace: "urn:be:fgov:certified-namespace:ehealth")
  - *urn:be:fgov:ehealth:1.0:certificateholder:person:ssin:usersession:boolean*
- To have access to the Therapeutic Link WS, the person must be a audician (AttributeNamespace: *urn:be:fgov:certifiednamespace:ehealth*):
  - *urn:be:fgov:person:ssin:ehealth:1.0:fpsph:audician:boolean*

#### 5.1.1.1.6 Physiotherapist

The request for the SAML token is secured with the eID of the physiotherapist. The certificate used by the HOK verification mechanism is an eHealth certificate. The required attributes are the following (AttributeNamespace: "urn:be:fgov:identification-namespace"):

- The SSIN of the physiotherapist:
  - *urn:be:fgov:ehealth:1.0:certificateholder:person:ssin*
  - *urn:be:fgov:person:ssin*

Physiotherapist must also specify which information must be asserted by the eHealth platform:

- The SSIN of the physiotherapist (AttributeNamespace: "urn:be:fgov:identification-namespace"):
  - *urn:be:fgov:ehealth:1.0:certificateholder:person:ssin*
  - *urn:be:fgov:person:ssin*
- The physiotherapist uses his/her personal certificate (AttributeNamespace: "urn:be:fgov:certified-namespace:ehealth")
  - *urn:be:fgov:ehealth:1.0:certificateholder:person:ssin:usersession:boolean*
- To have access to the Therapeutic Link WS, the person must be a physiotherapist (AttributeNamespace: *urn:be:fgov:certifiednamespace:ehealth*):
  - *urn:be:fgov:person:ssin:ehealth:1.0:fpsph:physiotherapist:Boolean*

#### 5.1.1.1.7 Occupational Therapist

The request for the SAML token is secured with the eID of the occupational therapist. The certificate used by the HOK verification mechanism is an eHealth certificate. The required attributes are the following (AttributeNamespace: "urn:be:fgov:identification-namespace"):

- The SSIN of the occupational therapist:



- *urn:be:fgov:health:1.0:certificateholder:person:ssin*
- *urn:be:fgov:person:ssin*

Occupational therapist must also specify which information must be asserted by the eHealth platform:

- The SSIN of the occupational therapist (AttributeNamespace: "*urn:be:fgov:identification-namespace*"):
  - *urn:be:fgov:health:1.0:certificateholder:person:ssin*
  - *urn:be:fgov:person:ssin*
- The occupational therapist uses his/her personal certificate (AttributeNamespace: "*urn:be:fgov:certified-namespace:health*")
  - *urn:be:fgov:health:1.0:certificateholder:person:ssin:usersession:boolean*
- To have access to the Therapeutic Link WS, the person must be an occupational therapist (AttributeNamespace: *urn:be:fgov:certifiednamespace:health*):
  - *urn:be:fgov:person:ssin:health:1.0:fpsph:occupationaltherapist:boolean*

#### 5.1.1.1.8 Practical nurse

The request for the SAML token is secured with the eID of the practical nurse. The certificate used by the HOK verification mechanism is an eHealth certificate. The required attributes are the following (AttributeNamespace: "*urn:be:fgov:identification-namespace*"):

- The SSIN of the practical nurse:
  - *urn:be:fgov:health:1.0:certificateholder:person:ssin*
  - *urn:be:fgov:person:ssin*

Practical nurse must also specify which information must be asserted by the eHealth platform:

- The SSIN of the practical nurse (AttributeNamespace: "*urn:be:fgov:identification-namespace*"):
  - *urn:be:fgov:health:1.0:certificateholder:person:ssin*
  - *urn:be:fgov:person:ssin*
- The practical nurse uses his/her personal certificate (AttributeNamespace: "*urn:be:fgov:certified-namespace:health*")
  - *urn:be:fgov:health:1.0:certificateholder:person:ssin:usersession:boolean*
- To have access to the Therapeutic Link WS, the person must be a practical nurse (AttributeNamespace: *urn:be:fgov:certifiednamespace:health*):
  - *urn:be:fgov:person:ssin:health:1.0:fpsph:practicalnurse:boolean*

#### 5.1.1.1.9 Dietician

The request for the SAML token is secured with the eID of the dietician. The certificate used by the HOK verification mechanism is an eHealth certificate. The required attributes are the following (AttributeNamespace: "*urn:be:fgov:identification-namespace*"):

- The SSIN of the dietician:
  - *urn:be:fgov:health:1.0:certificateholder:person:ssin*
  - *urn:be:fgov:person:ssin*

Dietician must also specify which information must be asserted by the eHealth platform:

- The SSIN of the dietician (AttributeNamespace: "*urn:be:fgov:identification-namespace*"):
  - *urn:be:fgov:health:1.0:certificateholder:person:ssin*



- *urn:be:fgov:person:ssin*
- The dietician uses his/her personal certificate (AttributeNamespace: "*urn:be:fgov:certifiednamespace:ehealth*")
  - *urn:be:fgov:ehealth:1.0:certificateholder:person:ssin:usersession:boolean*
- To have access to the Therapeutic Link WS, the person must be a dietician (AttributeNamespace: "*urn:be:fgov:certifiednamespace:ehealth*"):
  - *urn:be:fgov:person:ssin:ehealth:1.0:fpsph:dietician:boolean*

#### 5.1.1.1.10 Audiologist

The request for the SAML token is secured with the eID of the audiologist. The certificate used by the HOK verification mechanism is an eHealth certificate. The required attributes are the following (AttributeNamespace: "*urn:be:fgov:identification-namespace*"):

- The SSIN of the audiologist:
  - *urn:be:fgov:ehealth:1.0:certificateholder:person:ssin*
  - *urn:be:fgov:person:ssin*

Audiologist must also specify which information must be asserted by the eHealth platform:

- The SSIN of the audiologist (AttributeNamespace: "*urn:be:fgov:identification-namespace*"):
  - *urn:be:fgov:ehealth:1.0:certificateholder:person:ssin*
  - *urn:be:fgov:person:ssin*
- The audiologist uses his/her personal certificate (AttributeNamespace: "*urn:be:fgov:certifiednamespace:ehealth*")
  - *urn:be:fgov:ehealth:1.0:certificateholder:person:ssin:usersession:boolean*
- To have access to the Therapeutic Link WS, the person must be an audiologist (AttributeNamespace: "*urn:be:fgov:certifiednamespace:ehealth*"):
  - *urn:be:fgov:person:ssin:ehealth:1.0:fpsph:audiologist:boolean*

#### 5.1.1.1.11 Podologist

The request for the SAML token is secured with the eID of the podologist. The certificate used by the HOK verification mechanism is an eHealth certificate. The required attributes are the following (AttributeNamespace: "*urn:be:fgov:identification-namespace*"):

- The SSIN of the podologist:
  - *urn:be:fgov:ehealth:1.0:certificateholder:person:ssin*
  - *urn:be:fgov:person:ssin*

Podologist must also specify which information must be asserted by the eHealth platform:

- The SSIN of the podologist (AttributeNamespace: "*urn:be:fgov:identification-namespace*"):
  - *urn:be:fgov:ehealth:1.0:certificateholder:person:ssin*
  - *urn:be:fgov:person:ssin*
- The podologist uses his/her personal certificate (AttributeNamespace: "*urn:be:fgov:certifiednamespace:ehealth*")
  - *urn:be:fgov:ehealth:1.0:certificateholder:person:ssin:usersession:boolean*



- To have access to the Therapeutic Link WS, the person must be a podologist (AttributeNamespace: *urn:be:fgov:certifiednamespace:ehealth*):
  - *urn:be:fgov:person:ssin:ehealth:1.0:fpsph:podologist:boolean*

#### 5.1.1.1.12 Truss maker

The request for the SAML token is secured with the eID of the truss maker. The certificate used by the HOK verification mechanism is an eHealth certificate. The required attributes are the following (AttributeNamespace: "*urn:be:fgov:identification-namespace*"):

- The SSIN of the truss maker:
  - *urn:be:fgov:ehealth:1.0:certificateholder:person:ssin*
  - *urn:be:fgov:person:ssin*

Truss maker must also specify which information must be asserted by the eHealth platform:

- The SSIN of the truss maker (AttributeNamespace: "*urn:be:fgov:identification-namespace*"):
  - *urn:be:fgov:ehealth:1.0:certificateholder:person:ssin*
  - *urn:be:fgov:person:ssin*
- The truss maker uses his/her personal certificate (AttributeNamespace: "*urn:be:fgov:certified-namespace:ehealth*")
  - *urn:be:fgov:ehealth:1.0:certificateholder:person:ssin:usersession:boolean*
- To have access to the Therapeutic Link WS, the person must be a truss maker (AttributeNamespace: *urn:be:fgov:certifiednamespace:ehealth*):
  - *urn:be:fgov:person:ssin:ehealth:1.0:fpsph:trussmaker:Boolean*

#### 5.1.1.1.13 OT mobility improvement

The request for the SAML token is secured with the eID of the OT mobility improvement. The certificate used by the HOK verification mechanism is an eHealth certificate. The required attributes are the following (AttributeNamespace: "*urn:be:fgov:identification-namespace*"):

- The SSIN of the OT mobility improvement:
  - *urn:be:fgov:ehealth:1.0:certificateholder:person:ssin*
  - *urn:be:fgov:person:ssin*

OT mobility improvement must also specify which information must be asserted by the eHealth platform:

- The SSIN of the OT mobility improvement (AttributeNamespace: "*urn:be:fgov:identification-namespace*"):
  - *urn:be:fgov:ehealth:1.0:certificateholder:person:ssin*
  - *urn:be:fgov:person:ssin*
- The OT mobility improvement uses his/her personal certificate (AttributeNamespace: "*urn:be:fgov:certified-namespace:ehealth*")
  - *urn:be:fgov:ehealth:1.0:certificateholder:person:ssin:usersession:boolean*
- To have access to the Therapeutic Link WS, the person must be an OT mobility improvement (AttributeNamespace: *urn:be:fgov:certifiednamespace:ehealth*):
  - *urn:be:fgov:person:ssin:ehealth:1.0:fpsph:otmobilityimprovement:boolean*



#### 5.1.1.1.14 OT bandages orthosiology

The request for the SAML token is secured with the eID of the OT bandages orthosiology. The certificate used by the HOK verification mechanism is an eHealth certificate. The required attributes are the following (AttributeNamespace: "urn:be:fgov:identification-namespace"):

- The SSIN of the OT bandages orthosiology:
  - *urn:be:fgov:ehealth:1.0:certificateholder:person:ssin*
  - *urn:be:fgov:person:ssin*

OT bandages orthosiology must also specify which information must be asserted by the eHealth platform:

- The SSIN of the OT bandages orthosiology (AttributeNamespace: "urn:be:fgov:identification-namespace"):
  - *urn:be:fgov:ehealth:1.0:certificateholder:person:ssin*
  - *urn:be:fgov:person:ssin*
- The OT bandages orthosiology uses his/her personal certificate (AttributeNamespace: "urn:be:fgov:certified-namespace:ehealth")
  - *urn:be:fgov:ehealth:1.0:certificateholder:person:ssin:usersession:boolean*
- To have access to the Therapeutic Link WS, the person must be an OT bandages orthosiology (AttributeNamespace: urn:be:fgov:certifiednamespace:ehealth):
  - *urn:be:fgov:person:ssin:ehealth:1.0:fpsph:otbandagesorthosiology:boolean*

#### 5.1.1.1.15 OT prosthesiology

The request for the SAML token is secured with the eID of the OT prosthesiology. The certificate used by the HOK verification mechanism is an eHealth certificate. The required attributes are the following (AttributeNamespace: "urn:be:fgov:identification-namespace"):

- The SSIN of the OT prosthesiology:
  - *urn:be:fgov:ehealth:1.0:certificateholder:person:ssin*
  - *urn:be:fgov:person:ssin*

OT prosthesiology must also specify which information must be asserted by the eHealth platform:

- The SSIN of the OT prosthesiology (AttributeNamespace: "urn:be:fgov:identification-namespace"):
  - *urn:be:fgov:ehealth:1.0:certificateholder:person:ssin*
  - *urn:be:fgov:person:ssin*
- The OT prosthesiology uses his/her personal certificate (AttributeNamespace: "urn:be:fgov:certified-namespace:ehealth")
  - *urn:be:fgov:ehealth:1.0:certificateholder:person:ssin:usersession:boolean*
- To have access to the Therapeutic Link WS, the person must be an OT prosthesiology (AttributeNamespace: urn:be:fgov:certifiednamespace:ehealth):
  - *urn:be:fgov:person:ssin:ehealth:1.0:fpsph:otprosthesiology:boolean*

#### 5.1.1.1.16 OT shoe technology

The request for the SAML token is secured with the eID of the OT shoe technology. The certificate used by the HOK verification mechanism is an eHealth certificate. The required attributes are the following (AttributeNamespace: "urn:be:fgov:identification-namespace"):

- The SSIN of the OT shoe technology:





- *urn:be:fgov:ehhealth:1.0:certificateholder:person:ssin*
- *urn:be:fgov:person:ssin*

OT shoe technology must also specify which information must be asserted by the eHealth platform:

- The SSIN of the OT shoe technology (AttributeNamespace: "*urn:be:fgov:identification-namespace*"):
  - *urn:be:fgov:ehhealth:1.0:certificateholder:person:ssin*
  - *urn:be:fgov:person:ssin*
- The OT shoe technology uses his/her personal certificate (AttributeNamespace: "*urn:be:fgov:certified-namespace:ehhealth*")
  - *urn:be:fgov:ehhealth:1.0:certificateholder:person:ssin:usersession:boolean*
- To have access to the Therapeutic Link WS, the person must be an OT shoe technology (AttributeNamespace: *urn:be:fgov:certifiednamespace:ehhealth*):
  - *urn:be:fgov:person:ssin:ehhealth:1.0:fpsph:otshoetechnology:boolean*

#### 5.1.1.1.17 Logopedist

The request for the SAML token is secured with the eID of the logopedist. The certificate used by the HOK verification mechanism is an eHealth certificate. The required attributes are the following (AttributeNamespace: "*urn:be:fgov:identification-namespace*"):

- The SSIN of the logopedist:
  - *urn:be:fgov:ehhealth:1.0:certificateholder:person:ssin*
  - *urn:be:fgov:person:ssin*

Logopedist must also specify which information must be asserted by eHealth:

- The SSIN of the logopedist (AttributeNamespace: "*urn:be:fgov:identification-namespace*"):
  - *urn:be:fgov:ehhealth:1.0:certificateholder:person:ssin*
  - *urn:be:fgov:person:ssin*
- The logopedist uses his/her personal certificate (AttributeNamespace: "*urn:be:fgov:certified-namespace:ehhealth*")
  - *urn:be:fgov:ehhealth:1.0:certificateholder:person:ssin:usersession:boolean*
- To have access to the Therapeutic Link WS, the person must be a logopedist (AttributeNamespace: *urn:be:fgov:certifiednamespace:ehhealth*):
  - *urn:be:fgov:person:ssin:ehhealth:1.0:fpsph:logopedist:boolean*

#### 5.1.1.1.18 Orthoptist

The request for the SAML token is secured with the eID of the orthoptist. The certificate used by the HOK verification mechanism is an eHealth certificate. The required attributes are the following (AttributeNamespace: "*urn:be:fgov:identification-namespace*"):

- The SSIN of the orthoptist:
  - *urn:be:fgov:ehhealth:1.0:certificateholder:person:ssin*
  - *urn:be:fgov:person:ssin*

Orthoptist must also specify which information must be asserted by the eHealth platform:

- The SSIN of the orthoptist (AttributeNamespace: "*urn:be:fgov:identification-namespace*"):
  - *urn:be:fgov:ehhealth:1.0:certificateholder:person:ssin*



- *urn:be:fgov:person:ssin*
- The orthoptist uses his/her personal certificate (AttributeNamespace: "*urn:be:fgov:certified-namespaces:ehealth*")
  - *urn:be:fgov:ehealth:1.0:certificateholder:person:ssin:usersession:boolean*
- To have access to the Therapeutic Link WS, the person must be a orthoptist (AttributeNamespace: "*urn:be:fgov:certifiednamespaces:ehealth*"):
  - *urn:be:fgov:person:ssin:ehealth:1.0:fpsph:orthoptist:Boolean*

#### 5.1.1.1.19 Optometrist

The request for the SAML token is secured with the eID of the optometrist. The certificate used by the HOK verification mechanism is an eHealth certificate. The required attributes are the following (AttributeNamespace: "*urn:be:fgov:identification-namespaces*"):

- The SSIN of the optometrist:
  - *urn:be:fgov:ehealth:1.0:certificateholder:person:ssin*
  - *urn:be:fgov:person:ssin*

Optometrist must also specify which information must be asserted by the eHealth platform:

- The SSIN of the optometrist (AttributeNamespace: "*urn:be:fgov:identification-namespaces*"):
  - *urn:be:fgov:ehealth:1.0:certificateholder:person:ssin*
  - *urn:be:fgov:person:ssin*
- The optometrist uses his/her personal certificate (AttributeNamespace: "*urn:be:fgov:certified-namespaces:ehealth*")
  - *urn:be:fgov:ehealth:1.0:certificateholder:person:ssin:usersession:boolean*
- To have access to the Therapeutic Link WS, the person must be an optometrist (AttributeNamespace: "*urn:be:fgov:certifiednamespaces:ehealth*"):
  - *urn:be:fgov:person:ssin:ehealth:1.0:fpsph:optometrist:boolean*

#### 5.1.1.1.20 Lab technologist

The request for the SAML token is secured with the eID of the lab technologist. The certificate used by the HOK verification mechanism is an eHealth certificate. The required attributes are the following (AttributeNamespace: "*urn:be:fgov:identification-namespaces*"):

- The SSIN of the lab technologist:
  - *urn:be:fgov:ehealth:1.0:certificateholder:person:ssin*
  - *urn:be:fgov:person:ssin*

Lab technologist must also specify which information must be asserted by the eHealth platform:

- The SSIN of the lab technologist (AttributeNamespace: "*urn:be:fgov:identification-namespaces*"):
  - *urn:be:fgov:ehealth:1.0:certificateholder:person:ssin*
  - *urn:be:fgov:person:ssin*
- The lab technologist uses his/her personal certificate (AttributeNamespace: "*urn:be:fgov:certified-namespaces:ehealth*")
  - *urn:be:fgov:ehealth:1.0:certificateholder:person:ssin:usersession:boolean*



- To have access to the Therapeutic Link WS, the person must be a lab technologist (AttributeNamespace: *urn:be:fgov:certifiednamespace:ehealth*):
  - *urn:be:fgov:person:ssin:ehealth:1.0:fpsph:labtechnologist:boolean*

#### 5.1.1.1.21 Imaging technologist

The request for the SAML token is secured with the eID of the imaging technologist. The certificate used by the HOK verification mechanism is an eHealth certificate. The required attributes are the following (AttributeNamespace: "*urn:be:fgov:identification-namespace*"):

- The SSIN of the imaging technologist:
  - *urn:be:fgov:ehealth:1.0:certificateholder:person:ssin*
  - *urn:be:fgov:person:ssin*

Imaging technologist must also specify which information must be asserted by the eHealth platform:

- The SSIN of the imaging technologist (AttributeNamespace: "*urn:be:fgov:identification-namespace*"):
  - *urn:be:fgov:ehealth:1.0:certificateholder:person:ssin*
  - *urn:be:fgov:person:ssin*
- The imaging technologist uses his/her personal certificate (AttributeNamespace: "*urn:be:fgov:certified-namespace:ehealth*")
  - *urn:be:fgov:ehealth:1.0:certificateholder:person:ssin:usersession:boolean*
- To have access to the Therapeutic Link WS, the person must be a imaging technologist (AttributeNamespace: *urn:be:fgov:certifiednamespace:ehealth*):
  - *urn:be:fgov:person:ssin:ehealth:1.0:fpsph:imagingtechnologist:boolean*

#### 5.1.1.1.22 Clinical orthopedic pedagogue

The request for the SAML token is secured with the eID of the clinical orthopedic pedagogue. The certificate used by the HOK verification mechanism is an eHealth certificate. The required attributes are the following (AttributeNamespace: "*urn:be:fgov:identification-namespace*"):

- The SSIN of the clinical orthopedic pedagogue:
  - *urn:be:fgov:ehealth:1.0:certificateholder:person:ssin*
  - *urn:be:fgov:person:ssin*

Clinical orthopedic pedagogue must also specify which information must be asserted by the eHealth platform:

- The SSIN of the clinical orthopedic pedagogue (AttributeNamespace: "*urn:be:fgov:identification-namespace*"):
  - *urn:be:fgov:ehealth:1.0:certificateholder:person:ssin*
  - *urn:be:fgov:person:ssin*
- The clinical orthopedic pedagogue uses his/her personal certificate (AttributeNamespace: "*urn:be:fgov:certified-namespace:ehealth*")
  - *urn:be:fgov:ehealth:1.0:certificateholder:person:ssin:usersession:boolean*
- To have access to the Therapeutic Link WS, the person must be a clinical orthopedic pedagogue (AttributeNamespace: *urn:be:fgov:certifiednamespace:ehealth*):
  - *urn:be:fgov:person:ssin:ehealth:1.0:fpsph:clinicalorthopedicpedagogue:boolean*



#### 5.1.1.1.23 Clinical psychologist

The request for the SAML token is secured with the eID of the clinical psychologist. The certificate used by the HOK verification mechanism is an eHealth certificate. The required attributes are the following (AttributeNamespace: "urn:be:fgov:identification-namespace"):

- The SSIN of the clinical psychologist:
  - *urn:be:fgov:ehealth:1.0:certificateholder:person:ssin*
  - *urn:be:fgov:person:ssin*

Clinical psychologist must also specify which information must be asserted by the eHealth platform:

- The SSIN of the clinical psychologist (AttributeNamespace: "urn:be:fgov:identification-namespace"):
  - *urn:be:fgov:ehealth:1.0:certificateholder:person:ssin*
  - *urn:be:fgov:person:ssin*
- The clinical psychologist uses his/her personal certificate (AttributeNamespace: "urn:be:fgov:certified-namespace:ehealth")
  - *urn:be:fgov:ehealth:1.0:certificateholder:person:ssin:usersession:boolean*
- To have access to the Therapeutic Link WS, the person must be a clinical psychologist (AttributeNamespace: urn:be:fgov:certifiednamespace:ehealth):
  - *urn:be:fgov:person:ssin:ehealth:1.0:fpsph:clinicalpsychologist:boolean*

#### 5.1.1.1.24 Dental hygienist

The request for the SAML token is secured with the eID of the dental hygienist. The certificate used by the HOK verification mechanism is an eHealth certificate. The required attributes are the following (AttributeNamespace: "urn:be:fgov:identification-namespace"):

- The SSIN of the dental hygienist:
  - *urn:be:fgov:ehealth:1.0:certificateholder:person:ssin*
  - *urn:be:fgov:person:ssin*

Dental hygienist must also specify which information must be asserted by the eHealth platform:

- The SSIN of the dental hygienist (AttributeNamespace: "urn:be:fgov:identification-namespace"):
  - *urn:be:fgov:ehealth:1.0:certificateholder:person:ssin*
  - *urn:be:fgov:person:ssin*
- The dental hygienist uses his/her personal certificate (AttributeNamespace: "urn:be:fgov:certified-namespace:ehealth")
  - *urn:be:fgov:ehealth:1.0:certificateholder:person:ssin:usersession:boolean*
- To have access to the Therapeutic Link WS, the person must be a clinical psychologist (AttributeNamespace: urn:be:fgov:certifiednamespace:ehealth):
  - *urn:be:fgov:person:ssin:ehealth:1.0:fpsph:dentalhygienist:boolean*

#### 5.1.1.1.25 Pharmacy

Pharmacies must specify several attributes in the request. The request to the STS is secured with the eID of the pharmacist starting the session. The certificate of the pharmacy issued by the eHealth platform is used by the HOK mechanism. The attributes that need to be provided in the request are the following (AttributeNamespace: urn:be:fgov:identification-namespace):



- The SSIN of the person starting the session (must be a pharmacist):  
*urn:be:fgov:health:1.0:certificateholder:person:ssin* and *urn:be:fgov:person:ssin*
- The identification of the pharmacy:  
*urn:be:fgov:health:1.0:pharmacy:nihii-number*
- The identification of the pharmacy holder:  
*urn:be:fgov:person:ssin:health:1.0:pharmacy-holder*

Pharmacies must also specify which information is to be asserted by the eHealth platform. To have access to the Therapeutic Link WS, the following data must be validated:

- The SSIN of the person starting the session (must be a pharmacist, this is verified by eHealth): (AttributeNamespace: *urn:be:fgov:identification-namespace*)  
*urn:be:fgov:health:1.0:certificateholder:person:ssin* and *urn:be:fgov:person:ssin*
- The NIHII number of the pharmacy (the link between the pharmacy and the pharmacist starting the session is not verified, any pharmacist can start the session): (AttributeNamespace: *urn:be:fgov:identification-namespace*)  
*urn:be:fgov:health:1.0:pharmacy:nihii-number*
- The pharmacy must be a recognized pharmacy: (AttributeNamespace: *urn:be:fgov:certified-namespace:health*)  
*urn:be:fgov:health:1.0:pharmacy:nihii-number:recognisedpharmacy:boolean*
- The identification of the pharmacy holder (SSIN), i.e. the pharmacist responsible for all activities performed in the pharmacy: (AttributeNamespace: *urn:be:fgov:identification-namespace*)  
*urn:be:fgov:person:ssin:health:1.0:pharmacy-holder*
- The identification of the pharmacy holder (NIHII11), i.e. the pharmacist responsible for all activities performed in the pharmacy: (AttributeNamespace: *urn:be:fgov:certified-namespace:health*)  
*urn:be:fgov:person:ssin:health:1.0:pharmacy-holder:certified:nihii11*
- The pharmacy holder must be the certified pharmacy holder: (AttributeNamespace: *urn:be:fgov:certified-namespace:health*)  
*urn:be:fgov:health:1.0:pharmacy:nihii-number:person:ssin:health:1.0:pharmacy-holder:boolean*
- To have access to the therapeutic link WS, the person must be a pharmacist: (AttributeNamespace: *urn:be:fgov:certifiednamespace:health*) *urn:be:fgov:person:ssin:health:1.0:fpsph:pharmacist:boolean*
- Pharmacist uses his/her personal certificate (AttributeNamespace: "urn:be:fgov:certified-namespace:health")  
*urn:be:fgov:health:1.0:certificateholder:person:ssin:usersession:boolean*

#### 5.1.1.1.26 Authorized HC organization

The SAML token request is secured with the eHealth certificate<sup>6</sup> of the organization (the certificate contains the CBE number either of the organization or, for the organizations that do not have CBE number, an identifier provided by the eHealth platform called 'eHP number'). The certificate used for the HOK verification mechanism is the same eHealth certificate. The required attributes are the following (AttributeNamespace: "urn:be:fgov:identification-namespace"):

- The CBE or eHP number of the organization:  
*urn:be:fgov:health:1.0:certificateholder:enterprise:cbe-number* or  
*urn:be:fgov:health:1.0:certificateholder:enterprise:ehp-number* and respectively  
*urn:be:fgov:kbo-bce:organization:cbe-number* or  
*urn:be:fgov:kbo-bce:organization:ehp-number*



The organization must also specify which information must be asserted by the eHealth platform:

- The CBE or eHP number of the organization:  
*urn:be:fgov:ehhealth:1.0:certificateholder:enterprise:cbe-number* or  
*urn:be:fgov:ehhealth:1.0:certificateholder:enterprise:ehp-number*
- To have access to the therapeutic link WS, the organization must be authorized for using the therapeutic link functionality (AttributeNamespace: *urn:be:fgov:certifiednamespace:ehhealth*)  
*urn:be:fgov:ehhealth:1.0:certificateholder:enterprise:cbe-number:cbe\_therapeutic\_link\_authorized:boolean*  
or  
*urn:be:fgov:ehhealth:1.0:certificateholder:organization:ehp-number:ehp\_therapeutic\_link\_authorized:boolean*

### 5.1.1.2 Citizen

#### 5.1.1.2.1 Patient

The request for the SAML token is secured with the eID of the patient (no fallback session is possible). The certificate used by the HOK verification mechanism is also a certificate from the eID. The required attributes are the following (AttributeNamespace: "*urn:be:fgov:identification-namespace*"):

- The SSIN of the patient: *urn:be:fgov:ehhealth:1.0:certificateholder:person:ssin* and *urn:be:fgov:person:ssin*

Patients must also specify which information must be asserted by eHealth:

- The SSIN of the patient: (AttributeNamespace: "*urn:be:fgov:identification-namespace*")  
*urn:be:fgov:ehhealth:1.0:certificateholder:person:ssin* and *urn:be:fgov:person:ssin*

#### 5.1.1.2.2 Parent

The request for the SAML token is secured with the eID of the parent (no fallback session is possible). The certificate used by the HOK verification mechanism is also a certificate from the eID. The required attributes are the following (AttributeNamespace: "*urn:be:fgov:identification-namespace*"):

- The SSIN of the parent: *urn:be:fgov:ehhealth:1.0:certificateholder:person:ssin* and *urn:be:fgov:person:ssin*

The user must also specify which information must be asserted by the eHealth platform:

- The SSIN: (AttributeNamespace: "*urn:be:fgov:identification-namespace*")  
*urn:be:fgov:ehhealth:1.0:certificateholder:person:ssin* and *urn:be:fgov:person:ssin*

The user is a recognized parent (AttributeNamespace: *urn:be:fgov:certifiednamespace:ehhealth*):  
*urn:be:fgov:person:ssin:ehhealth:1.0:recognisedparent:boolean*

#### 5.1.1.2.3 Mandatory

The request for the SAML token is secured with the eID of the mandatory (no fallback session is possible). The certificate used by the HOK verification mechanism is also a certificate from the eID. The required attributes are the following (AttributeNamespace: "*urn:be:fgov:identification-namespace*"):

- The SSIN of the mandatory: *urn:be:fgov:ehhealth:1.0:certificateholder:person:ssin* and *urn:be:fgov:person:ssin*
- The type of mandate for which the user is a mandatory: (AttributeNamespace: "*urn:be:fgov:identification-namespace*") *urn:be:fgov:ehhealth:1.0:servicename:external* set with value *medicaldatamanagement*

The user must also specify which information must be asserted by eHealth:

- The SSIN of the patient: (AttributeNamespace: "*urn:be:fgov:identification-namespace*")  
*urn:be:fgov:ehhealth:1.0:certificateholder:person:ssin* and *urn:be:fgov:person:ssin*



- The user is a recognized mandatory (AttributeNamespace: *urn:be:fgov:certifiednamespace:ehhealth*): *urn:be:fgov:person:ssin:ehhealth:1.0:recognisedmandatory:boolean*

### 5.1.2 Security policies to apply

We expect that you use SSL one way for the transport layer.

WS security used in this manner is in accordance with the common standards. To call the therapeutic link WS:

- Add the business message to the soap body
- Add to the SOAP header the following elements:
  - **SAML Token:** The SAML Assertion received from the eHealth STS. This assertion needs to be forwarded exactly as received in order to not to break the signature of the eHealth STS. The token needs to be added accordingly to the specifications of the OASIS SAML Token Profile (HOK). (Please refer to 'List of source' chapter)
  - Timestamp (with time-to-live of the message: one minute).
  - A **signature** that has been placed on the SOAPBody and the timestamp with the certificate of which the public key is mentioned in the SAML Assertion.
- The signature element (mentioned above) needs to contain:
  - SignedInfo with References to the SOAPBody and the Timestamp.
  - KeyInfo with a SecurityTokenReference pointing to the SAML Assertion.

See also the WSSP (WS Security Policy) in the WSDL<sup>8</sup>.

For more information on the SAML token as required to call the therapeutic link services (e.g. attributes required by different actors), see the separate document (TL\_sso.doc).

This will allow the eHealth platform to verify the integrity of the message and the identifier of the message author.

A document explaining how to implement this security policy can be obtained at the eHealth platform.

The STS cookbook can be found on the eHealth portal.

### 5.1.3 WS-I Basic Profile 1.1

Your request must be WS-I compliant (See Chap 2.4 - External Document Ref).

### 5.1.4 Tracing

To use this service, the request SHOULD contain the following two http header values (see RFC

**<https://datatracker.ietf.org/doc/html/rfc7231#section-5.5.3>):**

1. User-Agent: information identifying the software product and underlying technical stack/platform. It MUST include the minimal identification information of the software such that the emergency contact (see below) can uniquely identify the component.
  - a. Pattern: {minimal software information}/{version} {minimal connector information}/{connector-package-version}
  - b. Regular expression for each subset (separated by a space) of the pattern: `[[a-zA-Z0-9-√]*√[0-9azA-Z-_.]*`
  - c. Examples:  
 User-Agent: myProduct/62.310.4 Technical/3.19.0  
 User-Agent: Topaz-XXXX/123.23.X freeconnector/XXXXX.XXX

<sup>8</sup> WSDL's: <https://portal.api.ehealth.fgov.be/>



2. From: email-address that can be used for emergency contact in case of an operational problem.  
Examples:  
From: [info@mycompany.be](mailto:info@mycompany.be)

## 5.2 Process overview

### 5.2.1 KMEHR structure

This service is a 'KMEHR-based' WS. We thus strongly recommend consulting the documentation related to the KMEHR normative elements.

The KMEHR site aims to offer a central point for the documentation of the KMEHR normative elements.  
<https://www.ehealth.fgov.be/standards/kmehr/en>

The three following generic elements are, in particular, essentials to build the request and the reply of therapeutic link WS.

#### 5.2.1.1 *cd*

This is the key element used to code information: this section is completely based on the description from the KMEHR standard, as can be found on:

<https://www.ehealth.fgov.be/standards/kmehr/en/page/key-elements#cd>

#### 5.2.1.2 *id*

This element is used to uniquely identify key elements like request, response of the WS, patient, HC party .It can also be used to specify any unique identifier: this section is completely based on the description from the KMEHR standard, as can be found on:

<https://www.ehealth.fgov.be/standards/kmehr/en/page/key-elements#id>

#### 5.2.1.3 *HCparty*

The *HC party* element is a generic element that aims to represent any kind of HC party: organization, physician, medical specialty, or even IT systems: this section is completely based on the description from the KMEHR standard, as can be found on:

<https://www.ehealth.fgov.be/standards/kmehr/en/page/hcparty>

### 5.2.2 The end-users

Before describing the therapeutic link WS in detail, this section will talk about the different end-users who can directly or indirectly use this WS. To identify these different types of end-users, extra information should be provided in the request message.

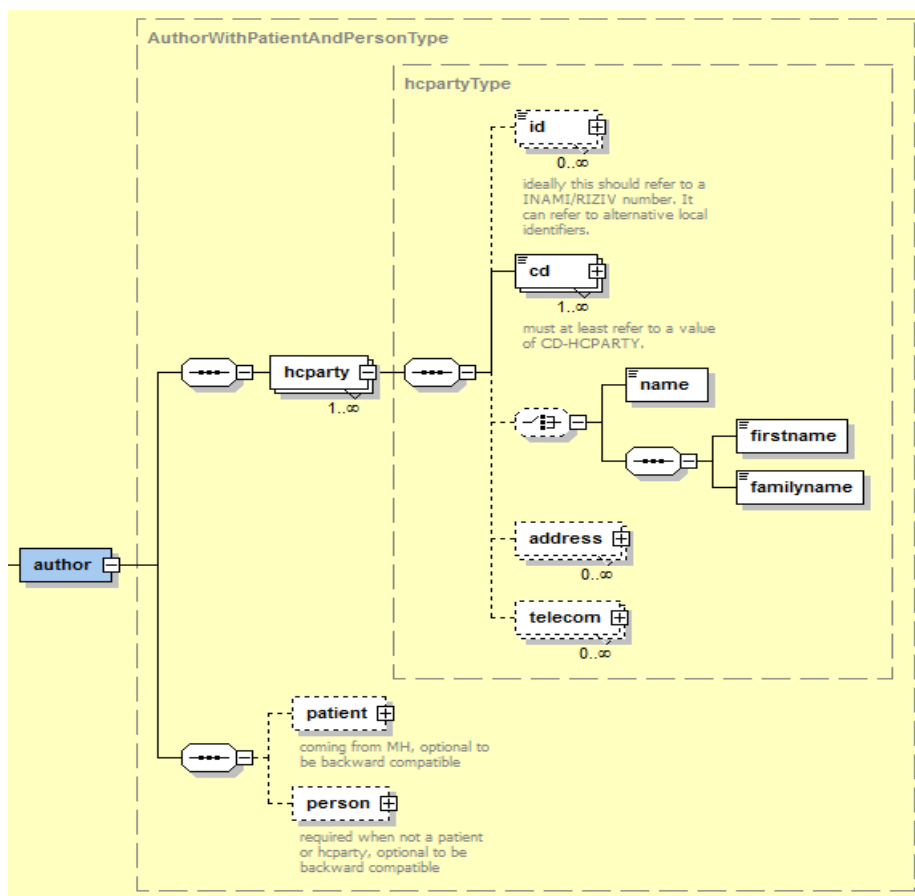
To avoid redundancy in the description of the individual request/response, we will give an overview here of some possible end-users i.e. authors descriptions.

**Remark:**

***Please comply with the predefined sequence of the elements provided in the Author element of the examples as the validation of the request/response is based on this sequence to determine the end-user profile!***







### 5.2.2.1 HC professional through his software

If the HC professional manages the therapeutic links throughout his usual software, then following identification must be provided:

- The identification of the HC professional: SSIN number, NIHII number (11 digits) if available, the HC professional category.

Additional information about the HC professional software may be added for the audit purpose.

Below you will find the list of Khmer codes to specify (CD-HCPARTY) according to the profession of the HC Party:

Profession	Khmer code
Physician	persphysician
Nurse	persnurse
Dentist	persdentist
Midwife	persmidwife
Pharmacist	perspharmacist
Audician	persaudician
Audiologist	persaudiologist

Lab technologist	persbiologist
Dietician	persdietician
Logopedist	perslogopedist
Occupational therapist	persoccupationaltherapist
Orthoptist	persorthoptist
Optometrist	persoptometrist
Physiotherapist	persphysiotherapist
Podologist	perspodologist
Practical nurse	perspracticalnurse
Imaging technologist	perstechnician
Truss maker	perstrussmaker
OT mobility improvement	persmobilityimprover
OT bandages orthosiology	persbandagistorthosiology
OT prosthesiology	persprosthesiologist
OT shoe technology	persshoetechnologist
Clinical orthopedic pedagogue	persclinicalorthopedagogue
Clinical psychologist	persclinicalpsychologist
Dental Hygienist	persordentalhygienist

### Example:

```

<?xml version="1.0" encoding="UTF-8"?>
<PutTherapeuticLinkRequest
xsi:schemaLocation="http://www.ehealth.fgov.be/hubservices/protocol/v2 hubservices_protocol-2_1.xsd"
xmlns="http://www.ehealth.fgov.be/hubservices/protocol/v2" xmlns:core="http://www.ehealth.fgov.be/hubservices/core/v2"
xmlns:kmehr="http://www.ehealth.fgov.be/standards/kmehr/schema/v1" xmlns:xsi="http://www.w3.org/2001/XMLSchema-instance">
  <core:request>
    <core:id SV="1.0" S="ID-KMEHR">1990000332.20150810090927123</core:id>
    <core:author>
      <kmehr:hcparty>
        <kmehr:id SV="1.0" S="LOCAL" SL="application_ID">1987654322</kmehr:id>
        <kmehr:cd SV="1.1" S="CD-HCPARTY">application</kmehr:cd>
        <kmehr:name>Physician application name</kmehr:name>
      </kmehr:hcparty>
      <!-- Healthcare professional identifier -->
      <kmehr:hcparty>
        <kmehr:id SV="1.0" S="ID-HCPARTY">12345678910</kmehr:id>
        <kmehr:id SV="1.0" S="INSS">4xxxxxxxxxx2</kmehr:id>
        <kmehr:cd SV="1.1" S="CD-HCPARTY">persphysician</kmehr:cd>
      </kmehr:hcparty>
    </core:author>
    <core:date>2015-08-10</core:date>
    <core:time>09:09:27.0Z</core:time>
  </core:request>
  <core:therapeuticlink>
    <!-- Patient identifier -->
    <core:patient>
      <core:id S="EID-CARDNO" SV="1.0" >5xxxxxxxxxx4</core:id>
      <core:id S="INSS" SV="1.0" >7xxxxxxxxxx2</core:id>
      <core:firstname>Patient first name</core:firstname>
      <core:familyname>Patient family name</core:familyname>
    </core:patient>
  </core:therapeuticlink>
</PutTherapeuticLinkRequest>

```



```

</core:patient>
<!-- Healthcare professional identifier -->
<core:hcparty>
  <core:id SV="1.0" S="ID-HCPARTY">12345678910</core:id>
  <core:id SV="1.0" S="INSS">4xxxxxxxxx2</core:id>
  <core:cd SV="1.1" S="CD-HCPARTY">persphysician</core:cd>
</core:hcparty>
<core:cd SV="1.1" S="CD-THERAPEUTICLINKTYPE">gpconsultation</core:cd>
<core:startdate>2015-08-10</core:startdate>
<core:enddate>2016-11-10</core:enddate>
</core:therapeuticlink>
<core:proof>
  <core:cd SV="1.1" S="CD-PROOFTYPE">eidreading</core:cd>
</core:proof>
</PutTherapeuticLinkRequest>

```

### 5.2.2.2 HC professional through an authorized organization

If the HC professional consults the therapeutic links through his organization then following identification must be provided:

- The identification of the authorized organization: CBE or EHP number, the HC party category.
- The identifier of the HC professional: SSIN number, NIHI number (11 digits) if available, the HC professional category.

Additional information about the organization software may be added for the audit purpose.

#### Example:

```

<?xml version="1.0" encoding="UTF-8"?>
<GetTherapeuticLinkRequest
xsi:schemaLocation="http://www.ehealth.fgov.be/hubservices/protocol/v2 hubservices_protocol-2_1.xsd"
xmlns="http://www.ehealth.fgov.be/hubservices/protocol/v2" xmlns:core="http://www.ehealth.fgov.be/hubservices/core/v2"
xmlns:kmehr="http://www.ehealth.fgov.be/standards/kmehr/schema/v1" xmlns:xsi="http://www.w3.org/2001/XMLSchema-instance">
  <core:request>
    <core:id SV="1.0" S="ID-KMEHR">1990000332.20150810090927123</core:id>
    <core:author>
      <kmehr:hcparty>
        <kmehr:id SV="1.0" S="LOCAL" SL="application_ID">0187653112</kmehr:id>
        <kmehr:cd SV="1.1" S="CD-HCPARTY">application</kmehr:cd>
        <kmehr:name>Organization application name</kmehr:name>
      </kmehr:hcparty>
      <!-- Organization identifier -->
      <kmehr:hcparty>
        <kmehr:id S="ID-HCPARTY" SV="1.0">123456789</kmehr:id>
        <kmehr:cd S="CD-HCPARTY" SV="1.0">orgpublichealth</kmehr:cd>
        <kmehr:name>Organization name</kmehr:name>
      </kmehr:hcparty>
      <!-- Healthcare professional identifier -->
      <kmehr:hcparty>
        <kmehr:id SV="1.0" S="ID-HCPARTY">12345678910</kmehr:id>
        <kmehr:id SV="1.0" S="INSS">4xxxxxxxxx2</kmehr:id>
        <kmehr:cd SV="1.1" S="CD-HCPARTY">persphysician</kmehr:cd>
      </kmehr:hcparty>
    </core:author>
    <core:date>2015-08-10</core:date>
    <core:time>10:58:00.0Z</core:time>
  </core:request>
  <core:select>
    <!-- Patient identifier -->
    <core:patient>
      <core:id S="INSS" SV="1.0">7xxxxxxxxx2</core:id>
    </core:patient>
    <!-- Healthcare professional identifier -->
    <core:hcparty>
      <core:id SV="1.0" S="ID-HCPARTY">12345678910</core:id>
      <core:id SV="1.0" S="INSS">4xxxxxxxxx2</core:id>
      <core:cd SV="1.1" S="CD-HCPARTY">persphysician</core:cd>
    </core:hcparty>
  </core:select>
</GetTherapeuticLinkRequest>

```



```

        </core:hcparty>
        <core:therapeuticlinkstatus>active</core:therapeuticlinkstatus>
    </core:select>
</GetTherapeuticLinkRequest>

```

### 5.2.2.3 HC professional within a Pharmacy (pharmacist)

If the HC professional is a pharmacist managing the therapeutic links<sup>9</sup> throughout his usual software then following identification must be provided in the following order:

- The identifier of the pharmacy: NIHII (8 digits), the HC party category.
- The identifier of the pharmacy holder: SSIN number, if available NIHII (11 digits) number, the HC party category.
- If the end-user is different from the pharmacy holder, the identifier of the end-user (who must be a pharmacist): SSIN number, NIHII number (11 digits) if available, the HC party category.

Additional information about the HC professional software may be added for the audit purpose.

#### Example :

```

<?xml version="1.0" encoding="UTF-8"?>
<PutTherapeuticLinkRequest
xsi:schemaLocation="http://www.ehealth.fgov.be/hubservices/protocol/v2 hubservices_protocol-2_1.xsd"
xmlns="http://www.ehealth.fgov.be/hubservices/protocol/v2" xmlns:core="http://www.ehealth.fgov.be/hubservices/core/v2"
xmlns:kmehr="http://www.ehealth.fgov.be/standards/kmehr/schema/v1" xmlns:xsi="http://www.w3.org/2001/XMLSchema-instance">
  <core:request>
    <core:id SV="1.0" S="ID-KMEHR">1990000332.20150810090927123</core:id>
    <core:author>
      <kmehr:hcparty>
        <kmehr:id SV="1.0" S="LOCAL" SL="application_ID">0123456789</kmehr:id>
        <kmehr:cd SV="1.1" S="CD-HCPARTY">application</kmehr:cd>
        <kmehr:name>Pharmacy software name</kmehr:name>
      </kmehr:hcparty>
      <!-- Pharmacy identifier -->
      <kmehr:hcparty>
        <kmehr:id SV="1.0" S="ID-HCPARTY">123456789</kmehr:id>
        <kmehr:cd SV="1.1" S="CD-HCPARTY">orgpharmacy</kmehr:cd>
      </kmehr:hcparty>
      <!-- Pharmacy holder identifier -->
      <kmehr:hcparty>
        <kmehr:id SV="1.0" S="ID-HCPARTY">12345678910</kmehr:id>
        <kmehr:id SV="1.0" S="INSS">8xxxxxxxxxx6</kmehr:id>
        <kmehr:cd SV="1.1" S="CD-HCPARTY">perspharmacist</kmehr:cd>
      </kmehr:hcparty>
      <!-- Pharmacist end-user identifier -->
      <kmehr:hcparty>
        <kmehr:id SV="1.0" S="ID-HCPARTY">12345678910</kmehr:id>
        <kmehr:id SV="1.0" S="INSS">4xxxxxxxxxx3</kmehr:id>
        <kmehr:cd SV="1.1" S="CD-HCPARTY">perspharmacist</kmehr:cd>
      </kmehr:hcparty>
    </core:author>
    <core:date>2015-08-10</core:date>
    <core:time>09:09:27.0Z</core:time>
  </core:request>
  <core:therapeuticlink>
    <!-- Patient identifier -->
    <core:patient>
      <core:id S="EID-CARDNO" SV="1.0" >1xxxxxxxxxx7</core:id>
      <core:id S="INSS" SV="1.0">7xxxxxxxxxx2</core:id>
      <core:firstname>Patient first name</core:firstname>
    </core:patient>
  </core:therapeuticlink>
</PutTherapeuticLinkRequest>

```

<sup>9</sup> The therapeutic link between patient and pharmacist is established exclusively between patient and the pharmacy but this therapeutic link could be managed either by the pharmacy holder or by all pharmacists within the pharmacy.

```

        <core:familyname>Patient family name</core:familyname>
    </core:patient>
    <!-- Pharmacy identifier -->
    <core:hcparty>
        <core:id SV="1.0" S="ID-HCPARTY">123456789</core:id>
        <core:cd SV="1.1" S="CD-HCPARTY">orgpharmacy</core:cd>
        <core:name>Pharmacy name</core:name>
    </core:hcparty>
    <core:cd SV="1.1" S="CD-THERAPEUTICLINKTYPE">pharmacydelivery</core:cd>
    <core:startdate>2015-08-10</core:startdate>
    <core:enddate>2016-11-10</core:enddate>
</core:therapeuticlink>
<core:proof>
    <core:cd SV="1.1" S="CD-PROOFTYPE">eidreading</core:cd>
</core:proof>
</PutTherapeuticLinkRequest>

```

## 5.2.2.4 Citizen thought his software

### 5.2.2.4.1 As Patient

If the patient acts as author of the request through his software and manages the therapeutic links himself then following identification must be provided:

- Patient software information
- The identification of the patient:
  - Patient SSIN number (mandatory);
  - Patient first name and family name may be added for the audit purpose.

#### Example:

```

<?xml version="1.0" encoding="UTF-8"?>
<RevokeTherapeuticLinkRequest
xsi:schemaLocation="http://www.ehealth.fgov.be/hubservices/protocol/v2 hubservices_protocol-2_1.xsd"
xmlns="http://www.ehealth.fgov.be/hubservices/protocol/v2" xmlns:core="http://www.ehealth.fgov.be/hubservices/core/v2"
xmlns:kmehr="http://www.ehealth.fgov.be/standards/kmehr/schema/v1" xmlns:xsi="http://www.w3.org/2001/XMLSchema-instance">
    <core:request>
        <core:id SV="1.0" S="ID-KMEHR">1990000332.20150810090927123</core:id>
        <core:author>
            <!-- Patient software identifier -->
            <kmehr:hcparty>
                <kmehr:cd SV="1.1" S="CD-HCPARTY">application</kmehr:cd>
                <kmehr:name>Patient software name</kmehr:name>
            </kmehr:hcparty>
            <!-- Patient identification -->
            <core:patient>
                <core:id S="INSS" SV="1.0">8xxxxxxxxx3</core:id>
                <core:firstname>I am</core:firstname>
                <core:familyname>Patient</core:familyname>
            </core:patient>
        </core:author>
        <core:date>2015-08-10</core:date>
        <core:time>09:09:27.0Z</core:time>
    </core:request>
    <core:therapeuticlink>
        <!-- Patient identifier -->
        <core:patient>
            <core:id S="INSS" SV="1.0">8xxxxxxxxx3</core:id>
        </core:patient>
        <!-- Healthcare professional identification -->
        <core:hcparty>
            <core:id SV="1.0" S="ID-HCPARTY">12345678910</core:id>
            <core:id SV="1.0" S="INSS">4xxxxxxxxx2</core:id>
            <core:cd SV="1.1" S="CD-HCPARTY">persphysician</core:cd>
        </core:hcparty>
        <core:cd SV="1.1" S="CD-THERAPEUTICLINKTYPE">patientmanagement</core:cd>
    </core:therapeuticlink>
</RevokeTherapeuticLinkRequest>

```



```
<core:startdate>2015-08-10</core:startdate>
</core:therapeuticlink></RevokeTherapeuticLinkRequest>
```

#### 5.2.2.4.2 As Parent or as Mandatory

If the citizen i.e. the person is Parent or Mandatory of the concerned patient and acts as the author of the request through his software managing the therapeutic links of the concerned patient the then following identification must be provided:

- Person software information
- The identification of the person (parent or mandatory):
  - Person SSIN number (mandatory);
  - Person first name and family name of the person may be added for the audit purpose.

#### Example – Author is Parent

```
<?xml version="1.0" encoding="UTF-8"?>
<PutTherapeuticLinkRequest
  xmlns="http://www.ehealth.fgov.be/hubservices/protocol/v2"
  xmlns:kmehr="http://www.ehealth.fgov.be/standards/kmehr/schema/v1"
  xmlns:xsi="http://www.w3.org/2001/XMLSchema-instance"
  xmlns:core="http://www.ehealth.fgov.be/hubservices/core/v2">
  <core:request>
    <core:id SV="1.0" S="ID-KMEHR">1990000332.20120419094127193</core:id>
    <core:author>
      <kmehr:hcparty>
        <kmehr:id SV="1.0" S="LOCAL" SL="application_ID">1990000332</kmehr:id>
        <kmehr:cd SV="1.1" S="CD-HCPARTY">application</kmehr:cd>
        <kmehr:name>eHealth Consent</kmehr:name>
      </kmehr:hcparty>
      <!-- Parent of Patient -->
      <core:person>
        <kmehr:id S="INSS" SV="1.0">8xxxxxxxxx8</kmehr:id>
        <kmehr:firstname>I AM</kmehr:firstname>
        <kmehr:familyname>Parent</kmehr:familyname>
      </core:person>
    </core:author>
    <core:date>2016-09-10</core:date>
    <core:time>09:41:27.0Z</core:time>
  </core:request>
  <core:therapeuticlink>
    <!-- Patient -->
    <core:patient>
      <core:id S="INSS" SV="1.0">1xxxxxxxxx1</core:id>
      <core:firstname>I AM</core:firstname>
      <core:familyname>The Child</core:familyname>
    </core:patient>
    <core:hcparty>
      <core:id S="INSS" SV="1.0">2xxxxxxxxx8</core:id>
      <core:id S="ID-HCPARTY" SV="1.0">12345678910</core:id>
      <core:cd S="CD-HCPARTY" SV="1.1">persdentist</core:cd>
      <core:firstname>I AM</core:firstname>
      <core:familyname>Dentist</core:familyname>
    </core:hcparty>
    <core:cd S="CD-THERAPEUTICLINKTYPE" SV="1.1">patientmanagement</core:cd>
    <core:startdate>2016-09-10</core:startdate>
    <core:enddate>2017-12-10</core:enddate>
  </core:therapeuticlink>
</PutTherapeuticLinkRequest>
```

#### Example – Author is mandatory

```
<?xml version="1.0" encoding="UTF-8"?>
<PutTherapeuticLinkRequest
  xmlns="http://www.ehealth.fgov.be/hubservices/protocol/v2"
  xmlns:kmehr="http://www.ehealth.fgov.be/standards/kmehr/schema/v1"
  xmlns:xsi="http://www.w3.org/2001/XMLSchema-instance"
  xmlns:core="http://www.ehealth.fgov.be/hubservices/core/v2">
```



```

<core:request>
  <core:id SV="1.0" S="ID-KMEHR">1990000332.20120419094127193</core:id>
  <core:author>
    <kmehr:hcparty>
      <kmehr:id SV="1.0" S="LOCAL" SL="application_ID">1990000332</kmehr:id>
      <kmehr:cd SV="1.1" S="CD-HCPARTY">application</kmehr:cd>
      <kmehr:name>eHealth Consent</kmehr:name>
    </kmehr:hcparty>
    <!-- Mandatory -->
    <core:person>
      <kmehr:id S="INSS" SV="1.0">8xxxxxxxxx2</kmehr:id>
      <kmehr:firstname>I Am</kmehr:firstname>
      <kmehr:familyname>Mandatory</kmehr:familyname>
    </core:person>
  </core:author>
  <core:date>2016-09-10</core:date>
  <core:time>09:41:27.0Z</core:time>
</core:request>
<core:therapeuticlink>
  <!-- Patient -->
  <core:patient>
    <core:id S="INSS" SV="1.0">6xxxxxxxxx0</core:id>
    <core:firstname>I Am</core:firstname>
    <core:familyname>Patient</core:familyname>
  </core:patient>
  <core:hcparty>
    <core:id S="INSS" SV="1.0">2xxxxxxxxx8</core:id>
    <core:id S="ID-HCPARTY" SV="1.0">12345678910</core:id>
    <core:cd S="CD-HCPARTY" SV="1.1">persdentist</core:cd>
    <core:firstname>DENTIST</core:firstname>
    <core:familyname>METAHUBTST</core:familyname>
  </core:hcparty>
  <core:cd S="CD-THERAPEUTICLINKTYPE" SV="1.1">patientmanagement</core:cd>
  <core:startdate>2016-09-10</core:startdate>
  <core:enddate>2017-12-10</core:enddate>
</core:therapeuticlink>
</PutTherapeuticLinkRequest>

```

### 5.2.3 Therapeutic links with a third actor

We make a distinction between “non-referral” and “referral” therapeutic relationships.

- **Non-referral:** the HC party operating on a therapeutic relationship is *the same as* the HC party concerned by this link. As evidence, non-referral therapeutic relationship requires the SSIN of the selected patient and the support card number (e-ID ISI+) by reading or the encoding them.

The reading of the eID with PIN code entering could be provided for non-referral therapeutic links to extend or shorten the default period of validity of non-referral relationship fixed to fifteen months.

- **Referral:** the HC party operating on a therapeutic relationship is *different from* the HC party concerned by this link. As evidence, referral therapeutic relationship requires exclusively the reading of the patient e-ID with PIN code entering. The period of validity of referral therapeutic links is fixed to three months.

Currently, following HC party categories are allowed to manage therapeutic links: physician, nurse, dentist, midwife, and pharmacist.

As physician, the HC party end-user is allowed to operate on the referral therapeutic links concerning the patient and other HC party belonging to either the same or different authorized HC party category.

If the HC party end-user is not a physician, he or she is only allowed to operate on the referral links concerning the patient and other HC party belonging to the same HC party category.



## 5.2.4 Method PutTherapeuticLink

### 5.2.4.1 Functional description

<b>Service name</b>	PutTherapeuticLink
<b>Purpose</b>	This service should be used to declare a therapeutic link between a patient and a HC party.
<b>Input parameters</b>	<ul style="list-style-type: none"><li>• The information about the transaction:<ul style="list-style-type: none"><li>• id, date, time of the request;</li><li>• identifier of the 'end-user'<sup>10</sup>.</li></ul></li><li>• The information determining the therapeutic link:<ul style="list-style-type: none"><li>• the identification data of the concerned patient:<ul style="list-style-type: none"><li>– the SSIN (mandatory)</li><li>– the e-ID card number (mandatory if the given proof is the e-ID card reading, e-ID card encoding or the e-ID card reading with PIN code)<sup>11</sup>;</li><li>– the ISI+ card number (mandatory if the given proof is the reading of the ISI+ card) <sup>11</sup>;</li><li>– Patient first and the family name (the family name must contain at least one character).</li></ul></li></ul></li><li>• the identification data of the concerned HC party:<ul style="list-style-type: none"><li>• If the HC party is a HC professional<ul style="list-style-type: none"><li>– the SSIN number (mandatory) and NIHI number (11 digits) if available;</li><li>– the category of the HC party (mandatory);</li><li>– optionally, the first name and the family name.</li></ul></li><li>• If the HC party is an organization e.g. pharmacy:<ul style="list-style-type: none"><li>– the NIHI number (8 digits, mandatory);</li><li>– the category of the HC party (mandatory);</li><li>– optionally, the name of the organization.</li></ul></li></ul></li><li>• the type of the therapeutic link (mandatory) <sup>12</sup>.</li><li>• the period of validity of the therapeutic link.</li><li>• the inclusive start date is optional.</li></ul>

<sup>10</sup> Please refer to the paragraph 5.2.2 'The end-users'

<sup>11</sup> The proof and related support card numbers are not mandatory if the author is Citizen or the concerned patient is a new-born (will be discarded if provided)

<sup>12</sup> If the author of the declaration is Citizen then only 'patientmanagement' as therapeutic link type is supported. If the concerned patient is a new-born then only non-referral relations are allowed. If the author of the declaration is a professional of the AR78 then only 'consultation as therapeutic link type is supported.'



	<p>If provided then the start date <b>must be equal to the declaration</b> date i.e. the date when the declaration request is processed (the current date) else, the request is rejected.</p> <p>If not provided then the start date is enriched with the date when the declaration request is processed i.e. the current date.</p> <ul style="list-style-type: none"> <li>• the exclusive end date is optional and depending on the given evidence: <ul style="list-style-type: none"> <li>– <b>eID or ISI+ reading or eID encoding</b></li> </ul> <p>If provided then the end date must be equal to start date plus (+) the default period of validity else the end date is discarded and enriched w/ the ED = SD + the default period of validity.</p> <p>If not provided then the end date is enriched w/ the ED = SD + the default period of validity.</p> <p>For a non-referral relation, the default period of validity is defined as follows: ED = SD + 15 months</p> <ul style="list-style-type: none"> <li>– <b>eID signing i.e. reading + PIN code entering</b> <ul style="list-style-type: none"> <li>○ Non-referral relation <ul style="list-style-type: none"> <li>▪ If provided then the end-date must be greater than the SD</li> <li>▪ If not provided the end date is enriched w/ the ED = SD + the default period of validity i.e. 15 months</li> </ul> </li> <li>○ Referral relation <ul style="list-style-type: none"> <li>▪ If provided then the end-date must be equal to start date plus (+) the default period of validity else the end date is discarded and enriched w/ the ED = SD + the default period of validity</li> <li>▪ If not provided then the end date is enriched w/ the ED = SD + the default period of validity</li> </ul> <p>The default period of validity is ED = SD + 3 months</p> </li> </ul> </li> </ul> <p><i>Note:</i> for overlapped relations, the start -date of the new period must be greater or equal to the start date of the period to be extended and the end-date of the new period must be greater than the end-date of the period to be extended</p> <ul style="list-style-type: none"> <li>• the comment to justify the declaration (optional, if provided must be less than or equal to 256 characters).</li> <li>• The information about the evidence of the declaration (mandatory).<sup>13</sup></li> <li>• the type of the proof (mandatory if the evidence is given).</li> </ul> </li> </ul>
--	--

<sup>13</sup> Applied only when the author is a healthcare party, the concept of the proof is not applied (not mandatory) when the author is Citizen or the concerned patient is a new born (0 < patient < 3 months). If the proof is provided then the SSIN support card number must be provided accordingly: case of the author is Citizen then the provided card number is discarded (not submitted to compliant validation e.g. format, checksum or SSIN vs card number combination) else the provided card number must be valid and compliant.

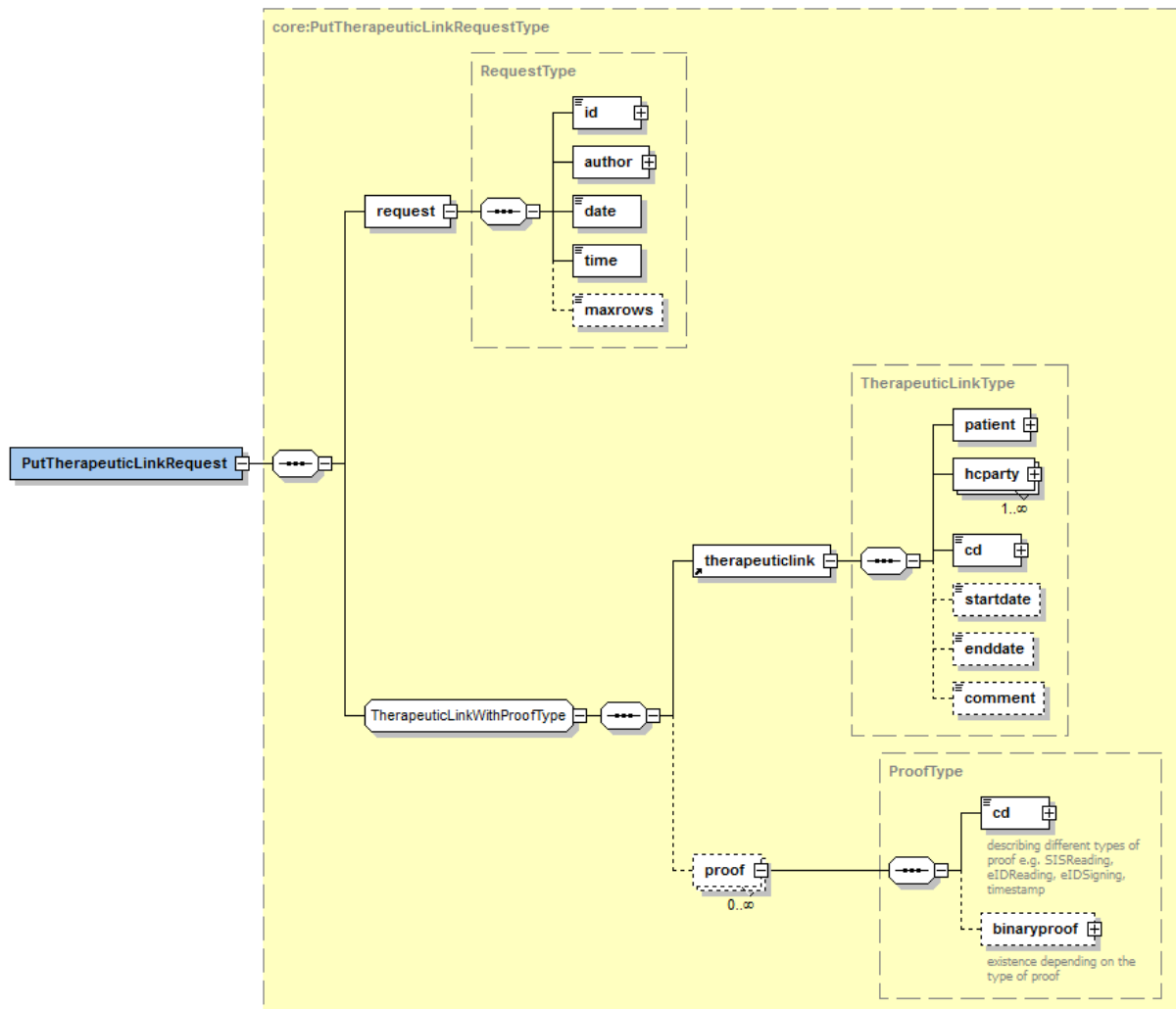
	<ul style="list-style-type: none"> <li>the binary proof including the encryption method and the binary value. This information is mandatory only if the type of proof is the reading of the eID card with PIN code entering (mandatory in the case of referral declaration<sup>14</sup>).</li> </ul>
<b>Output parameters</b>	<ol style="list-style-type: none"> <li>The information about the response: <ul style="list-style-type: none"> <li>Id, date, time of the response;</li> <li>the identification of the sender of the response;</li> <li>the initial request.</li> </ul> </li> <li>An acknowledge indicating the completion of the request: <ul style="list-style-type: none"> <li>the status of the completion;</li> <li>the possible errors including the error code and its description.</li> </ul> </li> </ol>
<b>Post-condition</b>	<ul style="list-style-type: none"> <li>the request is logged;</li> <li>the therapeutic link is created in DB.</li> </ul>
<b>Possible exceptions</b>	<ol style="list-style-type: none"> <li>Technical error.</li> <li>Invalid or incorrect data: <ul style="list-style-type: none"> <li>the sender is not allowed to perform the declaration according to the predefined rules.</li> <li>the HC party performing the declaration is excluded by the concerned patient in the case of referral declaration.</li> <li>an active therapeutic link does not exist between the HC party performing the declaration and the concerned patient in the case of referral declaration.</li> <li>the HC party performing the declaration does not belong to the same HC party category as the HC party concerned by the therapeutic link.</li> <li>invalid patient (invalid SSIN or SSIN does not correspond to the provided support card number).</li> <li>invalid HC party (incorrect NIHII or NIHII does not correspond to the HC party category).</li> <li>invalid therapeutic link type.</li> <li>invalid period of relation.</li> <li>the end date is anterior to the declaration date.</li> <li>missing or invalid proof.</li> <li>the given proof does not correspond to the provided support card number.</li> <li>a valid therapeutic link of the same type and for the same HC party already exists.</li> </ul> </li> </ol>
<b>Comments</b>	<ul style="list-style-type: none"> <li><b>Identification of patient:</b> The patient is identified by his SSIN number.</li> <li><b>Identification of HC party:</b> <ul style="list-style-type: none"> <li>The HC professional is identified by the SSIN number, the NIHII number (if available) and the HC party category.</li> <li>The HC organization is identified by the NIHII number and the HC party category.</li> </ul> </li> </ul>

<sup>14</sup> We speak about 'Referral' when the healthcare professional that performs the operations (end-user) is different from the healthcare professional concerned by the therapeutic link.

- **Identification of therapeutic link:** The therapeutic link is identified by the identifier of the concerned patient, the identifier of the concerned HC party, the type and the period of the validity of the therapeutic link. Thus, it is possible to have several active therapeutic links between patient and HC party.
- **Update of therapeutic link:** It is not possible to update the therapeutic link: to update information one first needs to revoke the existing therapeutic link.

### 5.2.4.2 Input argument “PutTherapeuticLinkRequest”

A request from the end-user for the declaration of a therapeutic link looks as follows:



The ‘**request**’ parameter gathers the elements relative to

- the information about the request (id, date, time);
- the author of the request (end-user).

The ‘**therapeuticlink**’ parameter covers

- the patient identifier;
- the HC party identifier;
- the therapeutic link data including the type of therapeutic link and the period of validity.

Optionally the **'proof'** parameter covers

- the type of the proof;
- the binary value of the proof.

Parameter	Attributes		Comments
request [1]	id [1]	Identifier of the request within the caller system	Identifies the <b>message</b> within the system according to ID-KMEHR identification system <sup>15</sup> . Must contain a value with 50 alphanumeric characters as maximum length.
	author [1]	Sender of the request represented either by a sequence of <i>hparty</i> elements or patient. It must at least contain the requestor end-user identifier. <sup>16</sup>	This information must be coherent with the information provided in the technical identification and authentication system (i.e. certificate and SAML <sup>17</sup> assertion)
	date [1]	Date of the request.	Format YYYY-MM-DD
	time [1]	Time of the request.	Format hh:mm:ss
	maxrows[0-1]	n/a	
therapeuticlink [1]	patient [1]	Identification of the patient concerned by the therapeutic link.	Identification data of the patient composing of INSS and support card number. The xsd's element ' <i>name</i> ' cannot be used for the declaration but ' <i>firstname</i> ' and ' <i>familyname</i> ' instead, the element ' <i>familyname</i> ' must contain at least one character whilst the element ' <i>firstname</i> ' can be empty.
	hparty[1-n]	Identification of the HC party concerned by the therapeutic link.	Currently the service supports only one HC Party The <i>hparty</i> must contain the category of the HC party and at least the SSIN (case of professional), NIHII (case of organization) corresponding to its HC party category.

<sup>15</sup> Please refer to <https://www.ehealth.fgov.be/standards/kmehr/content/page/38/header>

<sup>16</sup> Please refer to the section 5.2.2 The end-users

<sup>17</sup> See cookbook STS service

			The HC party category refers to a value of KMEHR table CD-HCPARTY.
	cd [1]	The type identifying the therapeutic link.	Corresponds to a value of the KMEHR table CD-THERAPEUTICLINKTYPE.
	startdate [0-1]	The inclusive start date of the validity period of the therapeutic link.	Format YYYY-MM-DD
	enddate [0-1]	The exclusive end date of the validity period of therapeutic link.	Format YYYY-MM-DD
	comment [0-1]	The comment justifying the declaration.	The maximum length is 256.
proof [0-*]	cd [1]	The type identifying the proof.	Corresponds to a value of the KMEHR table CD-PROOFTYPE. <i>(<a href="https://www.ehealth.fgov.be/standards/kmehr/content/page/tables/197/proof-type">https://www.ehealth.fgov.be/standards/kmehr/content/page/tables/197/proof-type</a>)</i> For instance, only one proof and only the reading, encoding of support card number and the reading of eID with PIN code are supported.
	binaryproof [0-1]	The binary value of the proof.	Existence depending on the type of proof. The binary proof is mandatory if the type of proof is the reading of the eID card with PIN code entering. For instance, the supported method for binary operation is CMS (Cryptographic Message Syntax).

**Example:** PutTherapeuticLinkRequest.xml

```

<?xml version="1.0" encoding="UTF-8"?>
<PutTherapeuticLinkRequest
  xsi:schemaLocation="http://www.ehealth.fgov.be/hubservices/protocol/v2 hubservices_protocol-2_1.xsd"
  xmlns="http://www.ehealth.fgov.be/hubservices/protocol/v2" xmlns:core="http://www.ehealth.fgov.be/hubservices/core/v2"
  xmlns:kmehr="http://www.ehealth.fgov.be/standards/kmehr/schema/v1" xmlns:xsi="http://www.w3.org/2001/XMLSchema-instance">
  <core:request>
    <core:id SV="1.0" S="ID-KMEHR">1990000332.20150810090927123</core:id>
    <core:author>
      <kmehr:hcparty>
        <kmehr:id SV="1.0" S="LOCAL" SL="application_ID">1987654322</kmehr:id>
        <kmehr:cd SV="1.1" S="CD-HCPARTY">application</kmehr:cd>
        <kmehr:name>Physician application name</kmehr:name>
      </kmehr:hcparty>
      <kmehr:hcparty>
        <kmehr:id SV="1.0" S="ID-HCPARTY">12345678910</kmehr:id>
        <kmehr:id SV="1.0" S="INSS">6xxxxxxxxx1</kmehr:id>
        <kmehr:cd SV="1.1" S="CD-HCPARTY">persphysician</kmehr:c
      </kmehr:hcparty>
    </core:author>
    <core:date>2015-08-10</core:date>
    <core:time>09:09:27.0Z</core:time>
  </core:request>
</PutTherapeuticLinkRequest>

```



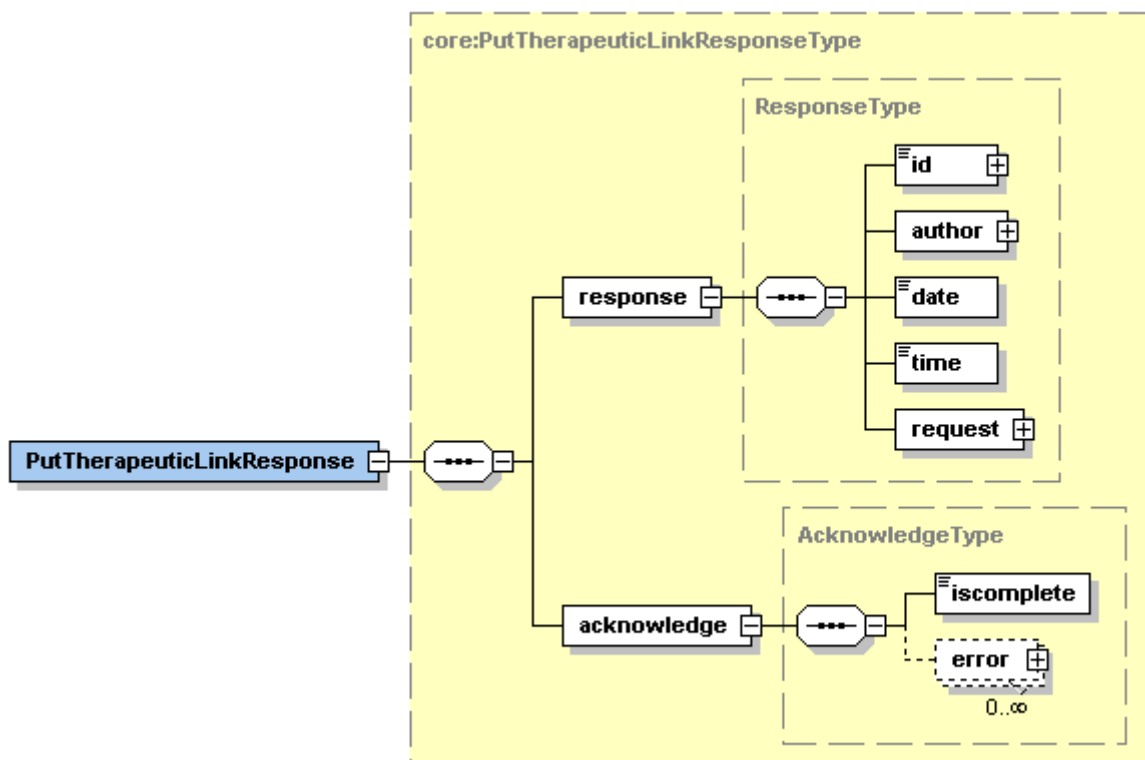
```

</core:request>
<core:therapeuticlink>
  <core:patient>
    <core:id S="EID-CARDNO" SV="1.0" >5xxxxxxxxxx2</core:id>
    <core:id S="INSS" SV="1.0" >8xxxxxxxxx9</core:id>
    <core:firstname>Patient first name</core:firstname>
    <core:familyname> Patient family name </core:familyname>
  </core:patient>
  <core:hcparty>
    <core:id SV="1.0" S="ID-HCPARTY">12345678910</core:id>
    <core:id SV="1.0" S="INSS">6xxxxxxxxx1</core:id>
    <core:cd SV="1.1" S="CD-HCPARTY">persphysician</core:cd>
  </core:hcparty>
  <core:cd SV="1.1" S="CD-THERAPEUTICLINKTYPE">gpconsultation</core:cd>
  <core:startdate>2015-08-10</core:startdate>
  <core:enddate>2016-11-10</core:enddate>
</core:therapeuticlink>
<core:proof>
  <core:cd SV="1.1" S="CD-PROOFTYPE">eidreading</core:cd>
</core:proof>
</PutTherapeuticLinkRequest>

```

### 5.2.4.3 Output argument “PutTherapeuticLinkResponse”

The reply, as sent back by the PutTherapeuticLink method, is discussed below.



The ‘**response**’ parameter gathers the elements relative to

- the information about the response (id, date, time).
- the sender of the response.
- the initial request.

The ‘**acknowledge**’ parameter gathers the elements relative to

- the service completion (*iscomplete*),
- the errors or exceptions that occurred during the service execution.

Parameter	Attributes		Comments
response [1]	id [1]	Identifier of the response within the responder system.	
	author [1]	Sender of the response.	
	date [1]	Date of the response.	Format YYYY-MM-DD
	time [1]	Time of the response.	Format hh:mm:ss
	request [1]	The author part of the initial request.	
acknowledge [1]	iscomplete [1]	Indicates whether the execution has been successfully completed.	The execution is successful if the therapeutic link has been correctly stored in DB.
	error [0-*	Indicates the error/exception descriptions.	

**Example:** PutTherapeuticLinkResponse.xml

- **Successful completion**

```
<?xml version="1.0" encoding="UTF-8"?>
<PutTherapeuticLinkResponse
  xsi:schemaLocation="http://www.ehealth.fgov.be/hubservices/protocol/v2 hubservices_protocol-2_1.xsd"
  xmlns="http://www.ehealth.fgov.be/hubservices/protocol/v2" xmlns:core="http://www.ehealth.fgov.be/hubservices/core/v2"
  xmlns:kmehr="http://www.ehealth.fgov.be/standards/kmehr/schema/v1" xmlns:xsi="http://www.w3.org/2001/XMLSchema-instance">
  <core:response>
    <core:id S="ID-KMEHR" SV="1.0">1990000332.20150810090927345</core:id>
    <core:author>
      <kmehr:hcparty>
        <kmehr:id S="ID-HCPARTY" SV="1.0">123456789</kmehr:id>
        <kmehr:cd S="CD-HCPARTY" SV="1.0">orgpublichealth</kmehr:cd>
        <kmehr:name>Responder organization</kmehr:name>
      </kmehr:hcparty>
    </core:author>
    <core:date>2015-08-10</core:date>
    <core:time>09:09:28.0Z</core:time>
    <core:request>
      <core:id SV="1.0" S="ID-KMEHR">1990000332.20150810090927123</core:id>
      <core:author>
        <kmehr:hcparty>
          <kmehr:id SV="1.0" S="LOCAL" SL="application_ID">1987654322</kmehr:id>
          <kmehr:cd SV="1.1" S="CD-HCPARTY">application</kmehr:cd>
          <kmehr:name>Physician application name</kmehr:name>
        </kmehr:hcparty>
        <kmehr:hcparty>
          <kmehr:id SV="1.0" S="ID-HCPARTY">12345678910</kmehr:id>
          <kmehr:id SV="1.0" S="INSS">6xxxxxxxxx1</kmehr:id>
          <kmehr:cd SV="1.1" S="CD-HCPARTY">persphysician</kmehr:cd>
        </kmehr:hcparty>
      </core:author>
      <core:date>2015-08-10</core:date>
      <core:time>09:09:27.0Z</core:time>
    </core:request>
  </core:response>
  <core:acknowledge>
    <core:iscomplete>true</core:iscomplete>
  </core:acknowledge>
</PutTherapeuticLinkResponse>
```



- **Unsuccessful completion**

```
<?xml version="1.0" encoding="UTF-8"?>
<PutTherapeuticLinkResponse
xsi:schemaLocation="http://www.ehealth.fgov.be/hubservices/protocol/v2 hubservices_protocol-2_1.xsd"
xmlns="http://www.ehealth.fgov.be/hubservices/protocol/v2" xmlns:core="http://www.ehealth.fgov.be/hubservices/core/v2"
xmlns:kmehr="http://www.ehealth.fgov.be/standards/kmehr/schema/v1" xmlns:xsi="http://www.w3.org/2001/XMLSchema-instance">
  <core:response>
    <core:id S="ID-KMEHR" SV="1.0">1990000332.20150810090927345</core:id>
    <core:author>
      <kmehr:hcparty>
        <kmehr:id S="ID-HCPARTY" SV="1.0">123456789</kmehr:id>
        <kmehr:cd S="CD-HCPARTY" SV="1.0">orgpublichealth</kmehr:cd>
        <kmehr:name>Responder organization</kmehr:name>
      </kmehr:hcparty>
    </core:author>
    <core:date>2015-08-10</core:date>
    <core:time>09:09:28.0Z</core:time>
    <core:request>
      <core:id SV="1.0" S="ID-KMEHR">11990000332.20150810090927123</core:id>
      <core:author>
        <kmehr:hcparty>
          <kmehr:id SV="1.0" S="LOCAL" SL="application_ID">1987654322</kmehr:id>
          <kmehr:cd SV="1.1" S="CD-HCPARTY">application</kmehr:cd>
          <kmehr:name>Physician application name</kmehr:name>
        </kmehr:hcparty>
        <kmehr:hcparty>
          <kmehr:id SV="1.0" S="ID-HCPARTY">12345678910</kmehr:id>
          <kmehr:id SV="1.0" S="INSS">6xxxxxxxxx1</kmehr:id>
          <kmehr:cd SV="1.1" S="CD-HCPARTY">persphysician</kmehr:c
        </kmehr:hcparty>
      </core:author>
      <core:date>2015-08-10</core:date>
      <core:time>09:09:27.0Z</core:time>
    </core:request>
  </core:response>
  <core:acknowledge>
    <core:iscomplete>false</core:iscomplete>
    <core:error>
      <kmehr:cd SV="1.0" S="CD-ERROR">TL.INPUT.06</kmehr:cd>
      <kmehr:description L="en-us">Invalid patient identifier</kmehr:description>
    </core:error>
  </core:acknowledge>
</PutTherapeuticLinkResponse>
```

#### 5.2.4.4 Review of some error codes

When a business error has occurred, then the *iscomplete* field of the *acknowledge* element is set to *false*. The acknowledge block of the reply message sent after an error has occurred looks as follows:

```
<acknowledge>
  <iscomplete>false</iscomplete>
  <error>
    <cd SV="1.0" S="CD-ERROR">error_code</cd>
    <description L="EN">error_description</description>
  </error>
</acknowledge>
```

The table below provides an overview of some possible errors returned by the service for this method.

This list is not exhaustive.

Error type	Code	Description
TL.ACCESS	TL.ACCESS.05	Author - The user is not authorized to perform the operation





Permission	TL.ACCESS.06	Author - The category of the author is different from the category of the HC party concerned by the therapeutic link
	TL.ACCESS.07	Author - The patient performing the operation is different from the patient concerned by the therapeutic link
TL.INPUT Invalid Input	TL.INPUT.05	Author - Missing patient identifier (SSIN)
	TL.INPUT.10	Author - Missing HC party identifier
	TL.INPUT.15	Author - Invalid HC party category
	TL.INPUT.19.02	Author - The provided responsible is not the responsible of the provided organization
	TL.INPUT.30	Therapeutic link - Missing patient identifier (SSIN)
	TL.INPUT.35	Therapeutic link - Missing patient first name or family name
	TL.INPUT.40	Therapeutic link - Invalid SSIN of the HC party
	TL.INPUT.45	Therapeutic link - NIHI does not correspond to the HC party category
	TL.INPUT.47	Therapeutic link – HC party not found.

When business errors of the type “Invalid input” or “Permission” occur, please verify your request message. When a system error occurs and persists, please contact the contact center.

## 5.2.5 Method RevokeTherapeuticLink

### 5.2.5.1 Functional description

<b>Service name</b>	RevokeTherapeuticLink
<b>Purpose</b>	This service should be used to revoke a therapeutic link between a patient and a HC party.
<b>Input parameters</b>	<ul style="list-style-type: none"> <li>• The information about the transaction: <ul style="list-style-type: none"> <li>• id, date, time of the request;</li> <li>• identifier of the ‘end-user’<sup>18</sup>.</li> </ul> </li> <li>• The information determining the therapeutic link: <ul style="list-style-type: none"> <li>• the identification data of the concerned patient: <ul style="list-style-type: none"> <li>– the SSIN number (mandatory);</li> <li>– optionally, the support card number, if provided then they must be valid and compliant.</li> <li>– optionally, the first name and family name.</li> </ul> </li> </ul> </li> <li>• the identification of the concerned HC party requiring: <ul style="list-style-type: none"> <li>– If the HC party is a professional <ul style="list-style-type: none"> <li>○ the SSIN number (mandatory) and NIHI number (11 digits) if available;</li> <li>○ the HC party category (mandatory);</li> <li>○ optionally, the first name and the family name.</li> </ul> </li> </ul> </li> </ul>

<sup>18</sup> Please refer to the paragraph 5.2.2 ‘The end-users’.

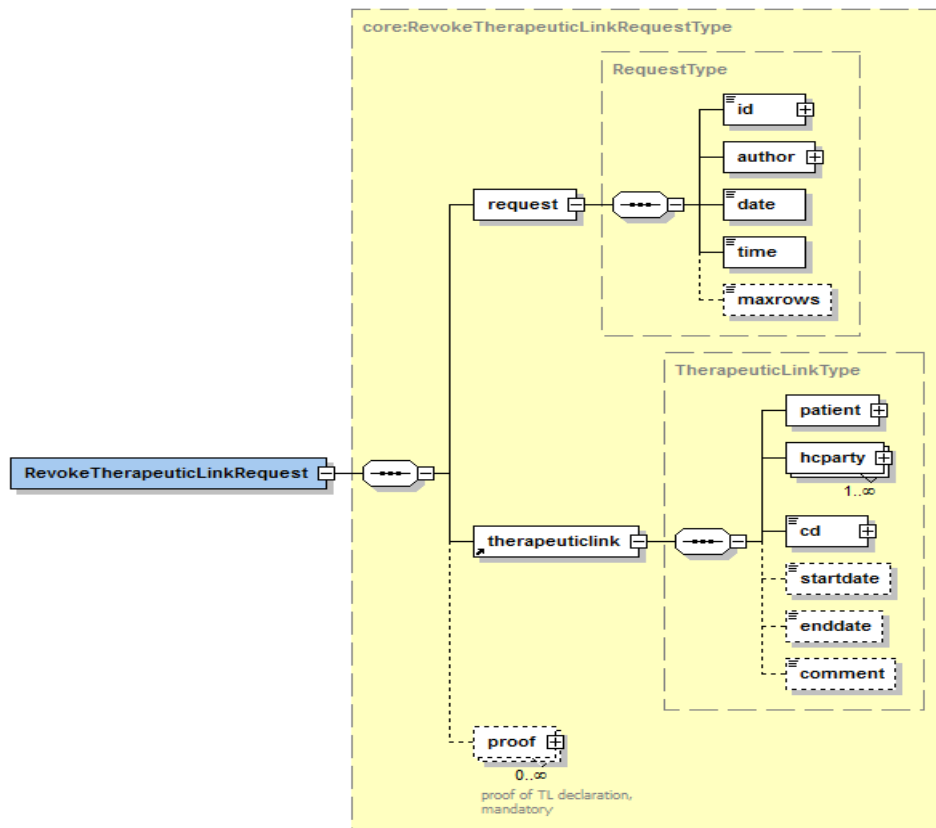
	<ul style="list-style-type: none"> <li>- If the HC party is an organization <ul style="list-style-type: none"> <li>o the NIHL number (8 digits, mandatory);</li> <li>o the HC party category (mandatory);</li> <li>o optionally, the name of the organization.</li> </ul> </li> <li>• the type of the therapeutic link (mandatory);</li> <li>• Start Date and End date are both optional <ul style="list-style-type: none"> <li>- Start date: If provided then the start date must be equal to the start date of the active relation else the request is rejected (not found) else (not provided) then the revocation is applied on any active therapeutic relation corresponding to the input criteria i.e. patient, hcparty, therapeutic relation type</li> <li>- End date: (must be interpreted as 'revocation date' and not the end date of the relation)</li> </ul> </li> <li>• If active therapeutic relation is found, the revocation date (provided or not) is set to the date when the revocation request is processed (the current date).</li> <li>• The comment to justify the revocation (optional, if provided must be less than or equal to 256 characters).</li> <li>• The information about the evidence (mandatory only when the revocation is referral): <ul style="list-style-type: none"> <li>- The type of the proof (mandatory if the evidence is given)<sup>19</sup>;</li> <li>- The binary proof including the encryption method (mandatory) and the binary value (mandatory) only if the type of proof is the reading of the eID card with PIN code entering.</li> </ul> </li> </ul>
<b>Output parameters</b>	<ol style="list-style-type: none"> <li>1) The information about the response: <ul style="list-style-type: none"> <li>• id, date, time of the response;</li> <li>• identification of the sender of the response;</li> <li>• the initial request.</li> </ul> </li> <li>2) An acknowledge indicating the completion of the request: <ul style="list-style-type: none"> <li>• the status of the completion;</li> <li>• the possible errors including the error code and its description.</li> </ul> </li> </ol>
<b>Post-condition</b>	<ul style="list-style-type: none"> <li>• the request is logged;</li> <li>• the given therapeutic link, if found, is revoked in DB.</li> <li>• All overlapped period of validity of the same relation are revoked</li> </ul>
<b>Possible exceptions</b>	<ol style="list-style-type: none"> <li>1) Technical error.</li> <li>2) Invalid or incorrect data: <ul style="list-style-type: none"> <li>• sender is not allowed to perform the revocation;</li> </ul> </li> </ol>

<sup>19</sup> Applied only when the author is a healthcare party, the concept of the proof is not applied (not mandatory) when the author is Citizen or the concerned patient is a new born ( $0 < \text{patient} < 3 \text{ months}$ ). If the proof is provided then the SSIN support card number must be provided accordingly: case of the author is Citizen then the provided card number is discarded (not submitted to compliant validation) else the provided card number must be valid and compliant.

	<ul style="list-style-type: none"> <li>• HC party performing the revocation is excluded by the concerned patient in the case of referral revocation;</li> <li>• active therapeutic link does not exist between the HC party performing the revocation and the concerned patient in the case of referral revocation;</li> <li>• HC party performing the revocation does not have the same professional category as the HC party concerned by the therapeutic link;</li> <li>• invalid patient (invalid SSIN or SSIN does not correspond to the provided support card number);</li> <li>• invalid therapeutic link type.</li> <li>• the revocation end date is anterior to the start date;</li> <li>• no active therapeutic link of this type for the given HC party.</li> </ul>
<p><b>Comments</b></p>	<ul style="list-style-type: none"> <li>• <b>Identification of patient:</b> the SSIN number identifies the patient.</li> <li>• <b>Identification of HC party:</b> <ul style="list-style-type: none"> <li>– The HC professional is identified by the SSIN number, the NIHI number (if available) and the HC party category;</li> <li>– The NIHI number and the HC party category identify the HC organization.</li> </ul> </li> <li>• <b>Identification of therapeutic link:</b> The therapeutic link is identified by the identifier of the concerned patient, the identifier of the concerned HC party, the type and the period of the validity of the therapeutic link.</li> </ul>

### 5.2.5.2 Input argument “RevokeTherapeuticLinkRequest”

A request from the end-user for the revocation of a therapeutic link looks as follows:



The ‘**request**’ parameter gathers the elements relative to

- the information about the request (id, date, time);
- the author of the request (end-user).

The ‘**therapeuticlink**’ parameter covers

- the patient identifier;
- the HC party identifier;
- the therapeutic link data including the type of therapeutic link and the period of validity.

Optionally the ‘**proof**’ parameter covers

- the type of the proof;
- the binary value of the proof.

Parameter	Attributes		Comments
request [1]	id [1]	Identifier of the request within the caller system	Identifies the <b>message</b> within the system according to ID-KMEHR identification system <sup>20</sup> .

<sup>20</sup> Please refer to <https://www.ehealth.fgov.be/standards/kmehr/content/page/38/header>

			It must contain a value with 50 alphanumerical characters maximum length.
	author [1]	Sender of the request represented either by a sequence of <i>hparty</i> elements or patient. It must at least contain the requestor end-user identifier. <sup>21</sup>	This information must be coherent with the information provided in the technical identification and authentication system (i.e. certificate and SAML <sup>22</sup> assertion)
	date [1]	Date of the request.	Format YYYY-MM-DD
	time [1]	Time of the request.	Format hh:mm:ss
	maxrows [0-1]	n/a	
therapeuticlink [1]	patient [1]	Identification of the patient concerned by the therapeutic link.	INSS and optionally support card number.
	hparty[1-n]	Identification of the HC party concerned by the therapeutic link.	Currently only 1 HC Party is supported by the service The <i>hparty</i> must contain the category of the HC party and at least the SSIN (case of professional), NIHII (case of organization) corresponding to its HC party category. The HC party category refers to a value of KHMER table CD-HCPARTY.
	cd [1]	The type identifying the therapeutic link.	Corresponds to a value of the KMEHR table CD-THERAPEUTICLINKTYPE.
	startdate [0-1]	The start date of the validity period of the therapeutic link.	Format YYYY-MM-DD
	enddate [0-1]	The date of the revocation.	Format YYYY-MM-DD
	comment [0-1]	The comment justifying the revocation.	The maximum length is 256 characters.
proof [0-*]	cd [1]	The type identifying the proof.	Corresponds to a value of the KMEHR table CD-PROOFTYPE. <b>(<a href="https://www.ehealth.fgov.be/standards/kmehr/content/page/tables/197/proof-type">https://www.ehealth.fgov.be/standards/kmehr/content/page/tables/197/proof-type</a>)</b> For instance, only one proof and only the reading, encoding of support card

<sup>21</sup> Please refer to the section 5.2.2 The end-users

<sup>22</sup> See cookbook STS service

			number and the reading of eID with PIN code are supported.
	binaryproof [0-1]	The binary value of the proof.	Existence depending on the type of proof. The binary proof is mandatory if the type of proof is the reading of the eID card with PIN code entering. For instance, the supported method for binary operation is CMS (Cryptographic Message Syntax).

### Example: RevokeTherapeuticLinkRequest.xml

```

<?xml version="1.0" encoding="UTF-8"?>
<RevokeTherapeuticLinkRequest
  xsi:schemaLocation="http://www.ehealth.fgov.be/hubservices/protocol/v2 hubservices_protocol-2_1.xsd"
  xmlns="http://www.ehealth.fgov.be/hubservices/protocol/v2" xmlns:core="http://www.ehealth.fgov.be/hubservices/core/v2"
  xmlns:kmehr="http://www.ehealth.fgov.be/standards/kmehr/schema/v1" xmlns:xsi="http://www.w3.org/2001/XMLSchema-instance">
  <core:request>
    <core:id SV="1.0" S="ID-KMEHR">1990000332.20150810090927123</core:id>
    <core:author>
      <kmehr:hcparty>
        <kmehr:id SV="1.0" S="LOCAL" SL="application_ID">0123456789</kmehr:id>
        <kmehr:cd SV="1.1" S="CD-HCPARTY">application</kmehr:cd>
        <kmehr:name>Pharmacist application name</kmehr:name>
      </kmehr:hcparty>
      <!-- Pharmacy identifier -->
      <kmehr:hcparty>
        <kmehr:id SV="1.0" S="ID-HCPARTY">123456789</kmehr:id>
        <kmehr:cd SV="1.1" S="CD-HCPARTY">orgpharmacy</kmehr:cd>
      </kmehr:hcparty>
      <!-- Pharmacy holder identifier -->
      <kmehr:hcparty>
        <kmehr:id SV="1.0" S="ID-HCPARTY">12345678910</kmehr:id>
        <kmehr:id SV="1.0" S="INSS">8xxxxxxxxx6</kmehr:id>
        <kmehr:cd SV="1.1" S="CD-HCPARTY">perspharmacist</kmehr:cd>
      </kmehr:hcparty>
      <!-- Pharmacist end-user identifier -->
      <kmehr:hcparty>
        <kmehr:id SV="1.0" S="ID-HCPARTY">12345678910</kmehr:id>
        <kmehr:id SV="1.0" S="INSS">4xxxxxxxxx3</kmehr:id>
        <kmehr:cd SV="1.1" S="CD-HCPARTY">perspharmacist</kmehr:cd>
      </kmehr:hcparty>
    </core:author>
    <core:date>2015-08-10</core:date>
    <core:time>09:09:27.0Z</core:time>
  </core:request>
  <core:therapeuticlink>
    <!-- Patient identifier -->
    <core:patient>
      <core:id S="EID-CARDNO" SV="1.0" >1xxxxxxxxx9</core:id>
      <core:id S="INSS" SV="1.0">7xxxxxxxxx2</core:id>
      <core:firstname>Patient first name</core:firstname>
      <core:familyname>Patient family name</core:familyname>
    </core:patient>
    <!-- Pharmacy identifier -->
    <core:hcparty>
      <core:id SV="1.0" S="ID-HCPARTY">123456789</core:id>
      <core:cd SV="1.1" S="CD-HCPARTY">orgpharmacy</core:cd>
      <core:name>Pharmacy name</core:name>
    </core:hcparty>
  </core:therapeuticlink>
</RevokeTherapeuticLinkRequest>

```



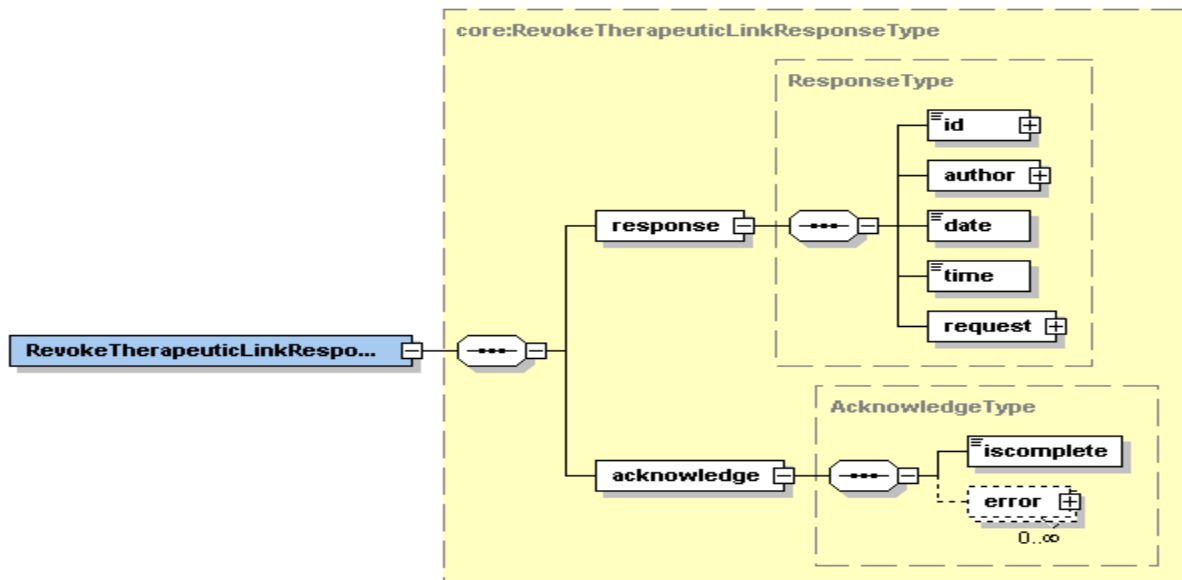
```

</core:hcparty>
<core:cd SV="1.1" S="CD-THERAPEUTICLINKTYPE">pharmacydelivery</core:cd>
<core:startdate>2015-08-10</core:startdate>
<core:enddate>2015-11-10</core:enddate>
</core:therapeuticlink>
<core:proof>
  <core:cd SV="1.1" S="CD-PROOFTYPE">eidreading</core:cd>
</core:proof>
</RevokeTherapeuticLinkRequest>

```

### 5.2.5.3 Output argument “RevokeTherapeuticLinkResponse”

The reply, as sent back by the RevokeTherapeuticLink method, is discussed below.



The ‘**response**’ parameter gathers the elements relative to

- the information about the response (id, date, time);
- the sender of the response;
- the initial request.

The ‘**acknowledge**’ parameter gathers the elements relative to

- the service completion (*iscomplete*);
- the errors or exceptions that occurred during the service execution.

Parameter	Attributes		Comments
response [1]	id [1]	Identifier of the response within the responder system.	
	author [1]	Sender of the response.	
	date [1]	Date of the response.	Format YYYY-MM-DD
	time [1]	Time of the response.	Format hh:mm:ss
	request [1]	The author part of the initial request.	

acknowledge [1]	iscomplete [1]	Indicates whether the execution has been successfully completed.	The execution is successful if the therapeutic link has been correctly stored in DB.
	error [0-*	Indicates the error/exception descriptions.	

**Example:** RevokeTherapeuticLinkResponse.xml

• **Successful completion**

```

<?xml version="1.0" encoding="UTF-8"?>
<RevokeTherapeuticLinkResponse
xsi:schemaLocation="http://www.ehealth.fgov.be/hubservices/protocol/v2 hubservices_protocol-2_1.xsd"
xmlns="http://www.ehealth.fgov.be/hubservices/protocol/v2" xmlns:core="http://www.ehealth.fgov.be/hubservices/core/v2"
xmlns:kmehr="http://www.ehealth.fgov.be/standards/kmehr/schema/v1" xmlns:xsi="http://www.w3.org/2001/XMLSchema-instance">
  <core:response>
    <core:id S="ID-KMEHR" SV="1.0">1990000332.20150810090927345</core:id>
    <core:author>
      <kmehr:hcparty>
        <kmehr:id S="ID-HCPARTY" SV="1.0">1820563481</kmehr:id>
        <kmehr:cd S="CD-HCPARTY" SV="1.0">orgpublichealth</kmehr:cd>
        <kmehr:name>Responder organization</kmehr:name>
      </kmehr:hcparty>
    </core:author>
    <core:date>2015-08-10</core:date>
    <core:time>09:09:28.0Z</core:time>
    <core:request>
      <core:id SV="1.0" S="ID-KMEHR">1990000332.20150810090927123</core:id>
      <core:author>
        <kmehr:hcparty>
          <kmehr:id SV="1.0" S="LOCAL" SL="application_ID">0123456789</kmehr:id>
          <kmehr:cd SV="1.1" S="CD-HCPARTY">application</kmehr:cd>
          <kmehr:name>Pharmacist application name</kmehr:name>
        </kmehr:hcparty>
        <!-- Pharmacy identifier -->
        <kmehr:hcparty>
          <kmehr:id SV="1.0" S="ID-HCPARTY">123456789</kmehr:id>
          <kmehr:cd SV="1.1" S="CD-HCPARTY">orgpharmacy</kmehr:cd>
        </kmehr:hcparty>
        <!-- Pharmacy holder identifier -->
        <kmehr:hcparty>
          <kmehr:id SV="1.0" S="ID-HCPARTY">12345678910</kmehr:id>
          <kmehr:id SV="1.0" S="INSS">8xxxxxxxxx6</kmehr:id>
          <kmehr:cd SV="1.1" S="CD-HCPARTY">perspharmacist</kmehr:cd>
        </kmehr:hcparty>
        <!-- Pharmacist end-user identifier -->
        <kmehr:hcparty>
          <kmehr:id SV="1.0" S="ID-HCPARTY">12345678910</kmehr:id>
          <kmehr:id SV="1.0" S="INSS">4xxxxxxxxx3</kmehr:id>
          <kmehr:cd SV="1.1" S="CD-HCPARTY">perspharmacist</kmehr:cd>
        </kmehr:hcparty>
      </core:author>
      <core:date>2015-08-10</core:date>
      <core:time>09:09:27.0Z</core:time>
    </core:request>
  </core:response>
  <core:acknowledge>
    <core:iscomplete>true</core:iscomplete>
  </core:acknowledge>
</RevokeTherapeuticLinkResponse>

```





- **Unsuccessful completion**

```

<?xml version="1.0" encoding="UTF-8"?>
<RevokeTherapeuticLinkResponse
xsi:schemaLocation="http://www.ehealth.fgov.be/hubservices/protocol/v2 hubservices_protocol-2_1.xsd"
xmlns="http://www.ehealth.fgov.be/hubservices/protocol/v2" xmlns:core="http://www.ehealth.fgov.be/hubservices/core/v2"
xmlns:kmehr="http://www.ehealth.fgov.be/standards/kmehr/schema/v1" xmlns:xsi="http://www.w3.org/2001/XMLSchema-instance">
  <core:response>
    <core:id S="ID-KMEHR" SV="1.0">1990000332.20150810090927345</core:id>
    <core:author>
      <kmehr:hcparty>
        <kmehr:id S="ID-HCPARTY" SV="1.0">123456789</kmehr:id>
        <kmehr:cd S="CD-HCPARTY" SV="1.0">orgpublichealth</kmehr:cd>
        <kmehr:name>Responder organization</kmehr:name>
      </kmehr:hcparty>
    </core:author>
    <core:date>2015-08-10</core:date>
    <core:time>09:09:28.0Z</core:time>
    <core:request>
      <core:id SV="1.0" S="ID-KMEHR">1990000332.20150810090927123</core:id>
      <core:author>
        <kmehr:hcparty>
          <kmehr:id SV="1.0" S="LOCAL" SL="application_ID">0123456789</kmehr:id>
          <kmehr:cd SV="1.1" S="CD-HCPARTY">application</kmehr:cd>
          <kmehr:name>Pharmacist application name</kmehr:name>
        </kmehr:hcparty>
        <!-- Pharmacy identifier -->
        <kmehr:hcparty>
          <kmehr:id SV="1.0" S="ID-HCPARTY">123456789</kmehr:id>
          <kmehr:cd SV="1.1" S="CD-HCPARTY">orgpharmacy</kmehr:cd>
        </kmehr:hcparty>
        <!-- Pharmacy holder identifier -->
        <kmehr:hcparty>
          <kmehr:id SV="1.0" S="ID-HCPARTY">12345678910</kmehr:id>
          <kmehr:id SV="1.0" S="INSS">8xxxxxxxxxx6</kmehr:id>
          <kmehr:cd SV="1.1" S="CD-HCPARTY">perspharmacist</kmehr:cd>
        </kmehr:hcparty>
        <!-- Pharmacist end-user identifier -->
        <kmehr:hcparty>
          <kmehr:id SV="1.0" S="ID-HCPARTY">12345678910</kmehr:id>
          <kmehr:id SV="1.0" S="INSS">4xxxxxxxxxx3</kmehr:id>
          <kmehr:cd SV="1.1" S="CD-HCPARTY">perspharmacist</kmehr:cd>
        </kmehr:hcparty>
      </core:author>
      <core:date>2015-08-10</core:date>
      <core:time>09:09:27.0Z</core:time>
    </core:request>
  </core:response>
  <core:acknowledge>
    <core:iscomplete>false</core:iscomplete>
    <core:error>
      <kmehr:cd SV="1.0" S="CD-ERROR">TL.INPUT.06</kmehr:cd>
      <kmehr:description L="en-us">Invalid patient identifier</kmehr:description>
    </core:error>
  </core:acknowledge>
</RevokeTherapeuticLinkResponse>

```

#### 5.2.5.4 Review of some error codes

When a business error has occurred, then the *iscomplete* field of the *acknowledge* element is set to *false*. The acknowledge block of the reply message sent after an error has occurred looks as follows:

```

<acknowledge>
  <iscomplete>false</iscomplete>
  <error>
    <cd SV="1.0" S="CD-ERROR">error_code</cd>
    <description L="EN">error_description</description>
  </error>
</acknowledge>

```



The table below provides an overview of some possible errors returned by the service for this method.

This list is not exhaustive.

Error type	Code	Description
TL.ACCESS Permission	TL.ACCESS.05	Author - The user is not authorized to perform the operation.
	TL.ACCESS.06	Author - The category of the author is different from the category of the HC party concerned by the therapeutic link.
	TL.ACCESS.07	Author - The patient performing the operation is different from the patient concerned by the therapeutic link.
	TL.ACCESS.08	Author - The patient concerned by the therapeutic link excludes the HC party.
TL.INPUT Invalid Input	TL.INPUT.05	Author - Missing patient identifier (SSIN)
	TL.INPUT.10	Author - Missing HC party identifier
	TL.INPUT.15	Author - Invalid HC party category
	TL.INPUT.25	Author - The pharmacist end-user is unknown of the pharmacy.
	TL.INPUT.30	Therapeutic link - Missing patient identifier (SSIN)
	TL.INPUT.40	Therapeutic link - Invalid SSIN of the HC party
	TL.INPUT.45	Therapeutic link - NIHI does not correspond to the HC party category.

When business errors of the type “Invalid input” or “Permission” occur, please verify your request message. When a system error occurs and persists, please contact the contact center. (See chapter 3)

## 5.2.6 Method GetTherapeuticLink

### 5.2.6.1 Functional description

<b>Service name</b>	GetTherapeuticLink
<b>Purpose</b>	<p>This method allows users to check the existence of therapeutic links between a HC party and a patient. As usual, the service is built as generic as possible.</p> <p>Depending on the input parameters the service can support the following functionalities<sup>23</sup>:</p> <ul style="list-style-type: none"><li>• check the existence of a specific link between a patient and a HC party;</li><li>• consult the list of therapeutic links related to a patient;</li><li>• consult the list of therapeutic links between given HC party and given patient over a certain time period.</li></ul>
<b>Input parameters</b>	<ol style="list-style-type: none"><li>1) The information about the request:<ul style="list-style-type: none"><li>• id, date, time of the request;</li><li>• the identifier of the 'end-user' (author of the request);</li><li>• the number of the therapeutic links to consult (must be less or equal than 1000).</li></ul></li><li>2) A set of criteria relative to the therapeutic link including <b>at least</b>,<ul style="list-style-type: none"><li>• the identification data of the concerned patient:<ul style="list-style-type: none"><li>– the SSIN number (mandatory);</li><li>– optionally, the support card number.</li></ul></li><li>• Optionally, the identification data of the concerned HC party:<ul style="list-style-type: none"><li>– If the HC party is a professional<ul style="list-style-type: none"><li>○ the SSIN number (mandatory) and NIHIR number (11 digits) if available;</li><li>○ the HC party category (mandatory);</li><li>○ optionally, the first name and the family name of the professional.</li></ul></li><li>– If the HC party is an organization<ul style="list-style-type: none"><li>○ the NIHIR number (8 digits, mandatory);</li><li>○ the HC party category (mandatory);</li><li>○ optionally, the name of the organization.</li></ul></li></ul></li><li>• Optionally:<ul style="list-style-type: none"><li>– a (list of) therapeutic link type;</li><li>– a time period [begindate-enddate]<sup>24</sup>;</li><li>– the status of the consulted therapeutic link: 'active'<sup>25</sup> (default value), 'inactive', 'all'. The parameters 'inactive' and 'all' do not currently support time period.</li></ul></li></ul></li></ol>

<sup>23</sup> According to the end-user some functionality are authorized or not, each caller is expected to respect those rules beyond the supported technical verifications.

<sup>24</sup> If the begin date is provided then the end date must be also provided (and respectively).

<sup>25</sup> A therapeutic link is active when the current date is part of its period of validity.

	<p>3) The information about the evidence (mandatory when the consultation is <b>'referral'</b> or <b>'historic'</b>):</p> <ul style="list-style-type: none"> <li>• the type of the proof (mandatory if the evidence is given)<sup>26</sup>;</li> <li>• only if the type of proof is the reading of the eID card with PIN code entering, the binary proof including the encryption method (mandatory) and the binary value (mandatory).</li> </ul> <p><b>Note :</b></p> <p>Case of <b>non-referral</b> consultation, the SSIN support card and the evidence are NOT mandatory. If the proof is provided in the request then the card number must be provided accordingly however the card number will be discarded i.e. not submitted to compliance validation (card format, checksum or SSIN vs card combination)</p>
<p><b>Output parameters</b></p>	<p>1) The information about the response:</p> <ul style="list-style-type: none"> <li>• id, date, time of the response;</li> <li>• identification of the sender of the response;</li> <li>• initial request.</li> </ul> <p>2) An acknowledge indicating the completion of the request:</p> <ul style="list-style-type: none"> <li>• the status of the completion;</li> <li>• optionally the errors (error code and description).</li> </ul> <p>3) A list of therapeutic links fulfilling the criteria related to the concerned patient and :</p> <ul style="list-style-type: none"> <li>• if a HC party is provided in the request, the therapeutic links of the concerned patient and the given HC party (A proof must be provided in the request if the given HC party is not the author) : <ul style="list-style-type: none"> <li>– if the HC party is a professional being identified by his SSIN and HC party category then all the therapeutic links containing the given SSIN- HC party category are returned;</li> <li>– if the HC party is a professional being identified by his NIHII and HC party category then all the therapeutic links containing the given NIHII- HC party category are returned;</li> <li>– if the HC party is a professional being by his SSIN, NIHII and HC party category then all therapeutic links containing the given SSIN-HC party category , NIHII- HC party category and SSIN-NIHII-HC party category are returned;</li> <li>– if the HC party is an organization being identified by its NIHII and HC party category then all the therapeutic links containing the given NIHII-HC party category are returned.</li> </ul> </li> <li>• if the HC party is <b>not provided</b> in the request: <ul style="list-style-type: none"> <li>– if the proof is <b>not given</b> <ul style="list-style-type: none"> <li>○ if the author of the request acts as a HC professional, only the therapeutic links of the concerned patient and the concerned author are returned;</li> </ul> </li> </ul> </li> </ul>

<sup>26</sup> When the consultation is referral or historic (status is 'inactive' or 'all'), the type of proof must be the reading of eID card with PIN code entering. However, the concept of the proof is not applied when the author is Citizen or the concerned patient is new born.

	<ul style="list-style-type: none"> <li>○ if the author of the request acts for an organization, only the therapeutic links of the concerned patient and the concerned HC organization of the author are returned.</li> <li>– if the proof is <b>given</b> <ul style="list-style-type: none"> <li>○ if the author of the request acts as a HC professional, the therapeutic links of the concerned patient and the concerned author, the therapeutic links of the concerned patient and other concerned HC parties are returned;</li> <li>○ if the author of the request acts for a HC organization, the therapeutic links of the concerned patient and the concerned organization, the therapeutic links of the concerned patient and other concerned HC parties are returned.</li> </ul> </li> <li>• and if a (list of) therapeutic link type is provided, the therapeutic link(s) matching this (these) type(s) else all existing therapeutic links;</li> <li>• and if a time period is provided, the list of therapeutic links found over this given time period else the list of all existing therapeutic link accordingly to the status if provided;</li> <li>• and if a status is provided, the therapeutic link matching the provided status. By default, when no status (<i>'active'</i>, <i>'inactive'</i>, <i>'all'</i>) is specified in the request, active therapeutic links are returned else, therapeutic links are returned accordingly.</li> </ul> <p>Following information is returned or each therapeutic link in the list:</p> <ul style="list-style-type: none"> <li>• the identification data of the concerned patient;</li> <li>• the identification data of the concerned HC party including the HC party category;</li> <li>• the type of the therapeutic link;</li> <li>• the validity period of the relation;</li> <li>• the comment of the operation, if any.</li> </ul> <p>The context of the operations relative to the therapeutic link<sup>27</sup>:</p> <ul style="list-style-type: none"> <li>– the operation type (declaration , revocation);</li> <li>– the recorded date time (date time of the DB when the therapeutic link is created or revoked);</li> <li>– the author of the operation (only NIHII, if any and HC party category of the author are returned as legally the SSIN of the author cannot be known).</li> </ul> <p>If no therapeutic links corresponding to the criteria could be found, an empty list is returned.</p>
<b>Post-condition</b>	The request is logged.
<b>Possible exceptions</b>	<ol style="list-style-type: none"> <li>1) Technical error.</li> <li>2) Invalid data: <ul style="list-style-type: none"> <li>• sender is not allowed to perform the consultation;</li> <li>• the HC party performing the consultation is excluded by the concerned patient in the case of referral consultation;</li> <li>• the therapeutic link does not exist between the HC party performing the consultation and the concerned patient in the case of referral revocation;</li> </ul> </li> </ol>

<sup>27</sup> For instance, the context of the operation is not returned in the response if the therapeutic link is a 'gmd'.

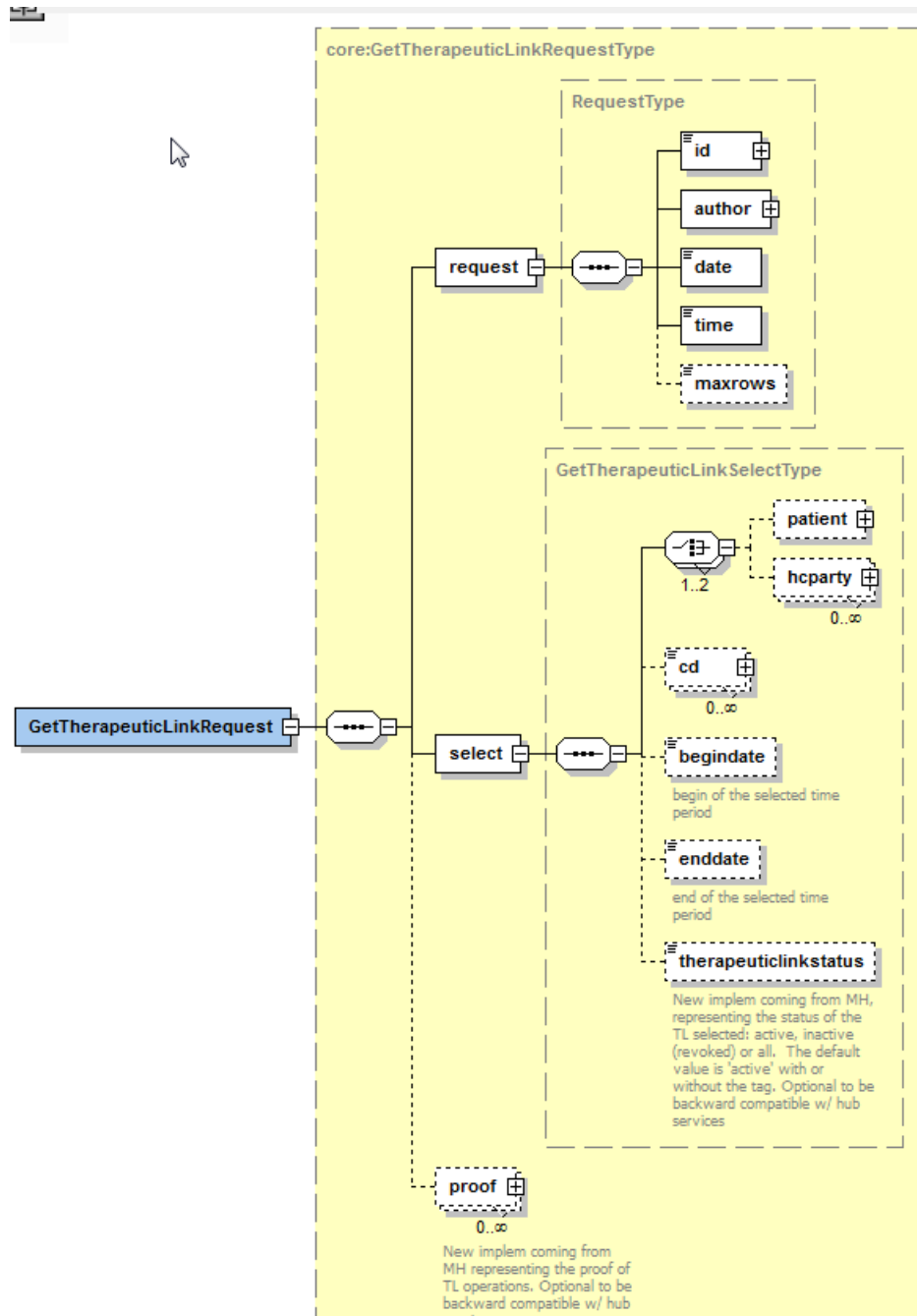
	<ul style="list-style-type: none"> <li>• the HC party performing the consultation does not have the same professional category as the HC professional concerned by the therapeutic link;</li> <li>• invalid patient (invalid SSIN or SSIN does not correspond to the provided support card number);</li> <li>• invalid HC party (incorrect NIHII or NIHII does not correspond to the HC professional category);</li> <li>• invalid therapeutic link type.</li> <li>• invalid time period;</li> <li>• missing or invalid proof;</li> <li>• too many results.</li> </ul>
<p><b>Comments</b></p>	<ul style="list-style-type: none"> <li>• <b>Identification of patient:</b> his SSIN number identifies the patient.</li> <li>• <b>Identification of HC party:</b> <ul style="list-style-type: none"> <li>– The HC professional is identified by the SSIN number, the NIHII number (if available) and the HC party category;</li> <li>– The NIHII number and the HC party category identify the HC organization.</li> </ul> </li> <li>• <b>Identification of therapeutic link:</b> The therapeutic link is identified by the identifier of the concerned patient, the identifier of the concerned HC party, the type and the period of the relation of the therapeutic link. Thus, it is possible to have several active therapeutic links between patient and a HC party.</li> </ul>

### 5.2.6.2 Input argument “GetTherapeuticLinkRequest”

A request from the user for a therapeutic link consultation looks as follows:

**Remark:**

**Please comply as much as possible with the predefined sequence of the elements provided in the Select element as the validation of the request is based on this sequence!**



The ‘request’ parameter gathers the elements relative to:

- the information about the request (id, date, time);
- the author of the request (end-user).

The 'select' parameter covers the selection criteria of the therapeutic link.

Parameter	Attributes		Comments
request [1]	id [1]	Identifier of the request within the caller system.	Identifies the <b>message</b> within the system according to ID-KMEHR identification system <sup>28</sup> . It must contain a value with 50 alphanumeric as maximum length.
	author [1]	Sender of the request represented as a sequence of <i>hparty</i> elements. It must at least contain the requestor end-user identifier.	This information must be coherent with the information provided in the technical identification and authentication system (i.e. certificate and SAML <sup>29</sup> assertion)
	date [1]	Date of the request.	Date time of the consultation. Format YYYY-MM-DD
	time [1]	Time of the request.	Time of the consultation. Format hh:mm:ss
	maxrows [0-1]	Maximum number of results returned by the search.	The maximum of the rows that can be requested is 1000. If more results are found, they will be omitted.
select [1]	patient [0-1]	Identification of the patient concerned by the therapeutic link (mandatory).	Patient contains the ID of patient: SSIN number.
	hparty [1-N]	Identification of the HC party concerned by the therapeutic link.	Currently only one HC Party is supported by the service The <i>hparty</i> must contain the category of the HC party and at least the SSIN (case of professional), NIHII (case of organization) corresponding to its hc party category. The HC party category refers to a value of KMEHR table CD-HCPARTY.
	cd [0-*]	The type identifying the therapeutic link.	Contains a value of the KMEHR table CD-THERAPEUTICLINKTYPE.
	begindate [0-1]	The beginning of the time period.	Format YYYY-MM-DD

<sup>28</sup> Please refer to <https://www.ehealth.fgov.be/standards/kmehr/content/page/38/header>

<sup>29</sup> See cookbook STS service



			'gmd' does not support time period.
	enddate [0-1]	The end of the time period.	Format YYYY-MM-DD 'gmd' does not support time period.
	therapeuticlinkstatus [0-1]	The status of the therapeutic link: 'active', 'inactive', 'all'.	
proof [0-*	cd [1]	The type identifying the proof.	Corresponds to a value of the KMEHR table CD-PROOFTYPE. (https://www.ehealth.fgov.be/standards/kmehr/content/page/tables/197/proof-type) For instance, only one proof and only the reading, encoding of support card number and the reading of eID with PIN code are supported.
	binaryproof [0-1]	The binary value of the proof.	Existence depending on the type of proof. The binary proof is mandatory if the type of proof is the reading of the eID card with PIN code entering. For instance, the supported method for binary operation is CMS (Cryptographic Message Syntax).

**Example:** GetTherapeuticLinkRequest.xml

```
<?xml version="1.0" encoding="UTF-8"?>
<GetTherapeuticLinkRequest xmlns="http://www.ehealth.fgov.be/hubservices/protocol/v2"
xmlns:kmehr="http://www.ehealth.fgov.be/standards/kmehr/schema/v1" xmlns:xsi="http://www.w3.org/2001/XMLSchema-instance"
xmlns:core="http://www.ehealth.fgov.be/hubservices/core/v2">
  <core:request>
    <core:id SV="1.0" S="ID-KMEHR">1990000332.20120419094127193</core:id>
    <core:author>
      <kmehr:hcparty>
        <kmehr:id SV="1.0" S="LOCAL" SL="application_ID">1990000332</kmehr:id>
        <kmehr:cd SV="1.1" S="CD-HCPARTY">application</kmehr:cd>
        <kmehr:name>eHealth Consent</kmehr:name>
      </kmehr:hcparty>
      <kmehr:hcparty>
        <kmehr:id SV="1.0" S="INSS">5xxxxxxxxx1</kmehr:id>
        <kmehr:id SV="1.0" S="ID-HCPARTY">12345678910</kmehr:id>
        <kmehr:cd SV="1.1" S="CD-HCPARTY">persphysician</kmehr:cd>
        <kmehr:firstname>FakeFirstName</kmehr:firstname>
        <kmehr:familyname>FakeLastName</kmehr:familyname>
      </kmehr:hcparty>
    </core:author>
    <core:date>${=String.format('%tF',new Date())}</core:date>
    <core:time>09:41:27.0Z</core:time>
  </core:request>
  <core:select>
    <core:patient>
      <core:id S="INSS" SV="1.0">8xxxxxxxxx8</core:id>
      <core:id S="EID-CARDNO" SV="1.0">5xxxxxxxxx0</core:id>
      <core:firstname>FakeFirstName</core:firstname>
    </core:patient>
  </core:select>
</GetTherapeuticLinkRequest>
```



```

    <core:familyname>FakeLastName</core:familyname>
  </core:patient>
  <core:hcparty>
    <core:id S="INSS" SV="1.0">5xxxxxxxxx1</core:id>
    <core:id S="ID-HCPARTY" SV="1.0">12345678910</core:id>
    <core:cd S="CD-HCPARTY" SV="1.1">persphysician</core:cd>
    <core:firstname>FakeFirstName</core:firstname>
    <core:familyname>FakeLastName</core:familyname>
  </core:hcparty>
</core:select>
<core:proof>
  <core:cd S="CD-PROOFTYPE" SV="1.0">eidsigning</core:cd>
  <core:binaryproof>
    <kmehr:cd S="CD-ENCRYPTION-METHOD" SV="String" DN="String" L="en">CMS</kmehr:cd>
    <kmehr:Base64EncryptedValue encoding="String">

```

MIAGCSqGSib3DQEHAqCAMIACAQExCzAJBgUrDgMCGGUAMIAGCSqGSib3DQEHAaCAJIAEgN3PD94  
bWwgdmVyc2lvbjoMS4wliBibmNvZGluZzoiVVRGLTgiPz4NCjxjb3JlOnRoZXJhcGV1dGJibGlu  
ayB4bWxuc2pib3JlPSJodHRwOi8vd3d3LmVoZWZsdGZuZmdvdj5iZS9odWJzZXJ2aWNlcy9jb3Jl  
L3YyIj4NCgk8Y29yZTpwYXRpZW50PgoKCQk8Y29yZTppZCBTSPJJTINTIiBTvjoMS4wli44MjA3  
MTcwMjkzODwvY29yZTppZD4NCgkJPgNvcmlU6aWQGUzoiRUIELUNBUKROTYglU1Y9IjEuMCI+NTky  
MTU3MTA2ODQwPC9jb3JlOmlkPgoKCQk8Y29yZTpmajZdG5hbWU+QkFDSEISPC9jb3JlOmZpcnNo  
bmFtZT4NCgkJPgNvcmlU6ZmFtaWx5bW5tZT5BRkFJTEFMPc9jb3JlOmZhbWlseW5hbWU+DQoJPC9j  
b3JlOnBhdGllbnQ+DQoJPGNvcmlU6aGmWYXJoeT4NCgkJPgNvcmlU6aWQGUzoiSU5TUyglU1Y9IjEu  
MCI+NTIwMjA4NDU3MjE8L2NvcmlU6aWQ+DQoJCTxjb3JlOmlkIFM9IklELUhdUEFSVfkiIFNWPSix  
LjAIPjEwOTk4MzE1MDAxPC9jb3JlOmlkPgoKCQk8Y29yZTppZCBTSPJDRClQ1BBUIRZiIBTvjoi  
MS4xIj5wZXJzcGh5c2ljaWVuc2pib3JlOmlkPgoKCQk8Y29yZTpmajZdG5hbWU+TWFyYzZwY29y  
ZTpmajZdG5hbWU+DQoJCTxjb3JlOmZhbWlseW5hbWU+Tnlzc2Vuc2pib3JlOmZhbWlseW5hbWU+  
DQoJPC9jb3JlOmhhcGFyY29yZDQoJPGNvcmlU6Y2QGUzoiQ0QtVEhFUFKFRVUSUNMSU5LVFIQRSlg  
U1Y9IjEuMSI+Z3Bjb25zdWx0YXRpb248L2NvcmlU6Y2Q+DQoJPGNvcmlU6c3RhcRkYXRIPjIwMTYt  
MDMtMDE8L2NvcmlU6c3RhcRkYXRIPgoKCTxjb3JlOmVuzGRhdGU+MjAyNSowNyowOTwvY29yZTPl  
bmRkYXRIPgoKCTxjb3JlOmNvbWlbnQ+U3VjY2Vzc2Z1bCBkZW50YXJhdGlvbWV29yZTppb21t  
ZW50PgoKPC9jb3JlOnRoZXJhcGV1dGJibGluaz4AAAAAACggDCCBmEwggRJoAMCAQICEBAAAAAA  
AH+iyYnMByY9lQmWdQYJKoZihvNAQEFBQAwmZELMAkGA1UEBhMCQkUxZzARBgNVBAMTCkNpdG6  
ZW4gQ0ExDzANBgNVBAUTBjllMTUxMjA3MDkYmZ5NTlaMGox  
CzAJBgNVBAYTAKJFMSQWlgyDQDBtCYWNoaXlGQWZhw69sYWwgKFNpZ25hdHVyZSktETAPBgNV  
BAQMCEFYCOvBGFsMQ8wDQYDVQQqEwZCYWNoaXlGFAASBgNVBAUTCzgyMDCxNzAyOTY4MIIIBjAN  
BgkqhkiG9w0BAQEFAAOCAQ8AMIIBCgKCAQEAvCNWlv//JGcTch4g8fjR0dhkcRKIKXQR+3xvZ6Wo  
WoCa/Zddm69Ql19+PaQB3PK/EN4Wqt+4L2LcKZOXTkCQ+kevOo/olOHN/t+IEoAHjilyJCMYUD  
R65aCQWkkes5/aEARpfXdmWmHP7O5eO4v6slMG3dTd06RtqgDlpByyIoiu3uoLZL18Adlw2369H  
C17sbOw227VahdGXmyntCP+KkbDhY9cH3XqIcRDot1cUOQEderjDbDAXcauiv+mVo7UWq4dNPzxo  
r4Uhue6PK8cCoYrLDVo28Dse/lpJNDuKNxcMGYFxrOJGxw9avgMB2voq7JG6CuAbH2qo45j6QID  
AQABo41CNTCAjEwHwYDVR0jBBgwFoAUvi/moGT2TDldgVWyp69cnJrs3sgwcAYIKwYBBQUHAQEE  
ZDBiMDYGCsGAUUFBzAChipodHRwOi8vY2VydHMuzWlklmJlbGdpdWouYmUvYmVsZ211bXJzMy5j  
cnQwKAYIKwYBBQUHMAGGhGhodHA6L29yY3NwLmVpZC5iZWxnaXVtLmJlLzlwggEYBgNVHSAEggEP  
MIIBCzCCAQCGB2A4cEBAGewgfwLAYIKwYBBQUHAQEwGhGhodHA6L29yY3NwLmVpZC5i  
ZWxnaXVtLmJlMIIHKBggrBgEFBQCAjCBvRqBukdYn1aWsgb25kZj3b3JwZW4gYWFuLzlwggEYBgNVHbnNw  
cmFrZWxpamtoZWlkc2JlcGVya2luZ2VulCB6aWUgQ1BTICogVXNhZ2Ugc291bWlzM0GIGRlcyBs  
aW1pdGFOaW9ucyBkZSByZXNwb25zYWJpbGlow6ksIHZvaXlGQ1BTICogVmVyd2VuzHVuZyB1bnRI  
cmxpZWdoIEhhZnR1bmdzYmVzY2hyw6Ruaz3VuZ2VulCBnZW3DpHNzIENQUzA5BgNVHR8EMjAwMC6g  
LKAqhiodHRwOi8vY3JlLmVpZC5iZWxnaXVtLmJlL2VpZGMyMDE1MTIuY3JsMAA4GA1UdDwEw/wQE  
AwIGQDARBgglghkgBhvhCAQEEBAMCBSAwIYIKwYBBQUHAQMEFJAUMAGBgGQAjkYBATAIBgYEAISG  
AQQwDQYJKoZIhvcNAQEFBQADggIBAAVjeE/pM+usYdrxYyiAz6biK2qMBJLjo+PK/RWjpcchuKIZL  
HBkAKsWLIKwhAra4q/tXPQCHXd3KaotqCo6AtfeQn/aphk/FR47fHE87EaGSb3IfUoRd9PNXejvP  
MmJ0XgH4049O7+d48Tifq9JaX9VIFBDoRWFZs+OuB/hEUQvDwGAT8f33cy/D36I55BePmoJyqmMr  
2MrJ4YoxTChbjhRVnVFCvbxzOOE6OfOhoSrz7Mb2s9p+/8FeCo+wtkY4GiOfCu1uH6d9cMgePTI  
c6gKB8IC37ox72nt4eW74HAot8ZHcXCDOUGfIEGv4OUMT24+OovosI3VxcyC1R6tonfDafvVfhhB  
qdozEz5J5R6Psp/LfGIWxfFPopIDIWos5AQuLUfVXKJ5bDcR6BkIkaUxds17uohJ+tb7gASesOKDE  
EYFMHE21TEqrx5kuoqJpkK3hCkC73rQo2ksK1tLfHss3ikBXXvcphQobN4OBIAYwJVOWQtXi8YT  
AAPnvoCdxYf88v2363ZegQCKdtMsa+rL9ilaDbABEzCVqNxl1jcMpbAB3BohKuK922WAhnpqa5n  
2MDkX/ucCLPfol38FBzEFozzlfjoxwMK4zNNDjXQo8CfDctCEXhpXfeVud/2qgXovsMfNBN34I  
gdWuj/WUoZHA5HBVD9wNolSjlp1PMIIIF3jCCA8agAwlBAGlQabpVXJwRG267/IIIMNH13DANBgkq  
hkiG9woBAQUFAAOQMSqCYDVQGEwJCRTEZMBcGA1UEAxMQQmVsZ211bSB5b290IENBMzAefwox  
NDEwMjQwMDAwMDBaFwoyNjA2MjQwMDAwMDBaMDMxMzA2MjQwMDAwMDBaMDMxMzA2MjQwMDAwMDBa  
emVuIENBMQ8wDQYDVQGEwYyMDE1MTIwggiiMAoGCsGSIb3DQEBAQUAA4ICDWAwwgGKAoICAQC1  
L2ICs73/PzNcxEvLVkVwWUCY3F1p48ufCzqgRsScvZWCR+ghFO1SsSCREaTFsijS2jmBoKBrTdBm  
udUizp7GQSozC096Siq+xlR56NQPgfosr4zRn2Vr8RhnoQgDT2RGmILV+lo1JRDymtRC86rDy05  
TkDWaHt+jKD+j9LONkNaP1qbuUUFoKBU6sg1ViniGU//6wQkg6pNJZf6x8IkbsWUF8QHkMLPkCa  
Pi+SSNAxK80oxYelleGzVULUPoyEhWYjPKingegb9vrojeaK89jYEplXQopkCvd/K3t+DhtcvG8  
4uR4f+BRRh7dFE2NGc2OyUowJi5kgwnGZ10oc2/XX25tcGD368kbbkG3uGuQY4v4HWwP+KCWgixJ



y/wOAbv9dMbVmqADODg/Ov8E/2oG+tlfTICgdM4vOo6OveFRIAq/8RA6933OsLU6OOHLg8Demaz  
hmFdTuozXeBPASQY6EnJnbSlc2YFeqWioCoQy+ymYXrUkxNI5hfvY8fmGbxj8y75aviL7xUlzDC/  
z06WcWr3oT54lg/ayjzdyRMYZACcxKOIKnP6MBphmE7k6bvoGFjMaQaWulAS/3BFSygdEGg4oBw6  
/Uv9FLG1pjP8LQqtaL3iojNqdvsm70oozIMcpeHd7+ZAK7wm+KiFDeBQRSjvoZPribtKqKXowlD  
AQABo4H4MIH1MA4GA1UdDwEB/wQEAWBBjASBgNVHRMBAf8ECDAGAQH/AgEAMEMGA1UdIAQ8MDow  
OAYGYDgKAQECMC4wLAIYIKwYBBQUHAgEWIGHodHA6Ly9yZXBvc2lob3J5LmVpZC5iZWxnaXVtLmJl  
MBoGA1UdDgQWBBS+L+agZPZMOV2Bvbnr1ycmuzeyDA3BgNVHR8EMDAuMCyGKqAohiZodHRwOi8v  
Y3JsLmVpZC5iZWxnaXVtLmJlL2JlbgdwdWozLmNybdARBgIghkgBhvhCAQEEBAMCAAcwHwYDVROj  
BBgwFoAUuLxsAl9bGYWdJQCc8BncQl7QOCswDQYJKoZIhvcNAQEFBQADggIBAFuOxRiBDz9nqtLL  
feHpyRUOGZlT83nZ5IkKYFR8Eu4LABXLJsv7B3zQw5T2jRlRa92zF3Q+3ZgS/bOWOv3a9c/tBEI  
9JsNLD2fHPfLzJsMAaMMQm7Cg5CeCscNPaCgKeh3bNJQBothKYrlz5K9l9yCBdc/zpYftvNaRKgc  
7r57eEaLpNf+Lpf/VzP4D+rDMXCJul8yl5h5tnko+Jbg/hhoulvXwjPcYpNq+mlz3Ac2P6ApIX  
2lyeYH6/CBIMgXkupGrSEMDWVdQqY4umyasWPFyXzk+jsvdxKAgUpXk4O3pOqDNQgBlg/9odXwV  
lZx/PkY24DOC2QosJNmijDSqJlInn4gJVR19rA+2bwdGqUKoGoQWb/raNLOZxjDhSsm5VG7ZeH5JO  
HWHITR14SuULeEGmodEBCpp5Hj8ik2T2Col1TBASit+t7buiqPNWVOcoG6S4b9bGU4apQq3rPN  
TWcPMfiG+hnUy9ZcalCCZnDVjQrCRGBCD+anj7TaTYB4xf1X153cbdUiOhBWWWWdEmVGs6jwdbHu  
l/cpMIXUfJm7MoSWsuxQ8DawSvS4sGYWkjXi5hduKcoibO3Qt7odemUX3LzZKul5E524YvdO+5gD  
7w4YEZ+gkD7CKI2hbBMVsGc+dK9SZWfFoojsFfLU4kMkZ8whCdNiGgzXyU64MIIFijCCA3agAwIB  
AgII0yEC3pZbHakwDQYJKoZIhvcNAQEFBQAwKDELMAKGA1UEBhMCkUxGTAxBGNVBAMTEEJlbgdp  
dWogUmgvdcBDQ1MwHhcNMTMwNjI2MTIwMDAwWWhcNjIwMDAwWjA0MjIwMDAwWjA0MjIwMDAwWjA0  
RTEZMBCGA1UEAxMQmVsZ2lhbSB5b29oIENBMzCCAILwDQYJKoZIhvcNAQEBBQADggIPADCCAgoc  
ggIBAKjyAZ2Lg8kHolX7Lc3BeZi1Tzy9MEv7Bnr59xcJezc/xJdO4V3bwMltKfFNVqsQ5H/GQAD  
FJoGmTLLPDI5AoeUjBubRZjhwrUuQ11+vhtoVhuEuZUxofEiU2yJtiSOONwpo/GIb9C4YZ5h+7l  
tDpC3MvsFyyordpzwgSHvFWtCmls5SpUo5UbF7ZVPcfVf24A5jgHLpZTgQfAvnzPlm++eJY+sNo  
NzTBoe6iZphmPbxuPncJ6slV8qMQQk50/g+KmoPpHX4AvoTr4/7TMTvuK8jSIdEn+fdVKdx9qo9Z  
ZRHFW/TXEn5SrNuU99xhZlE/WBurrVwFoKcWcjmOoCnekJlwoNTr3HBTG5D4AidjNFUaicGJk/h  
agrZHzY+WpGdoFZxhbP83ZGeoqkgBr8UzfOCY8cyUN2db6hplaK6Nuoho6QWnn+TSNh5Hjui5mi  
qpGxS73gYIT2Qww16h8gFTJQ49fIs+QHlwRw5c9FuqfLE3nFFF9KlamS4TSe7T4dNGY2VbHzpaG  
VT4wy+fl7gWsfauKvM4bo0DzgdDi9BHiKytNLMzoa3Sneij/CKurodJ5OdMiAqUpSdoOe8pdIbm  
m10P5cjkciQjxx7+vSxWtacpGowWK8+7oEsYc+7fL3GD6q/O5Xi44oPd/sfJmfqRf3C1PPMdBq  
XcwjAgMBAAGjbswgbgWdYDVR0PAQH/BAQDAgEMAG8GA1UdEwEB/wQFMAMBAf8wQgYDVR0gBDsw  
OTA3BgVgOAOBATAuMCwGCCsGAQUFBwIBFBodHRwOi8vcmVwb3NpdG9yeS5laWQuYmVsZ2lhbS5j  
ZTADBgNVHQ4EFgQUuLxsAl9bGYWdJQCc8BncQl7QOCswEQYJYIZIAyba4QgEBBAQDAgAHMB8GA1Ud  
IwQYMBaAFLi8bACPWxmFnSUBnPAZ3ECOoDgrMAoGCSqGSIb3DQEBBQUAA4ICAQBFYjv/mKX+Vcyx  
Eaccgkx4L8XvFKlFPXzjEnDnAtCckROU/k5nijiVK+ODOn+Q4kJg6Nd7K47+zTXcrSeitB2gVMsy  
aCN9scy4phLX1qT48sThCjUtooxfioRypcdf14HcUPCYIASTCapZUoMnAbzfpzxm49Ik/AzJWxA  
hxXVRHwOu3TMGiQ4W/VyVawxjwQMO8TneBDombmkXsl9bloOxWUhzA5dKlquosYvEodz8xDxr9Zk  
mZqYcPIKizCZlaP1ZsSlCis3ign3EUP+fd21q6ZxgU+50/qgoh/oUUAHRpedPQBES/FYc2lQZ2X  
jhmeTwM+9Lk7tnzHeHp3dgcCoOfceyPUaVkwIXMWcNAvkvDVELvXfJpRxcwRf55Ks5oafOfj81RzG  
Ubpmpw1zusOeCRwdWE8gPvbfWNQc8MJquDI5HdeuzUesTXUqXeEkyAOo6YnF3goqGcLI9NXusji  
egRUZ7B4XcvG52ITB7Wgd/wVfZ53f4mAmYTGJXH+N/lrBBGKuTJ5XncJaliFUKxGP6VmNyyaLUF5  
lITqC9CGHPLSXOGDokt2G9pNwFm2t7AcpwAmegkMNPgCGTd+qk2yljEaT8wf953jUAFedbpN3tX/  
3i+uvHOOMWjQOXJg2lVKKc+bkWa2FrTBDDrIEWVaLrY+M+xelctrCoWnP7u4xgAAMYIBzTCCACK  
AQEwRzAzMQswCQYDVQGEwJCRBTETMBEGA1UEAxMKQ2loaXplbiBDQTEPMAoGA1UEBRMGMjAxNTEY  
AhAQAaaaaaaB/osmDTAcMPESEMAkGBSsOAwIaBQCgXTAYBgkqhkiG9w0BCQMxCwYJKoZIhvcNAQcB  
MBwGCCsGSIb3DQEBJTEPFFwoxNjAzMDEwODM1MjlaMCMGCSqGSIb3DQEBDEWBBRdMJV/nrpY64EI  
8yxx85CqQZPX6DANBgkqhkiG9w0BAQEFAASCAQBQA7ziPEMz2qkayzWBvagGLC4w7tXLP949efvE  
534nh6QrdNizH5WXZwWvzWtz/n3Qxhx108tgaSPtuTod/Sl+S4wVOQZkxKw5jGhLJ2QcNlGHTSc  
WnmNHPtydoWqt+UM6HZJXamQpf/436oYB5uoYqOwMsCB64ZzwilshlC8suTf4loXuljwgHy/mSJP  
GVobBpVeXbn/qEafkN+/hOrVovU+ucW+NAq1AYtLcsuZgVpcNhrRB1ODBPJGoTKBkcFZ6ZKtZ9pY  
PqBJWy2+nEvsNxYoZKz8logVMXTqfvngEyEM5Vo2AVaScJl9RlI8rzoAixRU1HwFuTc9bQekZGe  
AAAAAAAAA</kmehr:Base64EncryptedValue>

</core:binaryproof>

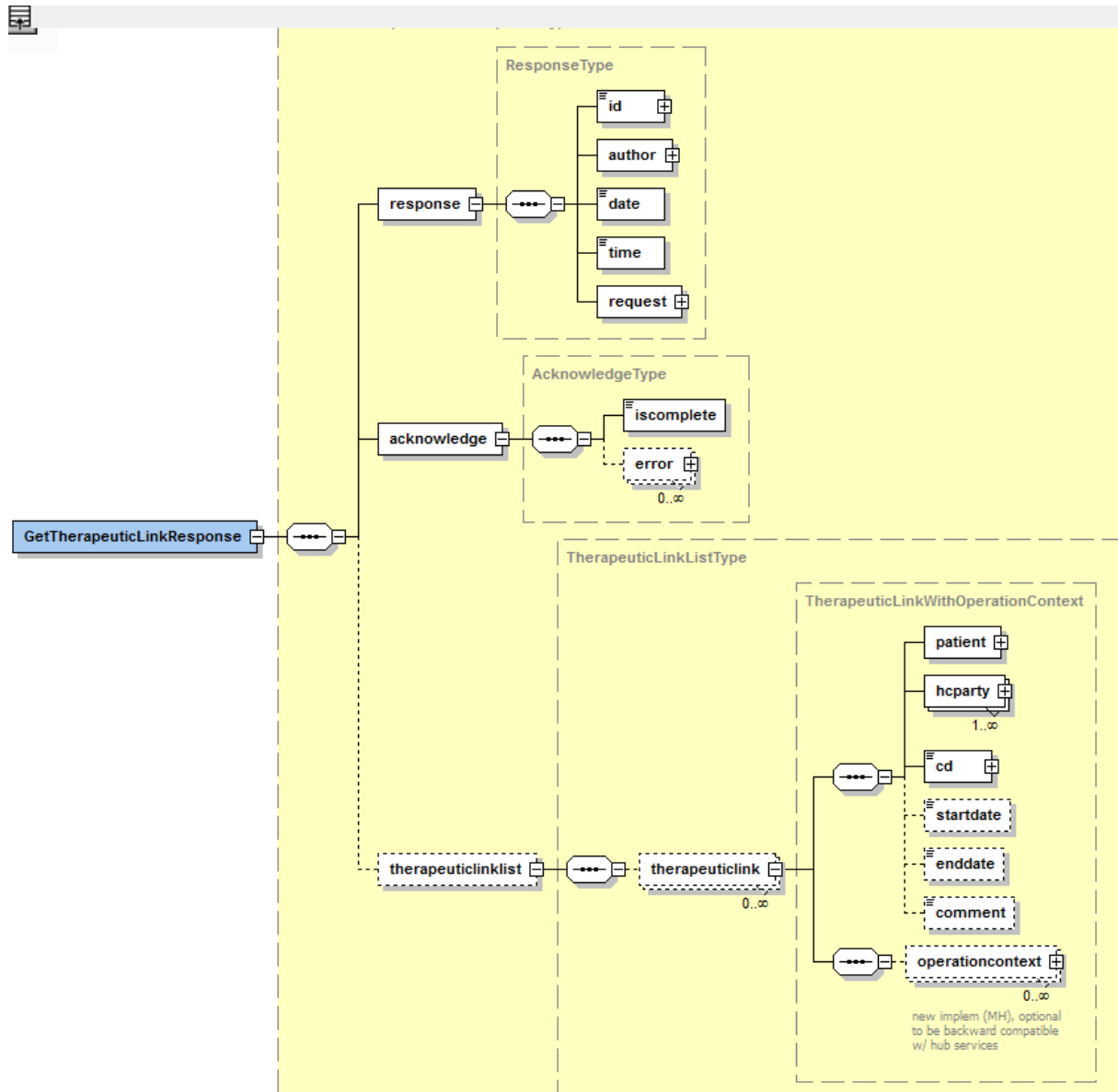
</core:proof>

</GetTherapeuticLinkRequest>



### 5.2.6.3 Output argument “GetTherapeuticLinkResponse”

The reply, as sent back by the GetTherapeuticLink method, is discussed below.



The ‘*response*’ parameter gathers the elements relative to

- the information about the response (id, date, time);
- the sender of the response;
- the initial request.

The ‘*acknowledge*’ parameter gathers the elements relative to

- the service completion (*iscomplete*);
- the errors or exceptions that occurred during the service execution.

The ‘*therapeuticlinklist*’ parameter covers the elements relative to:

- the therapeutic link elements including the context of the operation of the therapeutic link.

Parameter	Attributes		Comments		
response[1]	id [1]	Identifier of the response within the responder system.			
	author [1]	Sender of the response.			
	date [1]	Date of the response (YYYY-MM-DD)			
	time [1]	Time of the response (hh:mm:ss)			
	request [1]	Initial request.			
acknowledge[1]	iscomplete [1]	Indicates if the execution has been successfully completed.			
	error [0-*]	Indicates the error/exception descriptions.			
therapeuticlinklist [0-1]	therapeuticlink [0-*]	patient [1]	<p>Identification of the patient concerned by the therapeutic link.</p> <p>First name and family name.</p>	First name and family name are not returned in the case of 'gmd'.	
		hcparty[1-N]	<p>Identification of the HC party concerned by the therapeutic link.</p> <p>First name and family name if the HC party is a professional</p> <p>Name if if the HC party is an organization</p>	Currently only 1 HC party is supported by the service First name and family name of the professional or name of the organization are not returned in the case of 'gmd'.	
		cd [1]	The type of the therapeutic link.		
		startdate [0-1]	Start date of the therapeutic link.		Not returned in the case of 'gmd'.
		enddate [0-1]	End date of the therapeutic link.		Not returned in the case of 'gmd'.
		comment [0-1]	The comment of the therapeutic link operation.		Not returned in the case of 'gmd'.
			operation [1]	The type of the operation (declaration or revocation).	



		operationcontext [1-*] <sup>30</sup>	recorddatetime [1]	The date and time when the Therapeutic Link WS is recorded in the database.	
			author [0-1]	The author of the operation.	SSIN of the author managing Therapeutic Link WS is not returned.
			proof [0-*]	The proof applied on the context of the operation.	The proofs are in the response but only the types of proof are returned while the binary values of the signed proofs are not returned as they are not relevant for the consultation.

---

<sup>30</sup> Not returned if the therapeutic link is 'gmd'.

## Example: GetTherapeuticLinkResponse.xml

- **Successful completion with a list of therapeutic links**

```
<?xml version="1.0" encoding="UTF-8"?>
<v2:GetTherapeuticLinkResponse xmlns:v2="http://www.ehealth.fgov.be/hubservices/protocol/v2">
  <v21:response xmlns:v21="http://www.ehealth.fgov.be/hubservices/core/v2">
    <v21:id S="ID-KMEHR" SV="1.0">1990000332.20120419094127193</v21:id>
    <v21:author>
      <v1:hcparty xmlns:v1="http://www.ehealth.fgov.be/standards/kmehr/schema/v1">
        <v1:id S="ID-HCPARTY" SV="1.0">123456789</v1:id>
        <v1:cd S="CD-HCPARTY" SV="1.0">orgpublichealth</v1:cd>
        <v1:name>eHealth platform</v1:name>
      </v1:hcparty>
    </v21:author>
    <v21:date>2016-09-30+02:00</v21:date>
    <v21:time>10:38:14.755+02:00</v21:time>
    <v21:request>
      <v21:id S="ID-KMEHR" SV="1.0">1990000332.20120419094127193</v21:id>
      <v21:author>
        <v1:hcparty xmlns:v1="http://www.ehealth.fgov.be/standards/kmehr/schema/v1">
          <v1:id S="LOCAL" SL="application_ID" SV="1.0">1990000332</v1:id>
          <v1:cd S="CD-HCPARTY" SV="1.1">application</v1:cd>
          <v1:name>eHealth Consent</v1:name>
        </v1:hcparty>
        <v1:hcparty xmlns:v1="http://www.ehealth.fgov.be/standards/kmehr/schema/v1">
          <v1:id S="INSS" SV="1.0">5xxxxxxxxx1</v1:id>
          <v1:id S="ID-HCPARTY" SV="1.0">12345678910</v1:id>
          <v1:cd S="CD-HCPARTY" SV="1.1">persphysician</v1:cd>
          <v1:firstname>FakeFirstName</v1:firstname>
          <v1:familyname>FakeLastName</v1:familyname>
        </v1:hcparty>
      </v21:author>
      <v21:date>2016-09-30</v21:date>
      <v21:time>09:41:27.0Z</v21:time>
    </v21:request>
  </v21:response>
  <v21:acknowledge xmlns:v21="http://www.ehealth.fgov.be/hubservices/core/v2">
    <v21:iscomplete>true</v21:iscomplete>
  </v21:acknowledge>
  <v21:therapeuticlinklist xmlns:v21="http://www.ehealth.fgov.be/hubservices/core/v2">
    <v21:therapeuticlink>
      <v21:patient>
        <v21:id S="INSS" SV="1.0">8xxxxxxxxx8</v21:id>
        <v21:firstname>FakeFirstName</v21:firstname>
        <v21:familyname>FakeLastName</v21:familyname>
      </v21:patient>
      <v21:hcparty>
        <v21:id S="ID-HCPARTY" SV="1.0">12345678910</v21:id>
        <v21:id S="INSS" SV="1.0">5xxxxxxxxx1</v21:id>
        <v21:cd S="CD-HCPARTY" SV="1.0">persphysician</v21:cd>
        <v21:firstname>FakeFirstName</v21:firstname>
        <v21:familyname>FakeLastName</v21:familyname>
      </v21:hcparty>
      <v21:cd S="CD-THERAPEUTICLINKTYPE" SV="1.0">gpconsultation</v21:cd>
      <v21:startdate>2016-09-30+02:00</v21:startdate>
      <v21:enddate>2017-12-30+01:00</v21:enddate>
      <v21:comment>Successful declaration</v21:comment>
      <v21:operationcontext>
        <v21:operation>declaration</v21:operation>
        <v21:recorddatetime>2016-09-30T08:33:59.230Z</v21:recorddatetime>
        <v21:author>
          <v21:id S="ID-KMEHR" SV="1.0">1990000332.20120419094127193</v21:id>
          <v21:author>
            <v1:hcparty
xmlns:v1="http://www.ehealth.fgov.be/standards/kmehr/schema/v1">
```





```

<ns2:id S="LOCAL" SV="1.0" SL="application_ID"
xmlns:ns2="http://www.ehealth.fgov.be/standards/kmehr/schema/v1" xmlns:ns4="http://www.w3.org/2001/04/xmlenc#"
xmlns:ns3="http://www.w3.org/2000/09/xmldsig#" xmlns:soap="http://schemas.xmlsoap.org/soap/envelope/"
xmlns:ns5="urn:be:cin:mycarenet:esb:common:v2" xmlns:ns6="urn:be:cin:nippin:esb:therapeuticLink:v2"
xmlns:ns7="urn:be:cin:types:v1" xmlns:ns8="urn:be:cin:nip:async:attributeBatch">1990000332</ns2:id>
<ns2:cd S="CD-HCPARTY" SV="1.1"
xmlns:ns2="http://www.ehealth.fgov.be/standards/kmehr/schema/v1" xmlns:ns4="http://www.w3.org/2001/04/xmlenc#"
xmlns:ns3="http://www.w3.org/2000/09/xmldsig#" xmlns:soap="http://schemas.xmlsoap.org/soap/envelope/"
xmlns:ns5="urn:be:cin:mycarenet:esb:common:v2" xmlns:ns6="urn:be:cin:nippin:esb:therapeuticLink:v2"
xmlns:ns7="urn:be:cin:types:v1" xmlns:ns8="urn:be:cin:nip:async:attributeBatch">application</ns2:cd>
<ns2:name
xmlns:ns2="http://www.ehealth.fgov.be/standards/kmehr/schema/v1" xmlns:ns4="http://www.w3.org/2001/04/xmlenc#"
xmlns:ns3="http://www.w3.org/2000/09/xmldsig#" xmlns:soap="http://schemas.xmlsoap.org/soap/envelope/"
xmlns:ns5="urn:be:cin:mycarenet:esb:common:v2" xmlns:ns6="urn:be:cin:nippin:esb:therapeuticLink:v2"
xmlns:ns7="urn:be:cin:types:v1" xmlns:ns8="urn:be:cin:nip:async:attributeBatch">eHealth Consent</ns2:name>
</v1:hcparty>
<v1:hcparty
xmlns:ns2="http://www.ehealth.fgov.be/standards/kmehr/schema/v1">
<ns2:id S="ID-HCPARTY" SV="1.0"
xmlns:ns2="http://www.ehealth.fgov.be/standards/kmehr/schema/v1" xmlns:ns4="http://www.w3.org/2001/04/xmlenc#"
xmlns:ns3="http://www.w3.org/2000/09/xmldsig#" xmlns:soap="http://schemas.xmlsoap.org/soap/envelope/"
xmlns:ns5="urn:be:cin:mycarenet:esb:common:v2" xmlns:ns6="urn:be:cin:nippin:esb:therapeuticLink:v2"
xmlns:ns7="urn:be:cin:types:v1" xmlns:ns8="urn:be:cin:nip:async:attributeBatch">12345678910</ns2:id>
<ns2:cd S="CD-HCPARTY" SV="1.1"
xmlns:ns2="http://www.ehealth.fgov.be/standards/kmehr/schema/v1" xmlns:ns4="http://www.w3.org/2001/04/xmlenc#"
xmlns:ns3="http://www.w3.org/2000/09/xmldsig#" xmlns:soap="http://schemas.xmlsoap.org/soap/envelope/"
xmlns:ns5="urn:be:cin:mycarenet:esb:common:v2" xmlns:ns6="urn:be:cin:nippin:esb:therapeuticLink:v2"
xmlns:ns7="urn:be:cin:types:v1" xmlns:ns8="urn:be:cin:nip:async:attributeBatch">persphysician</ns2:cd>
<ns2:firstname
xmlns:ns2="http://www.ehealth.fgov.be/standards/kmehr/schema/v1" xmlns:ns4="http://www.w3.org/2001/04/xmlenc#"
xmlns:ns3="http://www.w3.org/2000/09/xmldsig#" xmlns:soap="http://schemas.xmlsoap.org/soap/envelope/"
xmlns:ns5="urn:be:cin:mycarenet:esb:common:v2" xmlns:ns6="urn:be:cin:nippin:esb:therapeuticLink:v2"
xmlns:ns7="urn:be:cin:types:v1" xmlns:ns8="urn:be:cin:nip:async:attributeBatch">FakeFirstName</ns2:firstname>
<ns2:familyname
xmlns:ns2="http://www.ehealth.fgov.be/standards/kmehr/schema/v1" xmlns:ns4="http://www.w3.org/2001/04/xmlenc#"
xmlns:ns3="http://www.w3.org/2000/09/xmldsig#" xmlns:soap="http://schemas.xmlsoap.org/soap/envelope/"
xmlns:ns5="urn:be:cin:mycarenet:esb:common:v2" xmlns:ns6="urn:be:cin:nippin:esb:therapeuticLink:v2"
xmlns:ns7="urn:be:cin:types:v1" xmlns:ns8="urn:be:cin:nip:async:attributeBatch">FakeLastName</ns2:familyname>
</v1:hcparty>
</v21:author>
<v21:date>2016-09-30</v21:date>
<v21:time>09:41:27.0Z</v21:time>
</v21:author>
<v21:proof>
<v21:cd S="CD-PROOFTYPE" SV="1.0">eidreading</v21:cd>
</v21:proof>
</v21:operationcontext>
</v21:therapeuticlink>
<v21:therapeuticlink>
<v21:patient>
<v21:id S="INSS" SV="1.0">8xxxxxxxxx8</v21:id>
<v21:firstname>FakeFirstName</v21:firstname>
<v21:familyname>FakeLastName</v21:familyname>
</v21:patient>
<v21:hcparty>
<v21:id S="ID-HCPARTY" SV="1.0">12345678910</v21:id>
<v21:id S="INSS" SV="1.0">5xxxxxxxxx1</v21:id>
<v21:cd S="CD-HCPARTY" SV="1.0">persphysician</v21:cd>
<v21:firstname>FakeFirstName</v21:firstname>
<v21:familyname>FakeLastName</v21:familyname>
</v21:hcparty>
<v21:cd S="CD-THERAPEUTICLINKTYPE" SV="1.0">specialistconsultation</v21:cd>
<v21:startdate>2016-09-30+02:00</v21:startdate>
<v21:enddate>2019-06-27+02:00</v21:enddate>
<v21:comment>Successful declaration</v21:comment>
<v21:operationcontext>
<v21:operation>declaration</v21:operation>
<v21:recorddatetime>2016-09-30T08:34:01.506Z</v21:recorddatetime>
<v21:author>

```



```

        <v21:id S="ID-KMEHR" SV="1.0">1990000332.20120419094127193</v21:id>
        <v21:author>
            <v1:hcparty
xmlns:v1="http://www.ehealth.fgov.be/standards/kmehr/schema/v1">
                <ns2:id S="LOCAL" SV="1.0" SL="application_ID"
xmlns:ns2="http://www.ehealth.fgov.be/standards/kmehr/schema/v1" xmlns:ns4="http://www.w3.org/2001/04/xmenc#"
xmlns:ns3="http://www.w3.org/2000/09/xmldsig#" xmlns:soap="http://schemas.xmlsoap.org/soap/envelope/"
xmlns:ns5="urn:be:cin:mycarenet:esb:common:v2" xmlns:ns6="urn:be:cin:nippin:esb:therapeuticLink:v2"
xmlns:ns7="urn:be:cin:types:v1" xmlns:ns8="urn:be:cin:nip:async:attributeBatch">1990000332</ns2:id>
                <ns2:cd S="CD-HCPARTY" SV="1.1"
xmlns:ns2="http://www.ehealth.fgov.be/standards/kmehr/schema/v1" xmlns:ns4="http://www.w3.org/2001/04/xmenc#"
xmlns:ns3="http://www.w3.org/2000/09/xmldsig#" xmlns:soap="http://schemas.xmlsoap.org/soap/envelope/"
xmlns:ns5="urn:be:cin:mycarenet:esb:common:v2" xmlns:ns6="urn:be:cin:nippin:esb:therapeuticLink:v2"
xmlns:ns7="urn:be:cin:types:v1" xmlns:ns8="urn:be:cin:nip:async:attributeBatch">application</ns2:cd>
                <ns2:name
xmlns:ns2="http://www.ehealth.fgov.be/standards/kmehr/schema/v1" xmlns:ns4="http://www.w3.org/2001/04/xmenc#"
xmlns:ns3="http://www.w3.org/2000/09/xmldsig#" xmlns:soap="http://schemas.xmlsoap.org/soap/envelope/"
xmlns:ns5="urn:be:cin:mycarenet:esb:common:v2" xmlns:ns6="urn:be:cin:nippin:esb:therapeuticLink:v2"
xmlns:ns7="urn:be:cin:types:v1" xmlns:ns8="urn:be:cin:nip:async:attributeBatch">eHealth Consent</ns2:name>
                </v1:hcparty>
            </v1:hcparty>
        </v21:author>
        <v21:date>2016-09-30</v21:date>
        <v21:time>09:41:27.0Z</v21:time>
    </v21:author>
    <v21:proof>
        <v21:cd S="CD-PROOFTYPE" SV="1.0">eidsigning</v21:cd>
    </v21:proof>
    </v21:operationcontext>
</v21:therapeuticlink>
<v21:therapeuticlink>
    <v21:patient>
        <v21:id S="INSS" SV="1.0">8xxxxxxxxx8</v21:id>
        <v21:firstname>FakeFirstName</v21:firstname>
        <v21:familyname>FakeLastName</v21:familyname>
    </v21:patient>
    <v21:hcparty>
        <v21:id S="ID-HCPARTY" SV="1.0">12345678910</v21:id>
        <v21:id S="INSS" SV="1.0">6xxxxxxxxx1</v21:id>
        <v21:cd S="CD-HCPARTY" SV="1.0">persphysician</v21:cd>
        <v21:firstname>FakeFirstName</v21:firstname>
        <v21:familyname>FakeLastName</v21:familyname>
    </v21:hcparty>
    <v21:cd S="CD-THERAPEUTICLINKTYPE" SV="1.0">gpreferral</v21:cd>
    <v21:startdate>2016-09-30+02:00</v21:startdate>
    <v21:enddate>2016-12-30+01:00</v21:enddate>
    <v21:comment>Successful referral declaration</v21:comment>

```



```

    <v21:operationcontext>
      <v21:operation>declaration</v21:operation>
      <v21:recorddatetime>2016-09-30T08:34:04.546Z</v21:recorddatetime>
      <v21:author>
        <v21:id S="ID-KMEHR" SV="1.0">1990000332.20120419094127193</v21:id>
        <v21:author>
          <v1:hcparty
xmlns:v1="http://www.ehealth.fgov.be/standards/kmehr/schema/v1">
            <ns2:id S="LOCAL" SV="1.0" SL="application_ID"
xmlns:ns2="http://www.ehealth.fgov.be/standards/kmehr/schema/v1" xmlns:ns4="http://www.w3.org/2001/04/xmlenc#"
xmlns:ns3="http://www.w3.org/2000/09/xmldsig#" xmlns:soap="http://schemas.xmlsoap.org/soap/envelope/"
xmlns:ns5="urn:be:cin:mycarenet:esb:common:v2" xmlns:ns6="urn:be:cin:nippin:esb:therapeuticLink:v2"
xmlns:ns7="urn:be:cin:types:v1" xmlns:ns8="urn:be:cin:nip:async:attributeBatch">1990000332</ns2:id>
            <ns2:cd S="CD-HCPARTY" SV="1.1"
xmlns:ns2="http://www.ehealth.fgov.be/standards/kmehr/schema/v1" xmlns:ns4="http://www.w3.org/2001/04/xmlenc#"
xmlns:ns3="http://www.w3.org/2000/09/xmldsig#" xmlns:soap="http://schemas.xmlsoap.org/soap/envelope/"
xmlns:ns5="urn:be:cin:mycarenet:esb:common:v2" xmlns:ns6="urn:be:cin:nippin:esb:therapeuticLink:v2"
xmlns:ns7="urn:be:cin:types:v1" xmlns:ns8="urn:be:cin:nip:async:attributeBatch">application</ns2:cd>
            <ns2:name
xmlns:ns2="http://www.ehealth.fgov.be/standards/kmehr/schema/v1" xmlns:ns4="http://www.w3.org/2001/04/xmlenc#"
xmlns:ns3="http://www.w3.org/2000/09/xmldsig#" xmlns:soap="http://schemas.xmlsoap.org/soap/envelope/"
xmlns:ns5="urn:be:cin:mycarenet:esb:common:v2" xmlns:ns6="urn:be:cin:nippin:esb:therapeuticLink:v2"
xmlns:ns7="urn:be:cin:types:v1" xmlns:ns8="urn:be:cin:nip:async:attributeBatch">eHealth Consent</ns2:name>
            </v1:hcparty>
          <v1:hcparty
xmlns:v1="http://www.ehealth.fgov.be/standards/kmehr/schema/v1">
            <ns2:id S="ID-HCPARTY" SV="1.0"
xmlns:ns2="http://www.ehealth.fgov.be/standards/kmehr/schema/v1" xmlns:ns4="http://www.w3.org/2001/04/xmlenc#"
xmlns:ns3="http://www.w3.org/2000/09/xmldsig#" xmlns:soap="http://schemas.xmlsoap.org/soap/envelope/"
xmlns:ns5="urn:be:cin:mycarenet:esb:common:v2" xmlns:ns6="urn:be:cin:nippin:esb:therapeuticLink:v2"
xmlns:ns7="urn:be:cin:types:v1" xmlns:ns8="urn:be:cin:nip:async:attributeBatch">12345678910</ns2:id>
            <ns2:cd S="CD-HCPARTY" SV="1.1"
xmlns:ns2="http://www.ehealth.fgov.be/standards/kmehr/schema/v1" xmlns:ns4="http://www.w3.org/2001/04/xmlenc#"
xmlns:ns3="http://www.w3.org/2000/09/xmldsig#" xmlns:soap="http://schemas.xmlsoap.org/soap/envelope/"
xmlns:ns5="urn:be:cin:mycarenet:esb:common:v2" xmlns:ns6="urn:be:cin:nippin:esb:therapeuticLink:v2"
xmlns:ns7="urn:be:cin:types:v1" xmlns:ns8="urn:be:cin:nip:async:attributeBatch">persphysician</ns2:cd>
            <ns2:firstname
xmlns:ns2="http://www.ehealth.fgov.be/standards/kmehr/schema/v1" xmlns:ns4="http://www.w3.org/2001/04/xmlenc#"
xmlns:ns3="http://www.w3.org/2000/09/xmldsig#" xmlns:soap="http://schemas.xmlsoap.org/soap/envelope/"
xmlns:ns5="urn:be:cin:mycarenet:esb:common:v2" xmlns:ns6="urn:be:cin:nippin:esb:therapeuticLink:v2"
xmlns:ns7="urn:be:cin:types:v1" xmlns:ns8="urn:be:cin:nip:async:attributeBatch">FakeFirstName</ns2:firstname>
            <ns2:familyname
xmlns:ns2="http://www.ehealth.fgov.be/standards/kmehr/schema/v1" xmlns:ns4="http://www.w3.org/2001/04/xmlenc#"
xmlns:ns3="http://www.w3.org/2000/09/xmldsig#" xmlns:soap="http://schemas.xmlsoap.org/soap/envelope/"
xmlns:ns5="urn:be:cin:mycarenet:esb:common:v2" xmlns:ns6="urn:be:cin:nippin:esb:therapeuticLink:v2"
xmlns:ns7="urn:be:cin:types:v1" xmlns:ns8="urn:be:cin:nip:async:attributeBatch">FakeLastName</ns2:familyname>
            </v1:hcparty>
          </v21:author>
          <v21:date>2016-09-30</v21:date>
          <v21:time>09:41:27.0Z</v21:time>
        </v21:author>
        <v21:proof>
          <v21:cd S="CD-PROOFTYPE" SV="1.0">eidsigning</v21:cd>
        </v21:proof>
      </v21:operationcontext>
    </v21:therapeuticlink>
  </v21:therapeuticlink>
  <v21:patient>
    <v21:id S="INSS" SV="1.0">8xxxxxxxxx8</v21:id>
    <v21:firstname>FakeFirstName</v21:firstname>
    <v21:familyname>FakeLastName</v21:familyname>
  </v21:patient>
  <v21:hcparty>
    <v21:id S="ID-HCPARTY" SV="1.0">12345678910</v21:id>
    <v21:id S="INSS" SV="1.0">67060405711</v21:id>
    <v21:cd S="CD-HCPARTY" SV="1.0">persphysician</v21:cd>
    <v21:firstname>FakeFirstName</v21:firstname>
    <v21:familyname>FakeLastName</v21:familyname>
  </v21:hcparty>

```



```

        <v21:name>PHARMA TL MIG 1</v21:name>
    </v21:hcparty>
    <v21:cd S="CD-THERAPEUTICLINKTYPE" SV="1.0">pharmacistreferral</v21:cd>
    <v21:startdate>2016-09-30+02:00</v21:startdate>
    <v21:enddate>2016-12-30+01:00</v21:enddate>
    <v21:comment>Successful declaration pharmacist referral</v21:comment>
    <v21:operationcontext>
        <v21:operation>declaration</v21:operation>
        <v21:recorddatetime>2016-09-30T08:34:11.217Z</v21:recorddatetime>
        <v21:author>
            <v21:id S="ID-KMEHR" SV="1.0">1990000332.20120419094127193</v21:id>
            <v21:author>
                <v1:hcparty
                    xmlns:v1="http://www.ehealth.fgov.be/standards/kmehr/schema/v1">
                        <ns2:id S="LOCAL" SV="1.0" SL="application_ID"
                            xmlns:ns2="http://www.ehealth.fgov.be/standards/kmehr/schema/v1" xmlns:ns4="http://www.w3.org/2001/04/xmlenc#"
                            xmlns:ns3="http://www.w3.org/2000/09/xmldsig#" xmlns:soap="http://schemas.xmlsoap.org/soap/envelope/"
                            xmlns:ns5="urn:be:cin:mycarenet:esb:common:v2" xmlns:ns6="urn:be:cin:nippin:esb:therapeuticLink:v2"
                            xmlns:ns7="urn:be:cin:types:v1" xmlns:ns8="urn:be:cin:nip:async:attributeBatch">1990000332</ns2:id>
                            <ns2:cd S="CD-HCPARTY" SV="1.1"
                                xmlns:ns2="http://www.ehealth.fgov.be/standards/kmehr/schema/v1" xmlns:ns4="http://www.w3.org/2001/04/xmlenc#"
                                xmlns:ns3="http://www.w3.org/2000/09/xmldsig#" xmlns:soap="http://schemas.xmlsoap.org/soap/envelope/"
                                xmlns:ns5="urn:be:cin:mycarenet:esb:common:v2" xmlns:ns6="urn:be:cin:nippin:esb:therapeuticLink:v2"
                                xmlns:ns7="urn:be:cin:types:v1" xmlns:ns8="urn:be:cin:nip:async:attributeBatch">application</ns2:cd>
                                <ns2:name
                                    xmlns:ns2="http://www.ehealth.fgov.be/standards/kmehr/schema/v1" xmlns:ns4="http://www.w3.org/2001/04/xmlenc#"
                                    xmlns:ns3="http://www.w3.org/2000/09/xmldsig#" xmlns:soap="http://schemas.xmlsoap.org/soap/envelope/"
                                    xmlns:ns5="urn:be:cin:mycarenet:esb:common:v2" xmlns:ns6="urn:be:cin:nippin:esb:therapeuticLink:v2"
                                    xmlns:ns7="urn:be:cin:types:v1" xmlns:ns8="urn:be:cin:nip:async:attributeBatch">eHealth Consent</ns2:name>
                                </v1:hcparty>
                                <v1:hcparty
                                    xmlns:v1="http://www.ehealth.fgov.be/standards/kmehr/schema/v1">
                                        <ns2:id S="ID-HCPARTY" SV="1.0"
                                            xmlns:ns2="http://www.ehealth.fgov.be/standards/kmehr/schema/v1" xmlns:ns4="http://www.w3.org/2001/04/xmlenc#"
                                            xmlns:ns3="http://www.w3.org/2000/09/xmldsig#" xmlns:soap="http://schemas.xmlsoap.org/soap/envelope/"
                                            xmlns:ns5="urn:be:cin:mycarenet:esb:common:v2" xmlns:ns6="urn:be:cin:nippin:esb:therapeuticLink:v2"
                                            xmlns:ns7="urn:be:cin:types:v1" xmlns:ns8="urn:be:cin:nip:async:attributeBatch">12345678910</ns2:id>
                                            <ns2:cd S="CD-HCPARTY" SV="1.1"
                                                xmlns:ns2="http://www.ehealth.fgov.be/standards/kmehr/schema/v1" xmlns:ns4="http://www.w3.org/2001/04/xmlenc#"
                                                xmlns:ns3="http://www.w3.org/2000/09/xmldsig#" xmlns:soap="http://schemas.xmlsoap.org/soap/envelope/"
                                                xmlns:ns5="urn:be:cin:mycarenet:esb:common:v2" xmlns:ns6="urn:be:cin:nippin:esb:therapeuticLink:v2"
                                                xmlns:ns7="urn:be:cin:types:v1" xmlns:ns8="urn:be:cin:nip:async:attributeBatch">persphysician</ns2:cd>
                                                <ns2:firstname
                                                    xmlns:ns2="http://www.ehealth.fgov.be/standards/kmehr/schema/v1" xmlns:ns4="http://www.w3.org/2001/04/xmlenc#"
                                                    xmlns:ns3="http://www.w3.org/2000/09/xmldsig#" xmlns:soap="http://schemas.xmlsoap.org/soap/envelope/"
                                                    xmlns:ns5="urn:be:cin:mycarenet:esb:common:v2" xmlns:ns6="urn:be:cin:nippin:esb:therapeuticLink:v2"
                                                    xmlns:ns7="urn:be:cin:types:v1" xmlns:ns8="urn:be:cin:nip:async:attributeBatch">FakeFirstName</ns2:firstname>
                                                    <ns2:familyname
                                                        xmlns:ns2="http://www.ehealth.fgov.be/standards/kmehr/schema/v1" xmlns:ns4="http://www.w3.org/2001/04/xmlenc#"
                                                        xmlns:ns3="http://www.w3.org/2000/09/xmldsig#" xmlns:soap="http://schemas.xmlsoap.org/soap/envelope/"
                                                        xmlns:ns5="urn:be:cin:mycarenet:esb:common:v2" xmlns:ns6="urn:be:cin:nippin:esb:therapeuticLink:v2"
                                                        xmlns:ns7="urn:be:cin:types:v1" xmlns:ns8="urn:be:cin:nip:async:attributeBatch">FakeLastName</ns2:familyname>
                                                    </v1:hcparty>
                                                    </v21:author>
                                                    <v21:date>2016-09-30</v21:date>
                                                    <v21:time>09:41:27.0Z</v21:time>
                                                </v21:author>
                                                <v21:proof>
                                                    <v21:cd S="CD-PROOFTYPE" SV="1.0">eidsigning</v21:cd>
                                                </v21:proof>
                                                </v21:operationcontext>
                                            </v21:therapeuticlink>
                                            <v21:therapeuticlink>
                                                <v21:patient>
                                                    <v21:id S="INSS" SV="1.0">8xxxxxxxxx8</v21:id>
                                                    <v21:firstname>FakeFirstName</v21:firstname>
                                                    <v21:familyname>FakeLastName</v21:familyname>
                                                </v21:patient>
                                                </v21:hcparty>
                    </v1:hcparty>
                </v21:author>
            </v21:author>
        </v21:operationcontext>
    </v21:therapeuticlink>
    <v21:therapeuticlink>
        <v21:patient>
            <v21:id S="INSS" SV="1.0">8xxxxxxxxx8</v21:id>
            <v21:firstname>FakeFirstName</v21:firstname>
            <v21:familyname>FakeLastName</v21:familyname>
        </v21:patient>
        </v21:hcparty>

```



```

        <v21:id S="ID-HCPARTY" SV="1.0">12345678910</v21:id>
        <v21:id S="INSS" SV="1.0">6xxxxxxxxx1</v21:id>
        <v21:cd S="CD-HCPARTY" SV="1.0">persnurse</v21:cd>
        <v21:firstname>FakeFirstName</v21:firstname>
        <v21:familyname>FakeLastName</v21:familyname>
    </v21:hcparty>
    <v21:cd S="CD-THERAPEUTICLINKTYPE" SV="1.0">nursereferral</v21:cd>
    <v21:startdate>2016-09-30+02:00</v21:startdate>
    <v21:enddate>2016-12-30+01:00</v21:enddate>
    <v21:comment>Successful declaration nurse referral</v21:comment>
    <v21:operationcontext>
        <v21:operation>declaration</v21:operation>
        <v21:recorddatetime>2016-09-30T08:34:13.947Z</v21:recorddatetime>
        <v21:author>
            <v21:id S="ID-KMEHR" SV="1.0">1990000332.20120419094127193</v21:id>
            <v21:author>
                <v1:hcparty
xmlns:v1="http://www.ehealth.fgov.be/standards/kmehr/schema/v1">
                    <ns2:id S="LOCAL" SV="1.0" SL="application_ID"
xmlns:ns2="http://www.ehealth.fgov.be/standards/kmehr/schema/v1" xmlns:ns4="http://www.w3.org/2001/04/xmlenc#"
xmlns:ns3="http://www.w3.org/2000/09/xmldsig#" xmlns:soap="http://schemas.xmlsoap.org/soap/envelope/"
xmlns:ns5="urn:be:cin:mycarenet:esb:common:v2" xmlns:ns6="urn:be:cin:nippin:esb:therapeuticLink:v2"
xmlns:ns7="urn:be:cin:types:v1" xmlns:ns8="urn:be:cin:nip:async:attributeBatch">1990000332</ns2:id>
                    <ns2:cd S="CD-HCPARTY" SV="1.1"
xmlns:ns2="http://www.ehealth.fgov.be/standards/kmehr/schema/v1" xmlns:ns4="http://www.w3.org/2001/04/xmlenc#"
xmlns:ns3="http://www.w3.org/2000/09/xmldsig#" xmlns:soap="http://schemas.xmlsoap.org/soap/envelope/"
xmlns:ns5="urn:be:cin:mycarenet:esb:common:v2" xmlns:ns6="urn:be:cin:nippin:esb:therapeuticLink:v2"
xmlns:ns7="urn:be:cin:types:v1" xmlns:ns8="urn:be:cin:nip:async:attributeBatch">application</ns2:cd>
                    <ns2:name
xmlns:ns2="http://www.ehealth.fgov.be/standards/kmehr/schema/v1" xmlns:ns4="http://www.w3.org/2001/04/xmlenc#"
xmlns:ns3="http://www.w3.org/2000/09/xmldsig#" xmlns:soap="http://schemas.xmlsoap.org/soap/envelope/"
xmlns:ns5="urn:be:cin:mycarenet:esb:common:v2" xmlns:ns6="urn:be:cin:nippin:esb:therapeuticLink:v2"
xmlns:ns7="urn:be:cin:types:v1" xmlns:ns8="urn:be:cin:nip:async:attributeBatch">eHealth Consent</ns2:name>
                </v1:hcparty>
            </v1:hcparty>
        </v21:author>
        <v21:date>2016-09-30</v21:date>
        <v21:time>09:41:27.0Z</v21:time>
    </v21:author>
    <v21:proof>
        <v21:cd S="CD-PROOFTYPE" SV="1.0">eidsigning</v21:cd>
    </v21:proof>
    </v21:operationcontext>
</v21:therapeuticlink>
<v21:therapeuticlink>
    <v21:patient>
        <v21:id S="INSS" SV="1.0">8xxxxxxxxx8</v21:id>

```



```

        <v21:firstname>FakeFirstName</v21:firstname>
        <v21:familyname>FakeLastName</v21:familyname>
    </v21:patient>
    <v21:hcparty>
        <v21:id S="ID-HCPARTY" SV="1.0">12345678910</v21:id>
        <v21:id S="INSS" SV="1.0">2xxxxxxxxx8</v21:id>
        <v21:cd S="CD-HCPARTY" SV="1.0">persdentist</v21:cd>
        <v21:firstname>FakeFirstName</v21:firstname>
        <v21:familyname>FakeLastName</v21:familyname>
    </v21:hcparty>
    <v21:cd S="CD-THERAPEUTICLINKTYPE" SV="1.0">referral</v21:cd>
    <v21:startdate>2016-09-30+02:00</v21:startdate>
    <v21:enddate>2016-12-30+01:00</v21:enddate>
    <v21:comment>Successful declaration dentist referral</v21:comment>
    <v21:operationcontext>
        <v21:operation>declaration</v21:operation>
        <v21:recorddatetime>2016-09-30T08:34:16.346Z</v21:recorddatetime>
        <v21:author>
            <v21:id S="ID-KMEHR" SV="1.0">1990000332.20120419094127193</v21:id>
            <v21:author>
                <v1:hcparty
xmlns:v1="http://www.ehealth.fgov.be/standards/kmehr/schema/v1">
                    <ns2:id S="LOCAL" SV="1.0" SL="application_ID"
xmlns:ns2="http://www.ehealth.fgov.be/standards/kmehr/schema/v1" xmlns:ns4="http://www.w3.org/2001/04/xmlenc#"
xmlns:ns3="http://www.w3.org/2000/09/xmldsig#" xmlns:soap="http://schemas.xmlsoap.org/soap/envelope/"
xmlns:ns5="urn:be:cin:mycarenet:esb:common:v2" xmlns:ns6="urn:be:cin:nippin:esb:therapeuticLink:v2"
xmlns:ns7="urn:be:cin:types:v1" xmlns:ns8="urn:be:cin:nip:async:attributeBatch">1990000332</ns2:id>
                    <ns2:cd S="CD-HCPARTY" SV="1.1"
xmlns:ns2="http://www.ehealth.fgov.be/standards/kmehr/schema/v1" xmlns:ns4="http://www.w3.org/2001/04/xmlenc#"
xmlns:ns3="http://www.w3.org/2000/09/xmldsig#" xmlns:soap="http://schemas.xmlsoap.org/soap/envelope/"
xmlns:ns5="urn:be:cin:mycarenet:esb:common:v2" xmlns:ns6="urn:be:cin:nippin:esb:therapeuticLink:v2"
xmlns:ns7="urn:be:cin:types:v1" xmlns:ns8="urn:be:cin:nip:async:attributeBatch">application</ns2:cd>
                    <ns2:name
xmlns:ns2="http://www.ehealth.fgov.be/standards/kmehr/schema/v1" xmlns:ns4="http://www.w3.org/2001/04/xmlenc#"
xmlns:ns3="http://www.w3.org/2000/09/xmldsig#" xmlns:soap="http://schemas.xmlsoap.org/soap/envelope/"
xmlns:ns5="urn:be:cin:mycarenet:esb:common:v2" xmlns:ns6="urn:be:cin:nippin:esb:therapeuticLink:v2"
xmlns:ns7="urn:be:cin:types:v1" xmlns:ns8="urn:be:cin:nip:async:attributeBatch">eHealth Consent</ns2:name>
                </v1:hcparty>
            </v1:hcparty>
        </v21:author>
        <v21:date>2016-09-30</v21:date>
        <v21:time>09:41:27.0Z</v21:time>
    </v21:author>
    <v21:proof>
        <v21:cd S="CD-PROOFTYPE" SV="1.0">eidsigning</v21:cd>
    </v21:proof>
</v21:operationcontext>

```

```

</v21:therapeuticlink>
<v21:therapeuticlink>
  <v21:patient>
    <v21:id S="INSS" SV="1.0">8xxxxxxxxx8</v21:id>
    <v21:firstname>FakeFirstName</v21:firstname>
    <v21:familyname>FakeLastName</v21:familyname>
  </v21:patient>
  <v21:hcparty>
    <v21:id S="ID-HCPARTY" SV="1.0">12345678910</v21:id>
    <v21:id S="INSS" SV="1.0">2xxxxxxxxx7</v21:id>
    <v21:cd S="CD-HCPARTY" SV="1.0">persmidwife</v21:cd>
    <v21:firstname>FakeFirstName</v21:firstname>
    <v21:familyname>FakeLastName</v21:familyname>
  </v21:hcparty>
  <v21:cd S="CD-THERAPEUTICLINKTYPE" SV="1.0">referral</v21:cd>
  <v21:startdate>2016-09-30+02:00</v21:startdate>
  <v21:enddate>2016-12-30+01:00</v21:enddate>
  <v21:comment>Successful declaration midwife referral</v21:comment>
  <v21:operationcontext>
    <v21:operation>declaration</v21:operation>
    <v21:recorddatetime>2016-09-30T08:34:19.556Z</v21:recorddatetime>
    <v21:author>
      <v21:id S="ID-KMEHR" SV="1.0">1990000332.20120419094127193</v21:id>
      <v21:author>
        <v1:hcparty
xmlns:v1="http://www.ehealth.fgov.be/standards/kmehr/schema/v1">
          <ns2:id S="LOCAL" SV="1.0" SL="application_ID"
xmlns:ns2="http://www.ehealth.fgov.be/standards/kmehr/schema/v1" xmlns:ns4="http://www.w3.org/2001/04/xmlenc#"
xmlns:ns3="http://www.w3.org/2000/09/xmldsig#" xmlns:soap="http://schemas.xmlsoap.org/soap/envelope/"
xmlns:ns5="urn:be:cin:mycarenet:esb:common:v2" xmlns:ns6="urn:be:cin:nippin:esb:therapeuticLink:v2"
xmlns:ns7="urn:be:cin:types:v1" xmlns:ns8="urn:be:cin:nip:async:attributeBatch">1990000332</ns2:id>
          <ns2:cd S="CD-HCPARTY" SV="1.1"
xmlns:ns2="http://www.ehealth.fgov.be/standards/kmehr/schema/v1" xmlns:ns4="http://www.w3.org/2001/04/xmlenc#"
xmlns:ns3="http://www.w3.org/2000/09/xmldsig#" xmlns:soap="http://schemas.xmlsoap.org/soap/envelope/"
xmlns:ns5="urn:be:cin:mycarenet:esb:common:v2" xmlns:ns6="urn:be:cin:nippin:esb:therapeuticLink:v2"
xmlns:ns7="urn:be:cin:types:v1" xmlns:ns8="urn:be:cin:nip:async:attributeBatch">application</ns2:cd>
          <ns2:name
xmlns:ns2="http://www.ehealth.fgov.be/standards/kmehr/schema/v1" xmlns:ns4="http://www.w3.org/2001/04/xmlenc#"
xmlns:ns3="http://www.w3.org/2000/09/xmldsig#" xmlns:soap="http://schemas.xmlsoap.org/soap/envelope/"
xmlns:ns5="urn:be:cin:mycarenet:esb:common:v2" xmlns:ns6="urn:be:cin:nippin:esb:therapeuticLink:v2"
xmlns:ns7="urn:be:cin:types:v1" xmlns:ns8="urn:be:cin:nip:async:attributeBatch">eHealth Consent</ns2:name>
          </v1:hcparty>
        </v1:hcparty>
      </v21:author>
    </v21:author>
  </v21:operationcontext>
  <v21:author>
    <v21:id S="ID-HCPARTY" SV="1.0"
xmlns:ns2="http://www.ehealth.fgov.be/standards/kmehr/schema/v1" xmlns:ns4="http://www.w3.org/2001/04/xmlenc#"
xmlns:ns3="http://www.w3.org/2000/09/xmldsig#" xmlns:soap="http://schemas.xmlsoap.org/soap/envelope/"
xmlns:ns5="urn:be:cin:mycarenet:esb:common:v2" xmlns:ns6="urn:be:cin:nippin:esb:therapeuticLink:v2"
xmlns:ns7="urn:be:cin:types:v1" xmlns:ns8="urn:be:cin:nip:async:attributeBatch">12345678910</ns2:id>
    <v21:cd S="CD-HCPARTY" SV="1.1"
xmlns:ns2="http://www.ehealth.fgov.be/standards/kmehr/schema/v1" xmlns:ns4="http://www.w3.org/2001/04/xmlenc#"
xmlns:ns3="http://www.w3.org/2000/09/xmldsig#" xmlns:soap="http://schemas.xmlsoap.org/soap/envelope/"
xmlns:ns5="urn:be:cin:mycarenet:esb:common:v2" xmlns:ns6="urn:be:cin:nippin:esb:therapeuticLink:v2"
xmlns:ns7="urn:be:cin:types:v1" xmlns:ns8="urn:be:cin:nip:async:attributeBatch">persphysician</ns2:cd>
    <v21:firstname
xmlns:ns2="http://www.ehealth.fgov.be/standards/kmehr/schema/v1" xmlns:ns4="http://www.w3.org/2001/04/xmlenc#"
xmlns:ns3="http://www.w3.org/2000/09/xmldsig#" xmlns:soap="http://schemas.xmlsoap.org/soap/envelope/"
xmlns:ns5="urn:be:cin:mycarenet:esb:common:v2" xmlns:ns6="urn:be:cin:nippin:esb:therapeuticLink:v2"
xmlns:ns7="urn:be:cin:types:v1" xmlns:ns8="urn:be:cin:nip:async:attributeBatch">FakeFirstName</ns2:firstname>
    <v21:familyname
xmlns:ns2="http://www.ehealth.fgov.be/standards/kmehr/schema/v1" xmlns:ns4="http://www.w3.org/2001/04/xmlenc#"
xmlns:ns3="http://www.w3.org/2000/09/xmldsig#" xmlns:soap="http://schemas.xmlsoap.org/soap/envelope/"
xmlns:ns5="urn:be:cin:mycarenet:esb:common:v2" xmlns:ns6="urn:be:cin:nippin:esb:therapeuticLink:v2"
xmlns:ns7="urn:be:cin:types:v1" xmlns:ns8="urn:be:cin:nip:async:attributeBatch">FakeLastName</ns2:familyname>
  </v21:author>
</v21:author>
</v21:author>
</v21:author>

```

```

        <v21:proof>
            <v21:cd S="CD-PROOFTYPE" SV="1.0">eidsigning</v21:cd>
        </v21:proof>
    </v21:operationcontext>
</v21:therapeuticlink>
<v21:therapeuticlink>
    <v21:patient>
        <v21:id S="INSS" SV="1.0">8xxxxxxxxx8</v21:id>
        <v21:firstname>FakeFirstName</v21:firstname>
        <v21:familyname>FakeLastName</v21:familyname>
    </v21:patient>
    <v21:hcparty>
        <v21:id S="INSS" SV="1.0">2xxxxxxxx</v21:id>
        <v21:cd S="CD-HCPARTY" SV="1.0">persphysician</v21:cd>
        <v21:firstname>FakeFirstName</v21:firstname>
        <v21:familyname>FakeLastName</v21:familyname>
    </v21:hcparty>
    <v21:cd S="CD-THERAPEUTICLINKTYPE" SV="1.0">gpreferral</v21:cd>
    <v21:startdate>2016-09-30+02:00</v21:startdate>
    <v21:enddate>2016-12-30+01:00</v21:enddate>
    <v21:comment>Successful declaration midwife referral</v21:comment>
    <v21:operationcontext>
        <v21:operation>declaration</v21:operation>
        <v21:recorddatetime>2016-09-30T08:34:22.679Z</v21:recorddatetime>
        <v21:author>
            <v21:id S="ID-KMEHR" SV="1.0">1990000332.20120419094127193</v21:id>
            <v21:author>
                <v1:hcparty
xmlns:v1="http://www.ehealth.fgov.be/standards/kmehr/schema/v1">
                    <ns2:id S="LOCAL" SV="1.0" SL="application_ID"
xmlns:ns2="http://www.ehealth.fgov.be/standards/kmehr/schema/v1" xmlns:ns4="http://www.w3.org/2001/04/xmlenc#"
xmlns:ns3="http://www.w3.org/2000/09/xmldsig#" xmlns:soap="http://schemas.xmlsoap.org/soap/envelope/"
xmlns:ns5="urn:be:cin:mycarenet:esb:common:v2" xmlns:ns6="urn:be:cin:nippin:esb:therapeuticLink:v2"
xmlns:ns7="urn:be:cin:types:v1" xmlns:ns8="urn:be:cin:nip:async:attributeBatch">1990000332</ns2:id>
                    <ns2:cd S="CD-HCPARTY" SV="1.1"
xmlns:ns2="http://www.ehealth.fgov.be/standards/kmehr/schema/v1" xmlns:ns4="http://www.w3.org/2001/04/xmlenc#"
xmlns:ns3="http://www.w3.org/2000/09/xmldsig#" xmlns:soap="http://schemas.xmlsoap.org/soap/envelope/"
xmlns:ns5="urn:be:cin:mycarenet:esb:common:v2" xmlns:ns6="urn:be:cin:nippin:esb:therapeuticLink:v2"
xmlns:ns7="urn:be:cin:types:v1" xmlns:ns8="urn:be:cin:nip:async:attributeBatch">application</ns2:cd>
                    <ns2:name
xmlns:ns2="http://www.ehealth.fgov.be/standards/kmehr/schema/v1" xmlns:ns4="http://www.w3.org/2001/04/xmlenc#"
xmlns:ns3="http://www.w3.org/2000/09/xmldsig#" xmlns:soap="http://schemas.xmlsoap.org/soap/envelope/"
xmlns:ns5="urn:be:cin:mycarenet:esb:common:v2" xmlns:ns6="urn:be:cin:nippin:esb:therapeuticLink:v2"
xmlns:ns7="urn:be:cin:types:v1" xmlns:ns8="urn:be:cin:nip:async:attributeBatch">eHealth Consent</ns2:name>
                </v1:hcparty>
            </v1:hcparty>
        </v21:author>
    </v21:author>
    <v21:author>
        <ns2:id S="ID-HCPARTY" SV="1.0"
xmlns:ns2="http://www.ehealth.fgov.be/standards/kmehr/schema/v1" xmlns:ns4="http://www.w3.org/2001/04/xmlenc#"
xmlns:ns3="http://www.w3.org/2000/09/xmldsig#" xmlns:soap="http://schemas.xmlsoap.org/soap/envelope/"
xmlns:ns5="urn:be:cin:mycarenet:esb:common:v2" xmlns:ns6="urn:be:cin:nippin:esb:therapeuticLink:v2"
xmlns:ns7="urn:be:cin:types:v1" xmlns:ns8="urn:be:cin:nip:async:attributeBatch">12345678910</ns2:id>
        <ns2:cd S="CD-HCPARTY" SV="1.1"
xmlns:ns2="http://www.ehealth.fgov.be/standards/kmehr/schema/v1" xmlns:ns4="http://www.w3.org/2001/04/xmlenc#"
xmlns:ns3="http://www.w3.org/2000/09/xmldsig#" xmlns:soap="http://schemas.xmlsoap.org/soap/envelope/"
xmlns:ns5="urn:be:cin:mycarenet:esb:common:v2" xmlns:ns6="urn:be:cin:nippin:esb:therapeuticLink:v2"
xmlns:ns7="urn:be:cin:types:v1" xmlns:ns8="urn:be:cin:nip:async:attributeBatch">persphysician</ns2:cd>
        <ns2:firstname
xmlns:ns2="http://www.ehealth.fgov.be/standards/kmehr/schema/v1" xmlns:ns4="http://www.w3.org/2001/04/xmlenc#"
xmlns:ns3="http://www.w3.org/2000/09/xmldsig#" xmlns:soap="http://schemas.xmlsoap.org/soap/envelope/"
xmlns:ns5="urn:be:cin:mycarenet:esb:common:v2" xmlns:ns6="urn:be:cin:nippin:esb:therapeuticLink:v2"
xmlns:ns7="urn:be:cin:types:v1" xmlns:ns8="urn:be:cin:nip:async:attributeBatch">FakeFirstName</ns2:firstname>
        <ns2:familyname
xmlns:ns2="http://www.ehealth.fgov.be/standards/kmehr/schema/v1" xmlns:ns4="http://www.w3.org/2001/04/xmlenc#"
xmlns:ns3="http://www.w3.org/2000/09/xmldsig#" xmlns:soap="http://schemas.xmlsoap.org/soap/envelope/"
xmlns:ns5="urn:be:cin:mycarenet:esb:common:v2" xmlns:ns6="urn:be:cin:nippin:esb:therapeuticLink:v2"
xmlns:ns7="urn:be:cin:types:v1" xmlns:ns8="urn:be:cin:nip:async:attributeBatch">FakeLastName</ns2:familyname>
    </v1:hcparty>
</v21:author>

```





```

        <v21:date>2016-09-30</v21:date>
        <v21:time>09:41:27.0Z</v21:time>
      </v21:author>
      <v21:proof>
        <v21:cd S="CD-PROOFTYPE" SV="1.0">eidsigning</v21:cd>
      </v21:proof>
    </v21:operationcontext>
  </v21:therapeuticlink>
</v21:therapeuticlinklist>
</v2:GetTherapeuticLinkResponse>

```

- **Successful completion with empty list**

```

<v2:GetTherapeuticLinkResponse xmlns:v2="http://www.ehealth.fgov.be/hubservices/protocol/v2">
  <v21:response xmlns:v21="http://www.ehealth.fgov.be/hubservices/core/v2">
    <v21:id S="ID-KMEHR" SV="1.0">1990000332.20120419094127193</v21:id>
    <v21:author>
      <v1:hcparty xmlns:v1="http://www.ehealth.fgov.be/standards/kmehr/schema/v1">
        <v1:id S="ID-HCPARTY" SV="1.0">123456789</v1:id>
        <v1:cd S="CD-HCPARTY" SV="1.0">orgpublichealth</v1:cd>
        <v1:name>eHealth platform</v1:name>
      </v1:hcparty>
    </v21:author>
    <v21:date>2016-09-30+02:00</v21:date>
    <v21:time>10:38:14.755+02:00</v21:time>
    <v21:request>
      <v21:id S="ID-KMEHR" SV="1.0">1990000332.20120419094127193</v21:id>
      <v21:author>
        <v1:hcparty xmlns:v1="http://www.ehealth.fgov.be/standards/kmehr/schema/v1">
          <v1:id S="LOCAL" SL="application_ID" SV="1.0">1990000332</v1:id>
          <v1:cd S="CD-HCPARTY" SV="1.1">application</v1:cd>
          <v1:name>eHealth Consent</v1:name>
        </v1:hcparty>
        <v1:hcparty xmlns:v1="http://www.ehealth.fgov.be/standards/kmehr/schema/v1">
          <v1:id S="INSS" SV="1.0">5xxxxxxxxx1</v1:id>
          <v1:id S="ID-HCPARTY" SV="1.0">12345678910</v1:id>
          <v1:cd S="CD-HCPARTY" SV="1.1">persphysician</v1:cd>
          <v1:firstname>FakeFirstName</v1:firstname>
          <v1:familyname>FakeLastName</v1:familyname>
        </v1:hcparty>
      </v21:author>
    </v21:request>
    </v21:response>
    <v21:acknowledge xmlns:v21="http://www.ehealth.fgov.be/hubservices/core/v2">
      <v21:iscomplete>true</v21:iscomplete>
    </v21:acknowledge>
  </v21:therapeuticlinklist xmlns:v21="http://www.ehealth.fgov.be/hubservices/core/v2"/>
</v2:GetTherapeuticLinkResponse>

```

- **Unsuccessful completion**

```

<?xml version="1.0" encoding="UTF-8"?>
<GetTherapeuticLinkResponse
  xsi:schemaLocation="urn:be:fgov:ehealth:metahub:protocol:v2 ../ehealth-metahub/XSD/metahub_protocol-2_o.xsd"
  xmlns="urn:be:fgov:ehealth:metahub:protocol:v2" xmlns:kmehr="http://www.ehealth.fgov.be/standards/kmehr/schema/v1"
  xmlns:xsi="http://www.w3.org/2001/XMLSchema-instance" xmlns:core="urn:be:fgov:ehealth:metahub:core:v2">
  <core:response>
    <core:id S="ID-KMEHR" SV="1.0">1990000332.20150810090927345</core:id>
    <core:author>
      <kmehr:hcparty>
        <kmehr:id S="ID-HCPARTY" SV="1.0">123456789</kmehr:id>
        <kmehr:cd S="CD-HCPARTY" SV="1.0">orgpublichealth</kmehr:cd>
        <kmehr:name>Responder organization</kmehr:name>
      </kmehr:hcparty>
    </core:author>
    <core:date>2015-08-10</core:date>
    <core:time>09:01:00.0Z</core:time>
  </core:response>

```



```

<core:request>
  <core:id SV="1.0" S="ID-KMEHR">1990000332.20150810090927123</core:id>
  <core:author>
    <kmehr:hcparty>
      <kmehr:id SV="1.0" S="LOCAL" SL="eHP application id">1990000332</kmehr:id>
      <kmehr:cd SV="1.1" S="CD-HCPARTY">application</kmehr:cd>
      <kmehr:name>eHealthConsent</kmehr:name>
    </kmehr:hcparty>
  <core:patient>
    <core:id SV="1.0" S="INSS">7xxxxxxxxx2</core:id>
  </core:patient>
</core:author>
<core:date>2015-08-10</core:date>
<core:time>09:09:27.0Z</core:time>
</core:request>
</core:response>
<core:acknowledge>
  <core:iscomplete>false</core:iscomplete>
  <core:error>
    <kmehr:cd SV="1.0" S="CD-ERROR">TL.INPUT.06</kmehr:cd>
    <kmehr:description L="en-us">Invalid patient identifier</kmehr:description>
  </core:error>
</core:acknowledge>
</GetTherapeuticLinkResponse>

```

### 5.2.6.4 Review of some error codes

When a business error has occurred, then the *iscomplete* field of the *acknowledge* element is set to *false*. The acknowledge block of the reply message sent after an error has occurred looks as follows:

```

<acknowledge>
  <iscomplete>false</iscomplete>
  <error>
    <cd SV="1.0" S="CD-ERROR">error_code</cd>
    <description L="EN">error_description</description>
  </error>
</acknowledge>

```

The table below provides an overview of some possible errors returned by the service for this method.

This list is not exhaustive.

Error type	Code	Description
TL.ACCESS Permission	TL.ACCESS.05	Author - The user is not authorized to perform the operation.
	TL.ACCESS.06	Author - The category of the author is different from the category of the HC party concerned by the therapeutic link.
	TL.ACCESS.07	Author - The patient performing the operation is different from the patient concerned by the therapeutic link.
	TL.ACCESS.08	Author - The HC party is excluded by the patient concerned by the therapeutic link.
	TL.ACCESS.09	Author - Active therapeutic link does not exist between the author and the concerned patient.
	TL.ACCESS.14	Therapeutic Link - Only therapeutic links between patient and HC party are supported.
TL.INPUT Invalid Input	TL.INPUT.05	Author - Missing patient identifier (SSIN)
	TL.INPUT.10	Author - Missing HC party identifier
	TL.INPUT.15	Author - Invalid HC party category
	TL.INPUT.30	Therapeutic link - Missing patient identifier (SSIN)



	TL.INPUT.40	Therapeutic link - Invalid SSIN of the HC party
	TL.INPUT.50	Therapeutic Link - Invalid type of therapeutic link
	TL.INPUT.51	Therapeutic Link - The type of therapeutic link is not allowed for the operation.
	TL.INPUT.65	Therapeutic Link - Invalid time period
	TL.INPUT.70	Proof - Missing proof
	TL.INPUT.80	Proof – Certificate is not made to be signed.
TL.OTHER other	TL.OTHER.20	Author - Authentic source failure for validation

When business errors of the type “Invalid Input” or “Permission” occur, please verify your request message. When a system error occurs and persists, please contact the contact center. (See section 3)

## 5.2.7 Method HasTherapeuticLink

### 5.2.7.1 Functional description

<b>Service name</b>	HasTherapeuticLink
<b>Purpose</b>	<p>This method allows users to check the existence of therapeutic links between a HC party and a patient.</p> <p>This operation takes a patient and HC party identification and an (optional) type of therapeutic link as input. It returns true if a therapeutic link of this type exists between the patient and HC party. If no type is specified, any type of therapeutic link is considered.</p>
<b>Input parameters</b>	<ol style="list-style-type: none"> <li>1) The information about the request: <ul style="list-style-type: none"> <li>• id, date, time of the request;</li> <li>• the identifier of the ‘end-user’ (author of the request);</li> <li>• the number of the therapeutic links to consult (must be less or equal than 1000).</li> </ul> </li> <li>2) A set of criteria relative to the therapeutic link including <b>at least</b>, <ul style="list-style-type: none"> <li>• the identification data of the concerned patient: <ul style="list-style-type: none"> <li>– the SSIN number (mandatory);</li> <li>– optionally, the support card number.</li> </ul> </li> <li>• the identification data of the concerned HC party: <ul style="list-style-type: none"> <li>– If the HC party is a professional <ul style="list-style-type: none"> <li>○ the SSIN number (mandatory) and NIHII number (11 digits) if available;</li> <li>○ the HC party category (mandatory);</li> <li>○ optionally, the first name and the family name of the professional.</li> </ul> </li> <li>– If the HC party is an organization <ul style="list-style-type: none"> <li>○ the NIHII number (8 digits, mandatory);</li> <li>○ the HC party category (mandatory);</li> <li>○ optionally, the name of the organization.</li> </ul> </li> </ul> </li> <li>• Optionally: <ul style="list-style-type: none"> <li>– a (list of) therapeutic link type;</li> </ul> </li> </ul> </li> </ol>
<b>Output parameters</b>	<ol style="list-style-type: none"> <li>4) The information about the response:</li> </ol>



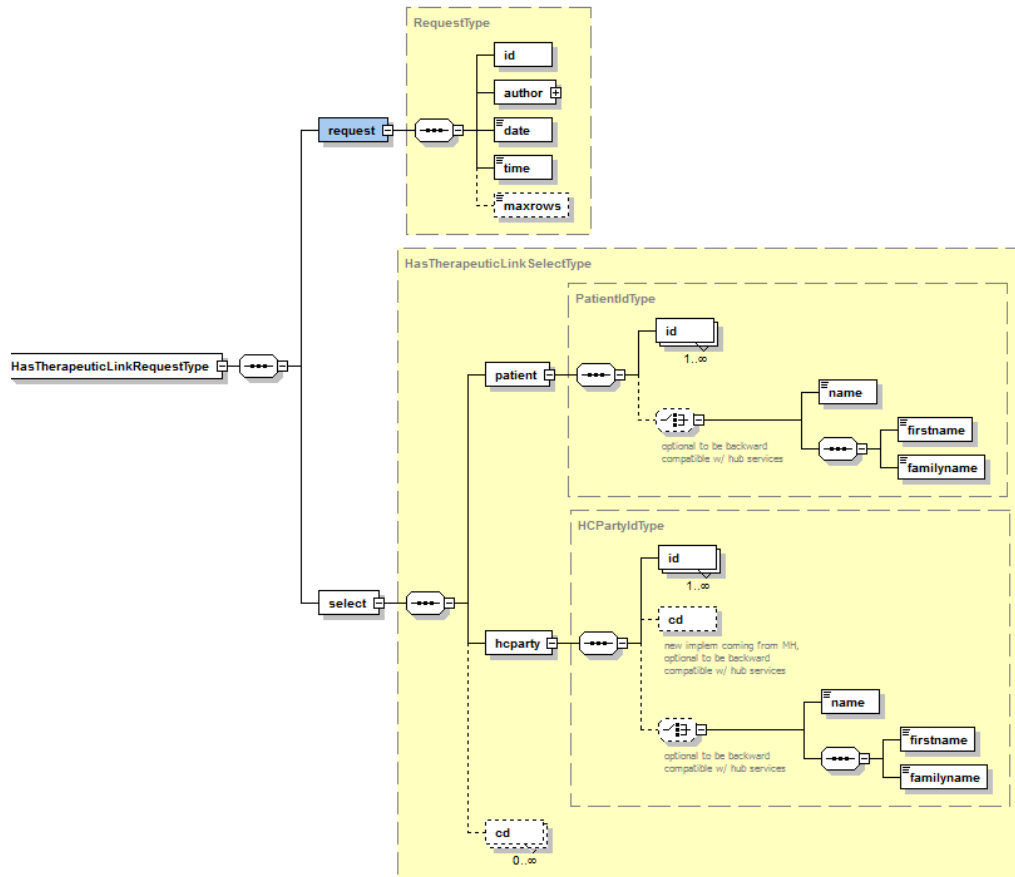
	<ul style="list-style-type: none"> <li>• id, date, time of the response;</li> <li>• identification of the sender of the response;</li> <li>• initial request.</li> </ul> <p>5) An acknowledge indicating the completion of the request:</p> <ul style="list-style-type: none"> <li>• the status of the completion;</li> <li>• optionally the errors (error code and description).</li> </ul> <p>6) A boolean value. It returns true if a therapeutic link of this type exists between the patient and HC party. If no therapeutic links corresponding to the criteria could be found, the value false is returned.</p> <p>If no type is specified, any type of therapeutic link is considered.</p>
<b>Post-condition</b>	The request is logged.
<b>Possible exceptions</b>	<p>1) Technical error.</p> <p>2) Invalid data:</p> <ul style="list-style-type: none"> <li>• sender is not allowed to perform this operation;</li> <li>• the HC party performing the operation does not have the same professional category as the HC professional concerned by the therapeutic link;</li> <li>• invalid patient (invalid SSIN or SSIN does not correspond to the provided support card number);</li> <li>• invalid HC party (incorrect NIHII or NIHII does not correspond to the HC professional category);</li> <li>• invalid therapeutic link type.</li> </ul>
<b>Comments</b>	<ul style="list-style-type: none"> <li>• <b>Identification of patient:</b> his SSIN number identifies the patient.</li> <li>• <b>Identification of HC party:</b> <ul style="list-style-type: none"> <li>– The HC professional is identified by the SSIN number, the NIHII number (if available) and the HC party category;</li> <li>– The NIHII number and the HC party category identify the HC organization.</li> </ul> </li> <li>• <b>Identification of therapeutic link:</b> The therapeutic link is identified by the identifier of the concerned patient, the identifier of the concerned HC party, the type and the period of the relation of the therapeutic link. Thus, it is possible to have several active therapeutic links between patient and a HC party.</li> </ul>

### 5.2.7.2 Input argument “HasTherapeuticLinkRequest”

A request from the user for a therapeutic link consultation looks as follows

**Remark:**

**Please comply as much as possible with the predefined sequence of the elements provided in the Select element as the validation of the request is based on this sequence!**



The ‘request’ parameter gathers the elements relative to:

- the information about the request (id, date, time);
- the author of the request (end-user).

The ‘select’ parameter covers the selection criteria of the therapeutic link.

Parameter	Attributes		Comments
request [1]	id [1]	Identifier of the request within the caller system.	Identifies the <b>message</b> within the system according to ID-KMEHR identification system <sup>31</sup> . It must contain a value with 50 alphanumeric characters as maximum length.

<sup>31</sup> Please refer to <https://www.ehealth.fgov.be/standards/kmehr/content/page/38/header>

	author [1]	Sender of the request represented as a sequence of <i>hcparty</i> elements. It must at least contain the requestor end-user identifier.	This information must be coherent with the information provided in the technical identification and authentication system (i.e. certificate and SAML <sup>32</sup> assertion)
	date [1]	Date of the request.	Date time of the consultation. Format YYYY-MM-DD
	time [1]	Time of the request.	Time of the consultation. Format hh:mm:ss
select [1]	patient [0-1]	Identification of the patient concerned by the therapeutic link (mandatory).	Patient contains the ID of patient: SSIN number.
	hcparty [1-N]	Identification of the HC party concerned by the therapeutic link.	Currently only one HC Party is supported by the service The <i>hcparty</i> must contain the category of the HC party and at least the SSIN (case of professional), NIHII (case of organization) corresponding to its HC party category. The HC party category refers to a value of KMEHR table CD-HCPARTY.
	cd [0-*]	The type identifying the therapeutic link.	Contains a value of the KMEHR table CD-THERAPEUTICLINKTYPE.

**Example:** HasTherapeuticLinkRequest.xml

```
<HasTherapeuticLinkRequest xmlns="http://www.ehealth.fgov.be/hubservices/protocol/v2"
xmlns:kmehr="http://www.ehealth.fgov.be/standards/kmehr/schema/v1"
xmlns:xsi="http://www.w3.org/2001/XMLSchema-instance"
xmlns:core="http://www.ehealth.fgov.be/hubservices/core/v2">
  <core:request>
    <core:id SV="1.0" S="ID-KMEHR">1990000332.20120419094127193</core:id>
    <core:author>
      <kmehr:hcparty>
        <kmehr:id SV="1.0" S="LOCAL"
SL="application_ID">1990000332</kmehr:id>
        <kmehr:cd SV="1.1" S="CD-
HCPARTY">application</kmehr:cd>
        <kmehr:name>eHealth Consent</kmehr:name>
      </kmehr:hcparty>
      <kmehr:hcparty>
        <kmehr:id SV="1.0" S="INSS">5xxxxxxxxx1</kmehr:id>
        <kmehr:id SV="1.0" S="ID-
HCPARTY">12345678910</kmehr:id>
        <kmehr:cd SV="1.1" S="CD-
HCPARTY">persphysician</kmehr:cd>
        <kmehr:firstname>FakeFirstName</kmehr:firstname>
        <kmehr:familyname>FakeLastName</kmehr:familyname>
      </kmehr:hcparty>
    </core:author>
  </core:request>
</HasTherapeuticLinkRequest>
```

<sup>32</sup> See cookbook STS service

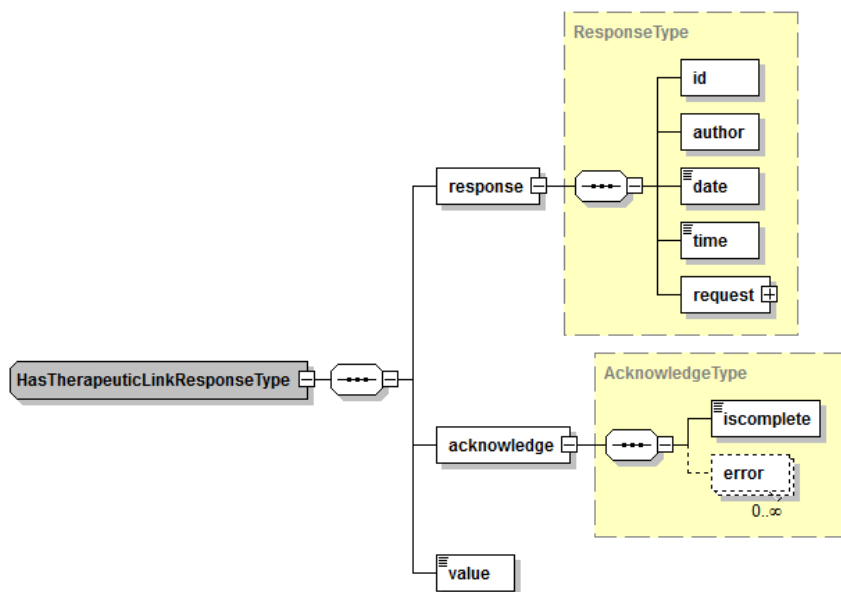
```

</core:author>
<core:date>${=String.format('%tF',new Date())}</core:date>
<core:time>09:41:27.0Z</core:time>
</core:request>
<core:select>
  <core:patient>
    <core:id S="INSS" SV="1.0">8xxxxxxxxx7</core:id>
  </core:patient>
  <core:hcparty>
    <core:id S="INSS" SV="1.0">5xxxxxxxxx1</core:id>
    <core:cd S="CD-HCPARTY" SV="1.1">persphysician</core:cd>
  </core:hcparty>
</core:select>
</HasTherapeuticLinkRequest>

```

### 5.2.7.3 Output argument “HasTherapeuticLinkResponse”

The reply, as sent back by the HasTherapeuticLink method, is discussed below.



The **‘response’** parameter gathers the elements relative to

- the information about the response (id, date, time);
- the sender of the response;
- the initial request.

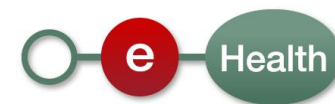
The **‘acknowledge’** parameter gathers the elements relative to

- the service completion (*iscomplete*);
- the errors or exceptions that occurred during the service execution.

The **‘value’** parameter covers the existence of the therapeutic link:

- true if a therapeutic link exists between the patient and HC party
- false if no therapeutic links corresponding to the criteria could be found

Parameter	Attributes		Comments
response[1]	id [1]	Identifier of the response within the responder system.	
	author [1]	Sender of the response.	
	date [1]	Date of the response (YYYY-MM-DD)	
	time [1]	Time of the response (hh:mm:ss)	
	request [1]	Initial request.	
acknowledge[1]	iscomplete [1]	Indicates if the execution has been successfully completed.	If the conditions were fulfilled to compute a list of results – even empty -, iscomplete is set to 'true'; it is set to 'false' otherwise.
	error [0-*]	Indicates the error/exception descriptions.	
value [1]	The boolean value of the result : <ul style="list-style-type: none"> <li>• true if a therapeutic link exists between the patient and HC party</li> <li>• false if no therapeutic links corresponding to the criteria could be found</li> </ul>		If no type is specified, any type of therapeutic link is considered.





## Example: HasTherapeuticLinkResponse.xml

- **Successful completion with a therapeutic link found**

```
<v2:HasTherapeuticLinkResponse xmlns:v2="http://www.ehealth.fgov.be/hubservices/protocol/v2">
  <v21:response xmlns:v21="http://www.ehealth.fgov.be/hubservices/core/v2">
    <v21:id S="ID-KMEHR" SV="1.0">_46424ff7db58f61d0f43315395c7f7de</v21:id>
    <v21:author>
      <v1:hcparty xmlns:v1="http://www.ehealth.fgov.be/standards/kmehr/schema/v1">
        <v1:id S="ID-HCPARTY" SV="1.0">123456789</v1:id>
        <v1:cd S="CD-HCPARTY" SV="1.1">orgpublichealth</v1:cd>
        <v1:name>eHealth platform</v1:name>
      </v1:hcparty>
    </v21:author>
    <v21:date>2018-10-08</v21:date>
    <v21:time>17:04:36</v21:time>
    <core:request xmlns:v1="http://www.ehealth.fgov.be/standards/kmehr/schema/v1"
xmlns="http://www.ehealth.fgov.be/hubservices/protocol/v2"
xmlns:kmehr="http://www.ehealth.fgov.be/standards/kmehr/schema/v1"
xmlns:core="http://www.ehealth.fgov.be/hubservices/core/v2" xmlns:wsu="http://docs.oasis-
open.org/wss/2004/01/oasis-200401-wss-wssecurity-utility-1.0.xsd"
xmlns:xsi="http://www.w3.org/2001/XMLSchema-instance">
      <core:id S="ID-KMEHR" SV="1.0">1990000332.20120419094127193</core:id>
      <core:author>
        <kmehr:hcparty>
          <kmehr:id S="LOCAL" SL="application_ID"
SV="1.0">1990000332</kmehr:id>
          <kmehr:cd S="CD-HCPARTY" SV="1.1">application</kmehr:cd>
          <kmehr:name>eHealth Consent</kmehr:name>
        </kmehr:hcparty>
        <kmehr:hcparty>
          <kmehr:id S="INSS" SV="1.0">5xxxxxxxxx1</kmehr:id>
          <kmehr:id S="ID-HCPARTY" SV="1.0">12345678910</kmehr:id>
          <kmehr:cd S="CD-HCPARTY" SV="1.1">persphysician</kmehr:cd>
          <kmehr:firstname>FakeFirstName</kmehr:firstname>
          <kmehr:familyname>FakeLastName</kmehr:familyname>
        </kmehr:hcparty>
      </core:author>
      <core:date>2018-10-08</core:date>
      <core:time>09:41:27.0Z</core:time>
    </core:request>
  </v21:response>
  <v21:acknowledge xmlns:v21="http://www.ehealth.fgov.be/hubservices/core/v2">
    <v21:iscomplete>true</v21:iscomplete>
  </v21:acknowledge>
  <v21:value xmlns:v21="http://www.ehealth.fgov.be/hubservices/core/v2">true</v21:value>
</v2:HasTherapeuticLinkResponse>
```

- **Unsuccessful completion**

```
<v2:HasTherapeuticLinkResponse>
  <v21:response>
    <v21:id S="ID-KMEHR" SV="1.0">__FRNLPA1NCBHG</v21:id>
    <v21:author>
      <v1:hcparty>
        <v1:id S="ID-HCPARTY" SV="1.0">123456789</v1:id>
        <v1:cd S="CD-HCPARTY" SV="1.1">orgpublichealth</v1:cd>
        <v1:name>eHealth platform</v1:name>
      </v1:hcparty>
    </v21:author>
    <v21:date>2018-10-08</v21:date>
    <v21:time>17:47:52</v21:time>
    <v21:request>
      <core:id S="ID-KMEHR" SV="1.0"
xmlns="http://www.ehealth.fgov.be/hubservices/protocol/v2"
xmlns:kmehr="http://www.ehealth.fgov.be/standards/kmehr/schema/v1"
xmlns:core="http://www.ehealth.fgov.be/hubservices/core/v2"
xmlns:xsi="http://www.w3.org/2001/XMLSchema-instance">1990000332.20120419094127193</core:id>
```



```

        <core:author xmlns="http://www.ehealth.fgov.be/hubservices/protocol/v2"
xmlns:kmehr="http://www.ehealth.fgov.be/standards/kmehr/schema/v1"
xmlns:core="http://www.ehealth.fgov.be/hubservices/core/v2"
xmlns:xsi="http://www.w3.org/2001/XMLSchema-instance">
        <kmehr:hcparty>
        <kmehr:id S="LOCAL" SL="application_ID"
SV="1.0">1990000332</kmehr:id>
        <kmehr:cd S="CD-HCPARTY" SV="1.1">application</kmehr:cd>
        <kmehr:name>eHealth Consent</kmehr:name>
        </kmehr:hcparty>
        <kmehr:hcparty>
        <kmehr:id S="INSS" SV="1.0">5xxxxxxxxx1</kmehr:id>
        <kmehr:id S="ID-HCPARTY" SV="1.0">12345678910</kmehr:id>
        <kmehr:cd S="CD-HCPARTY" SV="1.1">persphysician</kmehr:cd>
        <kmehr:firstname>FakeFirstName</kmehr:firstname>
        <kmehr:familyname>FakeLastName</kmehr:familyname>
        </kmehr:hcparty>
        </core:author>
        <core:date xmlns="http://www.ehealth.fgov.be/hubservices/protocol/v2"
xmlns:kmehr="http://www.ehealth.fgov.be/standards/kmehr/schema/v1"
xmlns:core="http://www.ehealth.fgov.be/hubservices/core/v2"
xmlns:xsi="http://www.w3.org/2001/XMLSchema-instance">2018-10-08</core:date>
        <core:time xmlns="http://www.ehealth.fgov.be/hubservices/protocol/v2"
xmlns:kmehr="http://www.ehealth.fgov.be/standards/kmehr/schema/v1"
xmlns:core="http://www.ehealth.fgov.be/hubservices/core/v2"
xmlns:xsi="http://www.w3.org/2001/XMLSchema-instance">09:41:27.0Z</core:time>
        </v21:request>
    </v21:response>
    <v21:acknowledge>
        <v21:iscomplete>false</v21:iscomplete>
        <v21:error>
            <v1:cd S="CD-ERROR" SV="1.0">TL.INPUT.40</v1:cd>
            <v1:description L="en">Therapeutic link - Invalid SSIN of the the HC
party</v1:description>
        </v21:error>
    </v21:acknowledge>
</v2:HasTherapeuticLinkResponse>

```

#### 5.2.7.4 Review of some error codes

When a business error has occurred, then the *iscomplete* field of the *acknowledge* element is set to *false*. The acknowledge block of the reply message sent after an error has occurred looks as follows:

```

<acknowledge>
    <iscomplete>false</iscomplete>
    <error>
        <cd SV="1.0" S="CD-ERROR">error_code</cd>
        <description L="EN">error_description</description>
    </error>
</acknowledge>

```

The table below provides an overview of some possible errors returned by the service for this method.

This list is not exhaustive.

Error type	Code	Description
TL.ACCESS Permission	TL.ACCESS.05	Author - The user is not authorized to perform the operation.
	TL.ACCESS.06	Author - The category of the author is different from the category of the HC party concerned by the therapeutic link.
	TL.ACCESS.07	Author - The patient performing the operation is different from the patient concerned by the therapeutic link.
	TL.ACCESS.08	Author - The HC party is excluded by the patient concerned by the therapeutic link.



	TL.ACCESS.09	Author - Active therapeutic link does not exist between the author and the concerned patient.
	TL.ACCESS.14	Therapeutic Link - Only therapeutic links between patient and HC party are supported.
TL.INPUT Invalid Input	TL.INPUT.05	Author - Missing patient identifier (SSIN)
	TL.INPUT.10	Author - Missing HC party identifier
	TL.INPUT.15	Author - Invalid HC party category
	TL.INPUT.30	Therapeutic link - Missing patient identifier (SSIN)
	TL.INPUT.40	Therapeutic link - Invalid SSIN of the HC party
	TL.INPUT.50	Therapeutic Link - Invalid type of therapeutic link
	TL.INPUT.51	Therapeutic Link - The type of therapeutic link is not allowed for the operation.
TL.OTHER other	TL.OTHER.20	Author - Authentic source failure for validation

When business errors of the type “Invalid Input” or “Permission” occur, please verify your request message. When a system error occurs and persists, please contact the contact center. (See section 3)

## 5.2.8 Proof<sup>33</sup>

### 5.2.8.1 Functional definition

A proof represents the ‘technical’ means used to ‘prove’ the therapeutic relation. More generally, a proof can be associated to an operation performed on a therapeutic link. Those proofs can have various ‘natures’ represented by the ‘type of the proof’. Those types of proof are part of the open list of proof published at

<https://www.ehealth.fgov.be/standards/kmehr/content/page/tables/197/proof-type>

Currently, eHealth platform supports only these cards and these types of proof:

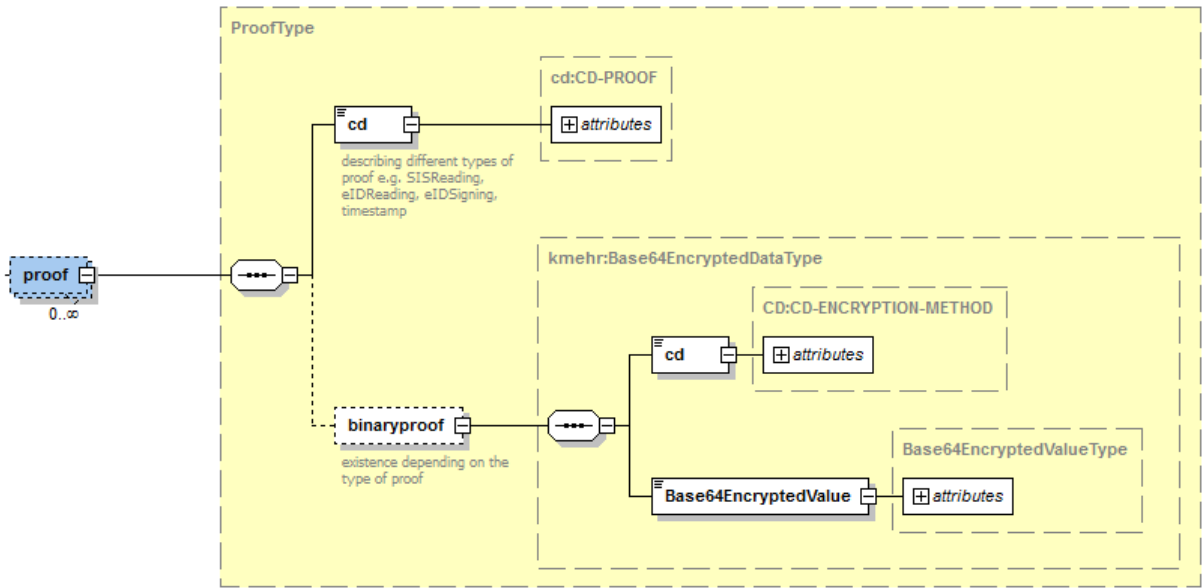
- *Card eID vs Proof*
  - *‘eidreading’*
  - *‘eidencoding\_housecall’*
  - *‘eidencoding\_nocard’*
  - *‘eidencoding\_techproblem’*
  - *‘eidsigning’ (e-ID reading with PIN code)*
- *Card ISI+ vs Proof: ‘isireading’*

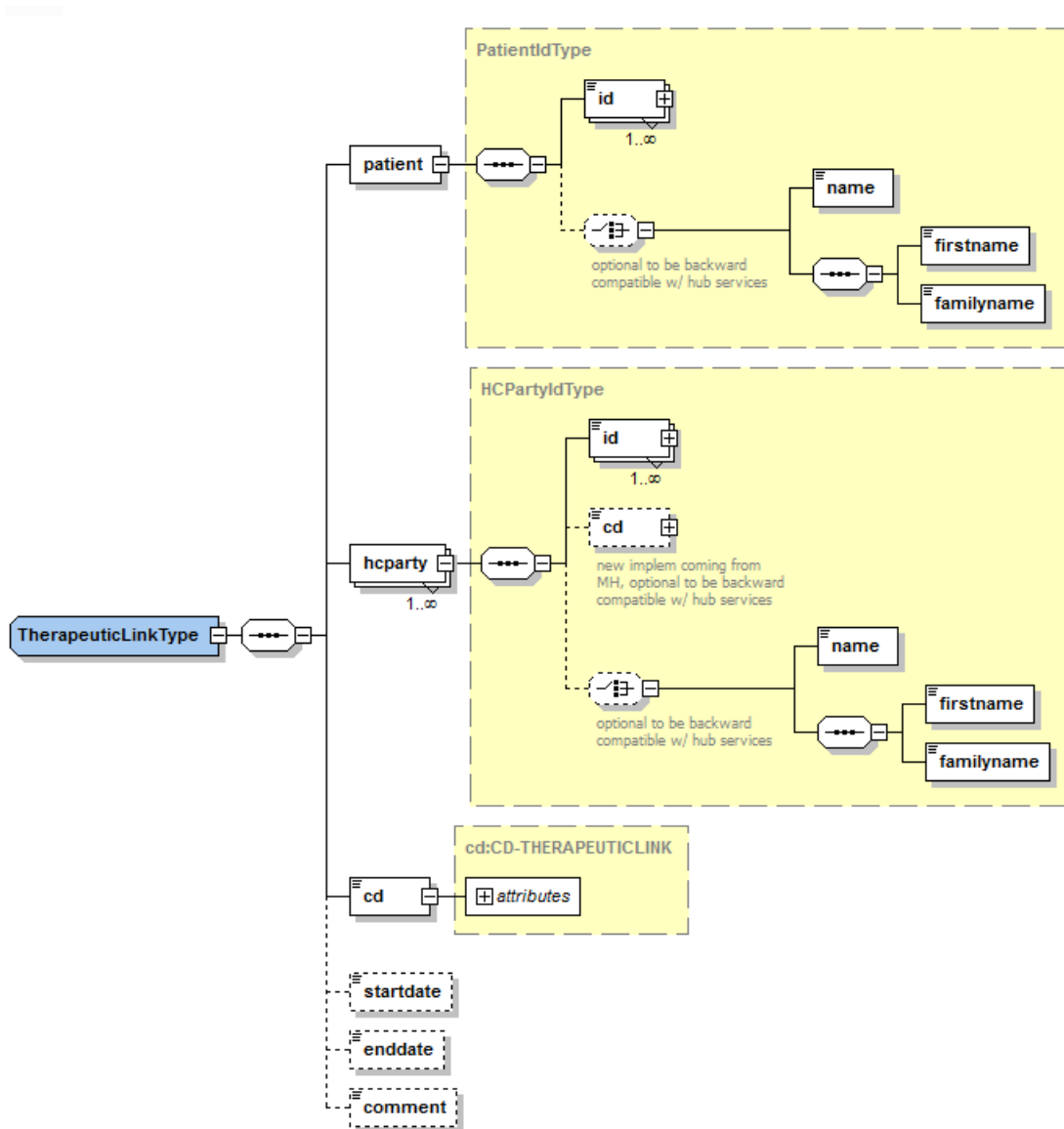
The ‘reading’ or the ‘encoding’ types consist of the reading or the encoding of the patient Belgian electronic identity card, the Belgian social identity card (ISI+) to retrieve the patient SSIN and support card number. They are required to manage non-referral therapeutic links whilst the management of referral therapeutic links or the extension of period of validity of non-referral therapeutic links requires the ‘eidsigning’ type of proof.

The ‘signing’ consists of the reading of Belgian electronic identity card with PIN code entering. This signature involves binary operations. This binary proof is a digital signature. The format of the binary proof can remain valid over long periods. This includes evidence to its validity even if the signer or verifying party later attempts to deny (i.e., repudiates) the validity of the signature.

The following figure describes the composition of the xsd proof element.

<sup>33</sup> The concept of the proof is not applied when the author is Patient (Citizen)





The proof is made on the existing therapeutic link element of the therapeutic link xml schema design. This part signed is composed of:

- patient identification
  - patient SSIN
  - patient electronic id card number
  - patient name or first name and family name
- author identification
  - author SSIN, if any
  - author NIHII, if any
  - author HC professional category e.g. 'physician', 'nurse'...
- the context of therapeutic link.
- the start date and the end date representing the period of validity of the signature. During this period, the signature is reusable.
- The comment may be left empty.

Once the mentioned information is signed, it is submitted to a validation except the context of the therapeutic link hence the context is set to a default value 'ignored.'

### 5.2.8.2 Technical definition

There are 3 methods available to create the required proofs; it's the task of the caller to choose the correct type for the therapeutic link (see specification)

#### Example of Proof

```
...
<core:proof xmlns:kmehr="http://www.ehealth.fgov.be/standards/kmehr/schema/v1"
xmlns:core="http://www.ehealth.fgov.be/hubservices/core/v2">
  <core:cd SV="1.1" S="CD-PROOFTYPE">eidsigning</core:cd>
  <core:binaryproof>
    <kmehr:cd SV="1.0" S="CD-ENCRYPTION-METHOD">CMS</kmehr:cd>
    <kmehr:Base64EncryptedValue ">... </kmehr:Base64EncryptedValue>
  </core:binaryproof>
</core:proof>
...
```

#### Example of content of base64encryptedValue before signing

For the content the xml type TherapeuticlinkType is reused, but it has a different meaning: it simply indicates that the HC party performs this action for the patient, and is proving that the patient is present. It may be seen as a temporary mandate for the HC party.

Example xml, with some comments in red

```
...
  <therapeuticlink xmlns="http://www.ehealth.fgov.be/hubservices/core/v2">
    <patient>
      <!-- retrieved from eid card -->
      <!-- mandatory -->
      <id SV="1.0" S="INSS">{niss number patient}</id>
      <!-- optional -->
      <id SV="1.0" S="EID-CARDNO">{eid card number patient}</id>
      <!-- optional -->
      <firstname>{first name patient}</firstname>
      <!-- optional -->
      <familyname>{last name patient}</familyname>
    </patient>
    <hcparty>
      <!-- retrieved from request author -->
      <!-- one of INSS of ID-HCPARTY is mandatory -->
      <id SV="1.0" S="INSS">{niss number professional}</id>
      <id SV="1.0" S="ID-HCPARTY">{nihii number professional}</id>
      <!-- mandatory -->
      <cd SV="1.1" S="CD-HCPARTY">{category professional}</cd>
      <!-- optional -->
      <firstname>{firstname professional}</firstname>
      <!-- optional -->
      <familyname>{last name professional}</familyname>
    </hcparty>
    <!-- since this part is not actually a therapeuticlink ( type is reused ) we put the type to ignored -->
    <cd SV="1.0" S="CD-THERAPEUTICLINKTYPE">ignored</cd>
    <!-- the current time -->
    <startdate>2013-04-29</startdate>
    <!-- we take a time five minutes in the future; to allow operations around midnight, only the date remains , which just before
    midnight could be the next day -->
    <enddate>2013-04-29</enddate>
  </therapeuticlink>...
```

The content in the binary proof follows the Cryptographic Message Syntax. For further references see ietf - RFC-3852 and RFC-5126.

The credential from the eID is the one with the alias 'Signature' (Non-repudiation credential)



To be practical, we will add some code snippets in Java and .NET, to demonstrate the creation of such a signature. This code creates a CMSSignedDataGenerator with BouncyCastle, who will create a digest and sign it with the non-repudiation certificate.

#### Java

```
CMSProcessable content = new CMSProcessableByteArray({byte array with content to sign});

CMSSignedDataGenerator generator = new CMSSignedDataGenerator();

generator.addSigner({private key from credential}, {certificate from credential},
CMSSignedGenerator.DIGEST_SHA1);

Certificate[] certificateChain = {certificate chain from credential}

CertStore certStore = CertStore.getInstance("Collection", new
CollectionCertStoreParameters(Arrays.asList(certificateChain)), "BC");

generator.addCertificatesAndCRLs(certStore);

CMSSignedData signedData = generator.generate(content, true, {provider name from
credential}); // true indicates we want to encapsulate the encrypted data in the
result

BinaryProof binaryProof = new BinaryProof(CMS, signedData.getEncoded());
```

#### .Net

```
CmsProcessable msg = new CmsProcessableByteArray(Encoding.ASCII.GetBytes({byte
array with content to sign}));

IList certList = new ArrayList();

certList.Add(SignCert);

IX509Store x509Certs = X509StoreFactory.Create("Certificate/Collection", new
X509CollectionStoreParameters(certList));

CmsSignedDataGenerator gen = new CmsSignedDataGenerator();

gen.AddSigner(SignKP.Private, SignCert, CmsSignedDataGenerator.DigestShal);

gen.AddCertificates(x509Certs);

CmsSignedData signedData = gen.Generate(msg, true); // true indicates we want to
encapsulate the encrypted data in the result
```



## 6. Risks and security

### 6.1 Security

#### 6.1.1 Business security

In case the development adds an additional use case based on an existing integration, the eHealth platform must be informed at least one month in advance with a detailed estimate of the expected load. This will ensure an effective capacity management.

In case of technical issues on the WS, the partner may obtain support from the contact center (See chapter 3).

In case the eHealth platform finds a bug or vulnerability in its software, the partner is advised to update his application with the newest version of the software within 10 business days.

In case the partner finds a bug or vulnerability in the software or WS delivered by the eHealth platform, he is obliged to contact and inform the eHealth platform immediately and he is not allowed to publish this bug or vulnerability in any case.

#### 6.1.2 Web service

WS security used in this manner is in accordance with the common standards. Your call will provide:

- SSL one way
- Time-to-live of the message: one minute.
- Signature of the timestamp, body, and binary security token. This will allow the eHealth platform to verify the integrity of the message and the identity of the message author.
- No encryption on the message.

#### 6.1.3 The use of username, password and token

The username, password, and token are strictly personal and are not allowed to transfer.

Every user takes care of his username, password and token and is forced to confidentiality of it. Until the inactivation, every user is also responsible for every use, which includes the use by a third party.



# 7. Test and release procedure

## 7.1 Procedure

This chapter explains the procedures for testing and releasing an application in acceptance or production.

### 7.1.1 Initiation

If you intend to use the eHealth service, please contact [info@ehealth.fgov.be](mailto:info@ehealth.fgov.be). The project department will provide you with the necessary information and mandatory documents.

### 7.1.2 Development and test procedure

You have to develop a client in order to connect to our WS. Most of the required integration info to integrate is published on the eHealth portal.

In some cases, the eHealth platform provides you with a mock-up service or test cases in order for you to test your client before releasing it in the acceptance environment.

### 7.1.3 Release procedure

When development tests are successful, you can request to access the eHealth acceptance environment.

From this moment, you start integration and acceptance tests. The eHealth platform suggests testing during at least one month.

After successful acceptance tests, the partner sends his test results and performance results with a sample of “eHealth request” and “eHealth answer” to the eHealth point of contact by email.

Then eHealth platform and the partner agree on a release date. The eHealth platform prepares the connection to the production environment and provides the partner with the necessary information. During the release day, the partner provides the eHealth platform with feedback on the test and performance tests.

For further information and instructions, please contact: [integration-support@ehealth.fgov.be](mailto:integration-support@ehealth.fgov.be).

### 7.1.4 Operational follow-up

Once in production, the partner using the eHealth service for one of his applications will always test first in the acceptance environment before releasing any adaptations of its application in production. In addition, he will inform eHealth on the progress and test period.

## 7.2 Test cases

eHealth recommends performing tests for all of the following cases:

- PutTherapeuticLink: successful declaration of a therapeutic link.
- RevokeTherapeuticLink: successful revocation of a therapeutic link.
- GetTherapeuticLink: successful retrieving a (list of) therapeutic link.
- HasTherapeuticLink : successful check of the existence of a therapeutic link.

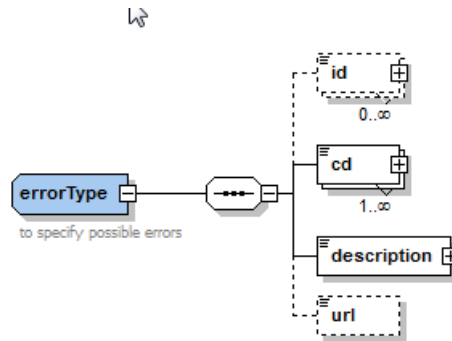
In addition, the organization should also run negative test cases.



## 8. Error and failure messages

### 8.1 Business errors

Below you will find the description of the business errors, which can occur in Therapeutic Link WS (common to all errors returned by the service):



Field name	Descriptions
Id	Foreseen to handle the id of the failed operation
Cd	The error code describing the type of the error. “cd” is a generic type described in the KMEHR standard, see also section:Generic structure.
Description	This field contains a short text description of the error. The attribute L of this field is the language code that can be set, for example, to “EN” for English.
url	Currently, the <i>url</i> field is unused.

The error codes of the Therapeutic Link WS are described hereunder

Error type	Code	Description
TL.ACCESS Permission	TL.ACCESS.05	Author - The user is not authorized to perform the operation.
	TL.ACCESS.06	Author - The category of the author is different from the category of the HC party concerned by the therapeutic link.
	TL.ACCESS.07	Author - The patient performing the operation is different from the patient concerned by the therapeutic link.
	TL.ACCESS.08	Author - The HC party is excluded by the patient concerned by the therapeutic link.
	TL.ACCESS.09	Author - Active therapeutic link does not exist between the author and the concerned patient.

	TL.ACCESS.10	Therapeutic Link - A valid therapeutic link exists.
	TL.ACCESS.11	Therapeutic Link - Therapeutic link not found.
	TL.ACCESS.12	Therapeutic Link - Therapeutic Link already revoked or could not be revoked.
	TL.ACCESS.14	Therapeutic Link - Only therapeutic links between patient and HC party are supported.
	TL.ACCESS.15	The info provided in the author must be the same as the info of the session (provided in STS token).
	TL.ACCESS.16	The id of the provided Author HC party must be the same as the id of the HC party concerned by therapeutic links.
	TL.ACCESS.17	Author - Only one end user is allowed.
	TL.ACCESS.21	Author - Authentic source failure for enrichment.
	TL.ACCESS.30	No mandate was found between the patient and the author.
	TL.ACCESS.31	The mandate between the patient and the author is inactive.
	TL.ACCESS.32	The mandate between the patient and the author is expired.
	TL.ACCESS.33	The patient is not a recognised child of the author.
TL.INPUT Invalid Input	TL.INPUT.00	Invalid transaction identifier
	TL.INPUT.05	Author - Missing patient identifier (SSIN)
	TL.INPUT.06	Author - Invalid patient identifier
	TL.INPUT.07	Author - Invalid patient INSS - support card number pair
	TL.INPUT.10	Author - Missing HC party identifier
	TL.INPUT.10.01	Author - Invalid HC party identifier
	TL.INPUT.11	Author - Invalid SSIN of the HC party
	TL.INPUT.12	Author - Invalid NIHII of the HC party
	TL.INPUT.13	Author - NIHII does not correspond to the HC party SSIN.
	TL.INPUT.14	Author - NIHII does not correspond to the HC party category.
	TL.INPUT.15	Author - Invalid HC party category
	TL.INPUT.16	Author - Missing pharmacy identifier
	TL.INPUT.17	Author - Invalid pharmacy identifier (NIHII)
	TL.INPUT.18	Author - The provided pharmacy is not recognized.
	TL.INPUT.19	Author - Missing pharmacy holder identifier
	TL.INPUT.19.01	Author - The provided pharmacy holder provided in the request is not owner.
TL.INPUT.19.02	Author - The provided responsible is not the responsible of the provided organization.	

TL.INPUT.20	Author - Invalid SSIN of pharmacy holder.
TL.INPUT.20.01	Author - Invalid NIHI of the pharmacy holder
TL.INPUT.21	Author - Invalid SSIN of pharmacy end-user
TL.INPUT.21.01	Author - Invalid NIHI of the pharmacy end-user
TL.INPUT.21.02	Author - Missing SSIN of the pharmacy end-user
TL.INPUT.22	Author - NIHI does not correspond to the pharmacy holder SSIN.
TL.INPUT.22.01	Author - NIHI does not correspond to the HC party SSIN.
TL.INPUT.22.02	Author - NIHI does not correspond to the responsible SSIN.
TL.INPUT.23	Author - NIHI of the pharmacy holder does not correspond to the category.
TL.INPUT.24	Author - The pharmacy holder is not the certified pharmacy holder of the given pharmacy.
TL.INPUT.25	Author - The pharmacist end-user is unknown of the pharmacy.
TL.INPUT.26	Author - Missing organization identifier
TL.INPUT.26.01	Author – Invalid name of the organization
TL.INPUT.27	Author - Invalid organization identifier
TL.INPUT.28	Author – Unsupported organization
TL.INPUT.28.01	Author - The provided organization is not recognized.
TL.INPUT.29	Author – Missing organization’s responsible identifier
TL.INPUT.29.01	Author - Invalid organization's responsible identifier
TL.INPUT.29.02	Author - Invalid organization's responsible category
TL.INPUT.30	Therapeutic link - Missing patient identifier (SSIN)
TL.INPUT.31	Therapeutic link - Invalid patient identifier
TL.INPUT.31.01	Therapeutic link - Invalid patient identifier (more than 1 INSS)
TL.INPUT.31.02	Therapeutic link - Invalid patient identifier (INSS wrongly formatted)
TL.INPUT.31.03	Therapeutic Link - Invalid patient identifier (more than 1 CARDNO)
TL.INPUT.32	Therapeutic link - Missing patient support card number
TL.INPUT.35	Therapeutic link - Missing patient first name or family name
TL.INPUT.40	Therapeutic link - Invalid SSIN of the HC party
TL.INPUT.41	Therapeutic link - Invalid NIHI of the HC party
TL.INPUT.41.01	Therapeutic link - Invalid HC party identifier

TL.INPUT.42	Therapeutic link – NIHI does not correspond to the HC party SSIN
TL.INPUT.43	Therapeutic link – Missing HC party category
TL.INPUT.44	Therapeutic link – Invalid HC party category
TL.INPUT.44.01	Therapeutic link – The category of the targeted HC party is not supported.
TL.INPUT.45	Therapeutic link - NIHI does not correspond to the professional category.
TL.INPUT.45.01	Therapeutic link - SSIN does not correspond to the HC party category.
TL.INPUT.46	Therapeutic link - The pharmacist is not the pharmacy holder.
TL.INPUT.46.01	Therapeutic link - The pharmacist is holder of multiple pharmacies.
TL.INPUT.46.02	Therapeutic link - The pharmacist is no longer pharmacy holder.
TL.INPUT.46.03	The service is not backwards compatible for the requests with another pharmacy holder targeted by therapeutic link than the one mentioned in the token.
TL.INPUT.46.04	The service is not backwards compatible for the requests with pharmacy holder targeted by therapeutic link.
TL.INPUT.47	Therapeutic link – HC party not found
TL.INPUT.48	Therapeutic link – The provided organization is not recognized.
TL.INPUT.48.01	Therapeutic link - Missing organization identifier
TL.INPUT.48.02	Therapeutic link - Invalid organization identifier
TL.INPUT.50	Therapeutic Link – Invalid type of therapeutic link
TL.INPUT.51	Therapeutic Link - The type of therapeutic link is not allowed for the operation
TL.INPUT.52	Therapeutic Link – GMD is not supported
TL.INPUT.60	Therapeutic Link – Invalid period of relation
TL.INPUT.61	Therapeutic Link - The start date of the relation must be equal or greater than the declaration date.
TL.INPUT.62	Therapeutic Link - The start date must be equal to the declaration date.
TL.INPUT.63	Therapeutic Link - The end date of the relation must be equal or greater than the start date.
TL.INPUT.64	Therapeutic Link - The end date is anterior to the current date.
TL.INPUT.64.01	Therapeutic Link - The end date must be equal to the start date plus three months.

TL.INPUT.64.02	Therapeutic Link - The end date must be equal to the start date plus fifteen months.
TL.INPUT.65	Therapeutic Link – Invalid time period
TL.INPUT.67	Therapeutic Link – If the begin date (end date) is provided then the end date (begin date) must be also provided.
TL.INPUT.67.01	Therapeutic Link – Revocation end date must be greater or equal to the original start date of relation and less than the original end date of the relation.
TL.INPUT.67.02	Therapeutic Link – Consultation ‘all’, ‘inactive’ are not supported with time period.
TL.INPUT.69	Therapeutic Link – Missing patient for consultation
TL.INPUT.70	Proof - Missing proof
TL.INPUT.71	Proof - Invalid proof
TL.INPUT.72	Proof - Invalid type of proof
TL.INPUT.73	Proof – The proof is not sufficient to perform the operation.
TL.INPUT.74	Proof - Missing binary proof
TL.INPUT.75	Proof - Invalid method of binary operation
TL.INPUT.76	Proof - Invalid value of the binary proof
TL.INPUT.77	Proof - The proof was not signed by the patient concerned by the therapeutic link.
TL.INPUT.78	Proof – Certificate expired
TL.INPUT.79	Proof – Certificate invalid
TL.INPUT.80	Proof – Certificate is not made to be signed
TL.INPUT.81	Proof – Certificate does not trust CA
TL.INPUT.82	Proof – The binary value of the patient does not correspond to the concerned patient.
TL.INPUT.83	Proof – The binary value of the HC party does not correspond to the HC party author.
TL.INPUT.84	Proof- Card reading does not support binary proof
TL.INPUT.85	The proof element should not be provided
IDS2.INPUT.53	Patient Identification data - Format error
IDS2.INPUT.70	Patient Identification data - Invalid Combination – Card: eID (or Kids or E+) COMBINATION
	Patient Identification data - Invalid Combination – Card: eID (or Kids or E+) lost
	Patient Identification data - Invalid Combination – Card: eID (or Kids or E+) stolen
	Patient Identification data - Invalid Combination – Card: eID (or Kids or E+) destroyed

	Patient Identification data - Invalid Combination – Card: eID (or Kids or E+) expired
	Patient Identification data - Invalid Combination – Card: eID (or Kids or E+) dead
	Patient Identification data - Invalid Combination – Card: eID (or Kids or E+) old card
	Patient Identification data - Invalid Combination – Card: eID (or Kids or E+) cancelled
	Patient Identification data - Invalid Combination – Card: eID (or Kids or E+) card with invalid status
	Patient Identification data - Invalid Combination – Card: eID (or Kids or E+) undefined
	Patient Identification data - Invalid Combination – Card: isi COMBINATION
	Patient Identification data - Invalid Combination – Card: isi lost
	Patient Identification data - Invalid Combination – Card: isi stolen
	Patient Identification data - Invalid Combination – Card: isi destroyed
	Patient Identification data - Invalid Combination – Card: isi expired
	Patient Identification data - Invalid Combination – Card: isi dead
	Patient Identification data - Invalid Combination – Card: isi old card
	Patient Identification data - Invalid Combination – Card: isi cancelled
	Patient Identification data - Invalid Combination – Card: isi card with invalid status
	Patient Identification data - Invalid Combination – Card: isi data identification has changed
	Patient Identification data - Invalid Combination – Card: isi undefined
IDS2.INPUT.75	Patient Identification data – Data not found - MSG00000 – validation error
	Patient Identification data – Data not found - BVS00001 – refused by RN supplier
IDS2.INPUT.80	Patient Identification data - No result - Code: IDS00011 - Description: The CardNumber in the request is not valid (checksum error).
	Patient Identification data - No result - Code: MSG00001 - Description: no response receiving by RRN

		Patient Identification data - No result - Code: MSG00001 - Description: Person deceased
		Patient Identification data - No result - Code: MSG00001 - Description: The SSIN has been radiated
		Patient Identification data - No result - Code: MSG00001 - Description: sorry, this operation is not done yet
		Patient Identification data - No result - Code: MSG00001 - Description: The SSIN has a problem
		Patient Identification data - No result - Code: MSG00005 - Description: The SSIN given in request does not exist
		Patient Identification data - No result - Code: MSG00006 - Description: The SSIN given in request has been replaced
		Patient Identification data - No result - Code: MSG00007 - Description: The SSIN given in request is cancelled
		Patient Identification data - No result - Code: MSG00011 - Description: The SSIN in request is not valid (checksum error)
TL.OTHER Other	TL.OTHER.5	More results than supported by the service
	TL.OTHER.10	The maximum of rows that can be requested is 1000
	TL.OTHER.15	The maximum length of the comment is 256
	TL.OTHER.20	Author - Authentic source failure for validation
	TL.OTHER.22	Therapeutic Link - Authentic source failure for validation
NIP	NIP.AUTH.license	License invalid for Siemens
	NIP.INPUT.RequestValidation	An unexpected error occurred with the message: The proof element should not be provided
	NIP.INPUT.RequestValidation	An unexpected error occurred with the message: select GMD and period not supported
	NIP.META.TIServiceBean	An unexpected error occurred with the message: a valid therapeutic link exists
	NIP.META.TIServiceBean	An unexpected error occurred with the message: no therapeutic link found.
	NIP.GENERIC.TIProcessBean	An unexpected error occurred with the message: be.cin.nippin.kernel.core.exception.GenericCancelingException: therapeutic link already revoked or could not be revoked.
	NIP.AUTH.InvocationTargetException	an unexpected error occurred with the message: be.cin.nippin.kernel.core.exception.GenericException: StatusInfoException:cbe-number not in commoninput (code = 030220002)
	NIP.GENERIC.UndeclaredThrowableException	An unexpected error occurred with the message: javax.persistence.PersistenceException: org.hibernate.exception.GenericJDBCException: Cannot open connection

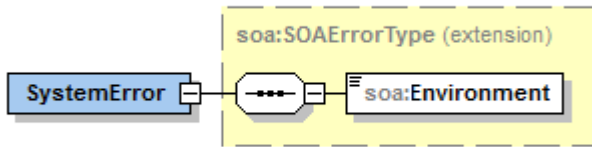


## 8.2 Technical errors

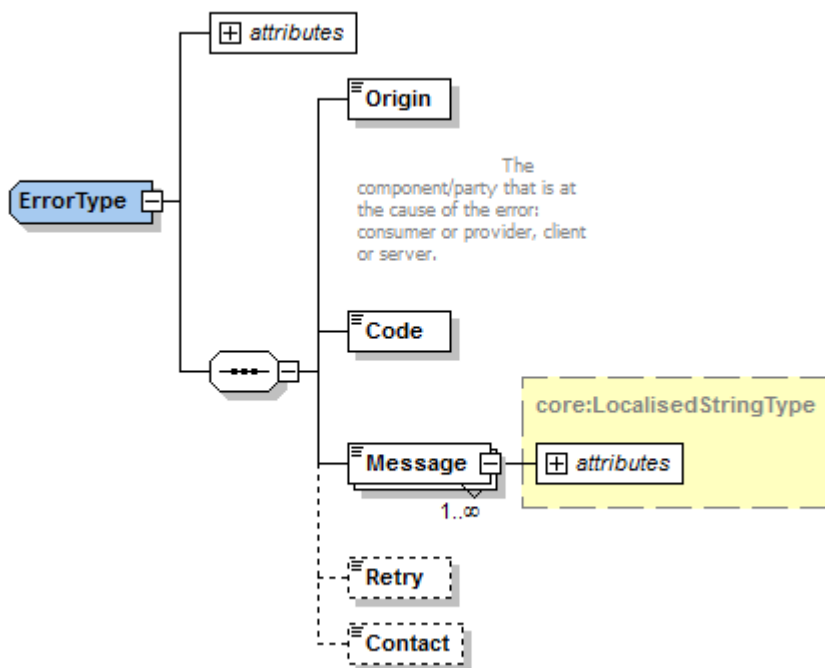
Technical errors are errors inherent to the internal working of a WS. They are returned as SOAP Faults.

The structure is as follows:

- ehealth-errors-chema-soa-1\_0.xsd



- ehealth-errors-schema-core-1\_0.xsd



The SOAP Fault element has the following sub elements:

Element name	Descriptions	Optionality
Faultcode	A code for identifying the fault	Mandatory
Faultstring	A human readable explanation of the fault	Mandatory
Faultactor	Information about who caused the fault to happen (the origin)	Optional
Detail	Holds application specific error information related to the Body element. For example, it could include a java stack trace or any other kind of trace, used internally, to document on the cause of this error.	Optional

The default SOAP fault code values are defined in an extensible manner that allows for new SOAP fault code values to be defined while maintaining backwards compatibility with existing fault code values.

Element name	Descriptions
VersionMismatch	Found an invalid namespace for the SOAP Envelope element
MustUnderstand	An immediate child element of the header element, with the mustUnderstand attribute set to "1", was not understood.
Client	The message was incorrectly formed or contained incorrect information.
Server	There was a problem with the server so the message could not proceed.

### Example:

```
<?xml version="1.0" encoding="UTF-8"?>
<soapenv:Envelope>
  <soapenv:Body>
    <soapenv:Fault>
      <faultcode>soapenv:Client</faultcode>
      <faultstring>SOA-01001</faultstring>
      <detail>
        <soa:SystemError Id="48da1f13-cbc2-40e9-9907-33cc52deabfo">
          <Origin>Consumer</Origin>
          <Code>SOA-01001</Code>
          <Message xml:lang="en">Service call not authenticated.</Message>
          <soa:Environment>Acceptation</soa:Environment>
        </soa:SystemError>
      </detail>
    </soapenv:Fault>
  </soapenv:Body>
</soapenv:Envelope>
```

Description of the possible SOAP fault exceptions

Code	Message
SOA-00001	Service error
SOA-01001	Service call not authenticated
SOA-01002	Service call not authorized
SOA-02001	Service temporarily not available. Please try later.
SOA-02002	Message must be SOAP
SOA-03001	Malformed message
SOA-03002	Message must be SOAP
SOA-03003	Message must contain SOAP body
SOA-03004	WS-I compliance failure
SOA-03005	WSDL compliance failure
SOA-03006	XSD compliance failure
SOA-03007	Message content validation failure